



Heating and Air Conditioning

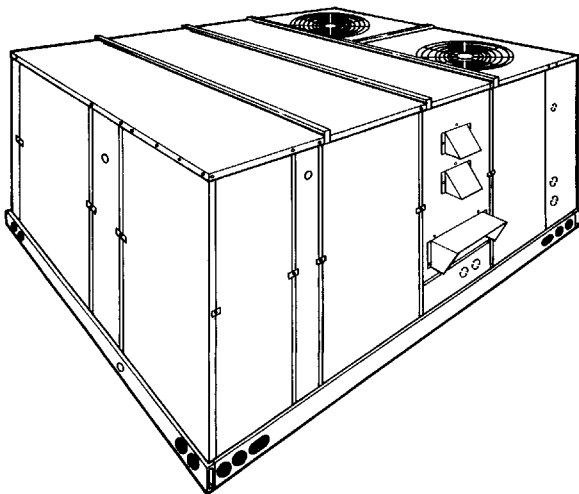
TECHNICAL GUIDE

SINGLE PACKAGE GAS/ELECTRIC UNITS AND SINGLE PACKAGE AIR CONDITIONERS

DH 180, 210 & 240

15, 17.5 & 20 NOMINAL TONS

10.8 EER (15 TONS), 10 EER (17.5 TONS) AND 9.7 EER
(20 TONS)



DESCRIPTION

YORK Sunline Ultra™ units are convertible single package high efficiency rooftops. All models have independent dual refrigerant circuits for efficient part load operation. Although the units are primarily designed for curb mounting on a roof, they can also be slab-mounted at ground level or set on steel beams above a finished roof.

All units include:

- Powder Paint finish that meets ASTM-B-117 1000 hour salt spray standards
- Two-stage cooling provided by dual independent refrigeration circuits with expansion valves, filter-driers, high and low pressure/loss of charge switches and freeze-stats
- Hermetically sealed scroll compressors with crankcase heaters
- Two-stage heating provided by dual independent heat exchangers with aluminized steel tubes, redundant gas valves, spark ignition with induced draft logic
- Permanently lubricated motors
- Bottom or side air discharge configuration capability (field convertible)
- Belt Drive Blower Motor
- Manufactured under the quality standards of ISO9001
- Twenty-four volt control circuit with compressor lock-out
- Zero-25% fixed air damper with hood
- Copper tube/aluminum fin coils
- Easy access to all components
- Rigging holes in base rails for lifting
- Single point power connection
- Complete factory package - tested, charged and wired
- CSA agency approvals on all units

WARRANTY

- Factory Limited Parts Warranty
- One-year parts warranty
- A Five-year parts warranty on the compressor and electric heat elements.
- Ten-year parts warranty on the gas-fired heat exchangers.



TABLE OF CONTENTS

DESCRIPTION	1	5 DH 210 COOLING CAPACITIES (17.5 TON)	17
PRODUCT NOMENCLATURE	3	6 DH 240 COOLING CAPACITIES (20 TON)	18
FEATURES	11	7 ALTITUDE CORRECTION FACTORS	19
FACTORY-INSTALLED OPTIONS	12	8 SUPPLY AIR BLOWER PERFORMANCE (15 TON) - COOLING ONLY 180 MBH - BOTTOM DUCT CONNECTIONS	21
FIELD-INSTALLED ACCESSORIES	14	9 SUPPLY AIR BLOWER PERFORMANCE (17.5 TON) - COOLING ONLY 210 MBH - BOTTOM DUCT CONNECTIONS	22
GUIDE SPECIFICATIONS	38	10 SUPPLY AIR BLOWER PERFORMANCE (20 TON) - COOLING ONLY 240 MBH - BOTTOM DUCT CONNECTIONS	23

LIST OF FIGURES

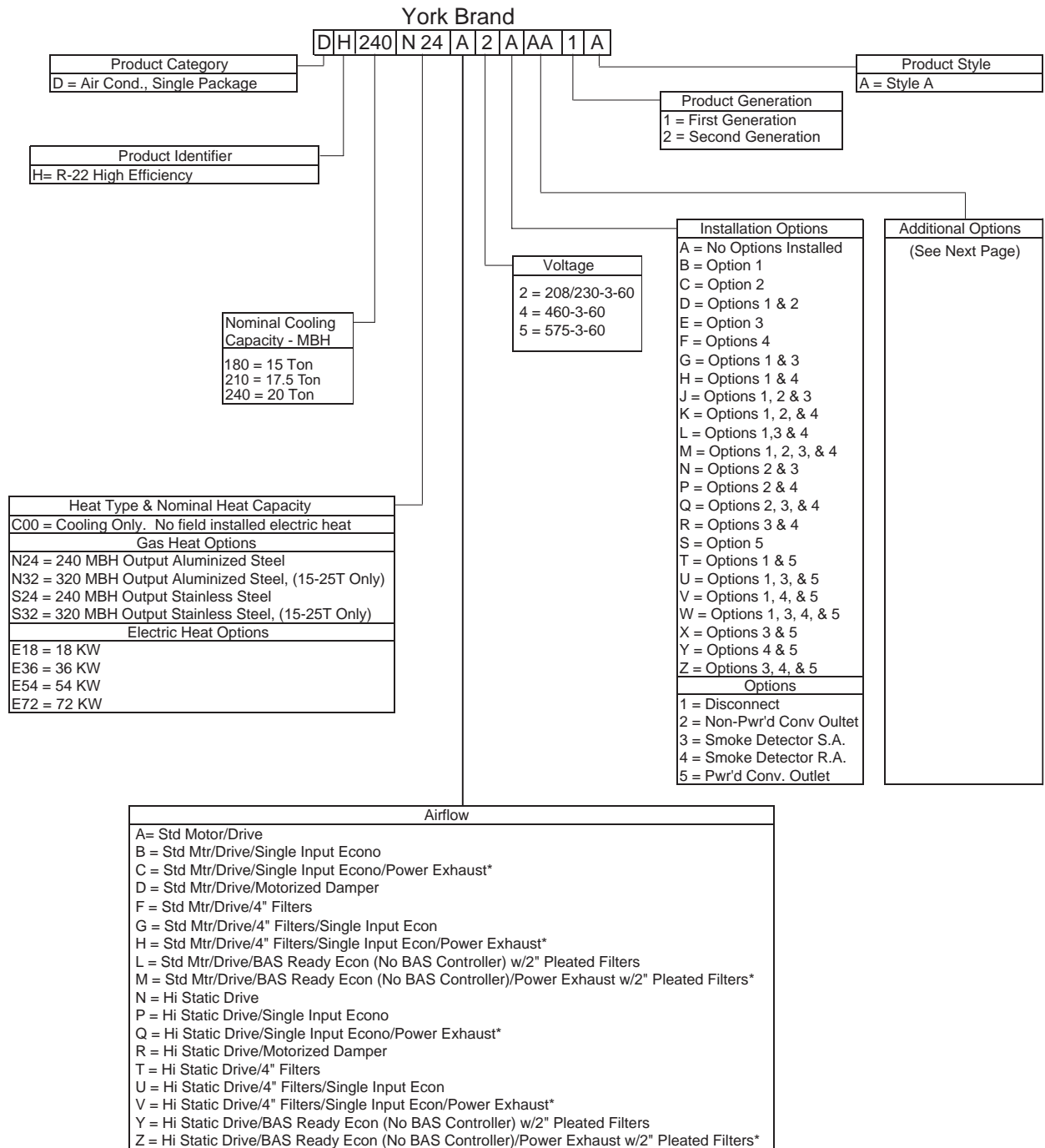
<u>Fig. #</u>		<u>Pg. #</u>	
1	UNIT CUTAWAY	12	11 SUPPLY AIR BLOWER PERFORMANCE (15 TON) - GAS HEAT 180 MBH - BOTTOM DUCT CONNECTIONS
2	ALTITUDE/TEMPERATURE CONVERSION FACTOR 20		24
3	DH FIELD WIRING DIAGRAM	30	12 SUPPLY AIR BLOWER PERFORMANCE (17.5 TON) - GAS HEAT 210 MBH - BOTTOM DUCT CONNECTIONS
4	UNIT DIMENSIONS DH 180, 210 & 240 (FRONT VIEW)	32	25
5	UNIT DIMENSIONS DH 180, 210 & 240 (REAR VIEW)	33	13 SUPPLY AIR BLOWER PERFORMANCE (20 TON) - GAS HEAT 240 MBH - BOTTOM DUCT CONNECTIONS
6	UNIT CENTER OF GRAVITY	33	26
7	UNIT DIMENSIONS DH 180, 210 & 240 (RAINHOOD)	34	14 BLOWER MOTOR AND DRIVE DATA
8	TYPICAL UNIT APPLICATIONS	34	27
9	UNIT 4 POINT LOAD	35	15 STATIC RESISTANCES
10	UNIT 6 POINT LOAD	35	27
11	UNIT ROOF CURB DIMENSIONS	36	16 POWER EXHAUST PERFORMANCE
12	ROOF CURB DUCT OPENINGS DIMENSIONS	36	28
13	CUT AWAY OF ROOF CURB	36	17 DH ELECTRICAL DATA WITHOUT POWERED CONVENIENCE OUTLET
14	TYPICAL ROOFTOP INSTALLATION	37	29
15	SIMPLICITY® CONTROL WIRING DIAGRAM	37	18 DH ELECTRICAL DATA WITH POWERED CONVENIENCE OUTLET
			30
			30
			31
			31
			32
			32
			35
			35

LIST OF TABLES

<u>Tbl. #</u>		<u>Pg. #</u>
1	INDOOR SOUND POWER RATING	15
2	CAPACITY RATINGS - (ARI 360)	15
3	GAS HEAT RATINGS	15
4	DH 180 COOLING CAPACITIES (15 TON)	16

PRODUCT NOMENCLATURE

15-20T Sunline Ultra™ Model Number Nomenclature



PRODUCT NOMENCLATURE - Continued

15-20T Sunline Ultra™ Model Number Nomenclature

Standard Cabinet	
AA	None
AB	Phase Monitor
AC	Coil Guard
AD	Dirty Filter Switch
AE	Phase Monitor & Coil Guard
AF	Phase Monitor & Dirty Filter Switch
AG	Coil Guard & Dirty Filter Switch
AH	Phase Monitor, Coil Guard, & Dirty Filter Switch
AJ	SS Drain Pan
AK	SS Drain Pan & Phase Monitor
AL	SS Drain Pan & Coil Guard
AM	SS Drain Pan & Dirty Filter Switch
AN	SS Drain Pan, Phase Monitor, Coil Guard & Dirty Filter Switch
CA	CPC Controller with Dirty Filter Switch & Air Proving Switch
CB	CPC Controller, DFS, APS & Phase Monitor
CC	CPC Controller, DFS, APS & Coil Guard
CD	CPC Controller, DFS, APS, Phase Monitor, & Coil Guard
CE	CPC Controller, DFS, APS & Technicoat Cond. Coil
CF	CPC Controller, DFS, APS, Technicoat Cond. Coil, & Phase Monitor
CG	CPC Controller, DFS, APS, Technicoat Cond. Coil, & Coil Guard
CH	CPC Controller, DFS, APS, Technicoat Cond. Coil, Phase Monitor, & Coil Guard
CJ	CPC Controller, DFS, APS & Technicoat Evap. Coil
CK	CPC Controller, DFS, APS, Technicoat Evap. Coil, & Phase Monitor
CL	CPC Controller, DFS, APS, Technicoat Evap. Coil, & Coil Guard
CM	CPC Controller, DFS, APS, Technicoat Evap. Coil, Phase Monitor, & Coil Guard
CN	CPC Controller, DFS, APS & Technicoat Evap. & Cond Coils
CP	CPC Controller, DFS, APS, Technicoat Evap. & Cond Coils, & Phase Monitor
CQ	CPC Controller, DFS, APS, Technicoat Evap. & Cond Coils, & Coil Guard
CR	CPC Controller, DFS, APS, Technicoat Evap. & Cond Coils, Phase Monitor, & Coil Guard
CS	CPC Controller, DFS, APS, SS Drain Pan
CT	CPC Controller, DFS, APS, SS Drain Pan, Phase Monitor, & Coil Guard
CU	CPC Controller, DFS, APS, SS Drain Pan, & Technicoat Cond Coils
CV	CPC Controller, DFS, APS, SS Drain Pan, & Technicoat Evap Coil
CW	CPC Controller, DFS, APS, SS Drain Pan, & Technicoat Evap and Cond Coils
CX	CPC Controller, DFS, APS, SS Drain Pan, Phase Monitor, Coil Guard, & Technicoat Evap and Cond Coils
JA	Johnson UNT Controller with Dirty Filter Switch & Air Proving Switch
JB	Johnson UNT Controller, DFS, APS & Phase Monitor
JC	Johnson UNT Controller, DFS, APS & Coil Guard
JD	Johnson UNT Controller, DFS, APS, Phase Monitor, & Coil Guard
JE	Johnson UNT Controller, DFS, APS & Technicoat Cond. Coil
JF	Johnson UNT Controller, DFS, APS, Technicoat Cond. Coil, & Phase Monitor
JG	Johnson UNT Controller, DFS, APS, Technicoat Cond. Coil, & Coil Guard
JH	Johnson UNT Controller, DFS, APS, Technicoat Cond. Coil, Phase Monitor, & Coil Guard
JJ	Johnson UNT Controller, DFS, APS & Technicoat Evap. Coil
JK	Johnson UNT Controller, DFS, APS, Technicoat Evap. Coil, & Phase Monitor
JL	Johnson UNT Controller, DFS, APS, Technicoat Evap. Coil, & Coil Guard
JM	Johnson UNT Controller, DFS, APS, Technicoat Evap. Coil, Phase Monitor, & Coil Guard
JN	Johnson UNT Controller, DFS, APS & Technicoat Evap. & Cond Coils
JP	Johnson UNT Controller, DFS, APS, Technicoat Evap. & Cond Coils, & Phase Monitor
JQ	Johnson UNT Controller, DFS, APS, Technicoat Evap. & Cond Coils, & Coil Guard
JR	Johnson UNT Controller, DFS, APS, Technicoat Evap. & Cond Coils, Phase Monitor, & Coil Guard

Standard Cabinet	
JS	Johnson UNT Controller, DFS, APS, SS Drain Pan
JT	Johnson UNT Controller, DFS, APS, SS Drain Pan, Phase Monitor, & Coil Guard
JU	Johnson UNT Controller, DFS, APS, SS Drain Pan, & Technicoat Cond Coils
JV	Johnson UNT Controller, DFS, APS, SS Drain Pan, & Technicoat Evap Coil
JW	Johnson UNT Controller, DFS, APS, SS Drain Pan, & Technicoat Evap and Cond Coils
JX	Johnson UNT Controller, DFS, APS, SS Drain Pan, Phase Monitor, Coil Guard, & Technicoat Evap and Cond Coils
HA	Honeywell Excel 10 Controller with Dirty Filter Switch & Air Proving Switch
HB	Honeywell Excel 10 Controller, DFS, APS & Phase Monitor
HC	Honeywell Excel 10 Controller, DFS, APS & Coil Guard
HD	Honeywell Excel 10 Controller, DFS, APS, Phase Monitor, & Coil Guard
HE	Honeywell Excel 10 Controller, DFS, APS & Technicoat Cond. Coil
HF	Honeywell Excel 10 Controller, DFS, APS, Technicoat Cond. Coil, & Phase Monitor
HG	Honeywell Excel 10 Controller, DFS, APS, Technicoat Cond. Coil, & Coil Guard
HH	Honeywell Excel 10 Controller, DFS, APS, Technicoat Cond. Coil, Phase Monitor, & Coil Guard
HJ	Honeywell Excel 10 Controller, DFS, APS & Technicoat Evap. Coil
HK	Honeywell Excel 10 Controller, DFS, APS, Technicoat Evap. Coil, & Phase Monitor
HL	Honeywell Excel 10 Controller, DFS, APS, Technicoat Evap. Coil, & Coil Guard
HM	Honeywell Excel 10 Controller, DFS, APS, Technicoat Evap. Coil, Phase Monitor, & Coil Guard
HN	Honeywell Excel 10 Controller, DFS, APS & Technicoat Evap. & Cond Coils
HP	Honeywell Excel 10 Controller, DFS, APS, Technicoat Evap. & Cond Coils, & Phase Monitor
HQ	Honeywell Excel 10 Controller, DFS, APS, Technicoat Evap. & Cond Coils, & Coil Guard
HR	Honeywell Excel 10 Controller, DFS, APS, Technicoat Evap. & Cond Coils, Phase Monitor, & Coil Guard
HS	Honeywell Excel 10 Controller, DFS, APS, SS Drain Pan
HT	Honeywell Excel 10 Controller, DFS, APS, SS Drain Pan, Phase Monitor, & Coil Guard
HU	Honeywell Excel 10 Controller, DFS, APS, SS Drain Pan, & Technicoat Cond Coils
HV	Honeywell Excel 10 Controller, DFS, APS, SS Drain Pan, & Technicoat Evap Coil
HW	Honeywell Excel 10 Controller, DFS, APS, SS Drain Pan, & Technicoat Evap and Cond Coils
HX	Honeywell Excel 10 Controller, DFS, APS, SS Drain Pan, Phase Monitor, Coil Guard, & Technicoat Evap and Cond Coils
NA	Novar ETC-3 Controller with Dirty Filter Switch & Air Proving Switch
NB	Novar ETC-3 Controller, DFS, APS & Phase Monitor
NC	Novar ETC-3 Controller, DFS, APS & Coil Guard
ND	Novar ETC-3 Controller, DFS, APS, Phase Monitor, & Coil Guard
NE	Novar ETC-3 Controller, DFS, APS & Technicoat Cond. Coil
NF	Novar ETC-3 Controller, DFS, APS, Technicoat Cond. Coil, & Phase Monitor
NG	Novar ETC-3 Controller, DFS, APS, Technicoat Cond. Coil, & Coil Guard
NH	Novar ETC-3 Controller, DFS, APS, Technicoat Cond. Coil, Phase Monitor, & Coil Guard
NJ	Novar ETC-3 Controller, DFS, APS & Technicoat Evap. Coil
NK	Novar ETC-3 Controller, DFS, APS, Technicoat Evap. Coil, & Phase Monitor
NL	Novar ETC-3 Controller, DFS, APS, Technicoat Evap. Coil, & Coil Guard
NM	Novar ETC-3 Controller, DFS, APS, Technicoat Evap. Coil, Phase Monitor, & Coil Guard
NN	Novar ETC-3 Controller, DFS, APS & Technicoat Evap. & Cond Coils
NP	Novar ETC-3 Controller, DFS, APS, Technicoat Evap. & Cond Coils, & Phase Monitor
NQ	Novar ETC-3 Controller, DFS, APS, Technicoat Evap. & Cond Coils, & Coil Guard
NR	Novar ETC-3 Controller, DFS, APS, Technicoat Evap. & Cond Coils, Phase Monitor, & Coil Guard
NS	Novar ETC-3 Controller, DFS, APS, SS Drain Pan
NT	Novar ETC-3 Controller, DFS, APS, SS Drain Pan, Phase Monitor, & Coil Guard
NU	Novar ETC-3 Controller, DFS, APS, SS Drain Pan, & Technicoat Cond Coils
NV	Novar ETC-3 Controller, DFS, APS, SS Drain Pan, & Technicoat Evap Coil
NW	Novar ETC-3, DFS, APS, SS Drain Pan, & Technicoat Evap and Cond Coils
NX	Novar ETC-3 Controller, DFS, APS, SS Drain Pan, Phase Monitor, Coil Guard, & Technicoat Evap and Cond Coils
TA	Technicoat Condenser Coil
TB	Technicoat Condenser Coil & Phase Monitor
TC	Technicoat Condenser Coil & Coil Guard
TD	Technicoat Condenser Coil & Dirty Filter Switch
TE	Technicoat Condenser Coil, Phase Monitor, & Coil Guard
TF	Technicoat Condenser Coil, Phase Monitor, & Dirty Filter Switch

Standard Cabinet	
TG	Technicoat Condenser Coil, Coil Guard, & Dirty Filter Switch
TH	Technicoat Condenser Coil, Phase Monitor, Coil Guard, & Dirty Filter Switch
TJ	Technicoat Evaporator Coil
TK	Technicoat Evaporator Coil & Phase Monitor
TL	Technicoat Evaporator Coil & Coil Guard
TM	Technicoat Evaporator Coil & Dirty Filter Switch
TN	Technicoat Evaporator Coil, Phase Monitor, & Coil Guard
TP	Technicoat Evaporator Coil, Phase Monitor, & Dirty Filter Switch
TQ	Technicoat Evaporator Coil, Coil Guard, & Dirty Filter Switch
TR	Technicoat Evaporator Coil, Phase Monitor, Coil Guard, & Dirty Filter Switch
TS	Technicoat Evaporator & Condenser Coils
TT	Technicoat Evaporator & Condenser Coils & Phase Monitor
TU	Technicoat Evaporator & Condenser Coils & Coil Guard
TV	Technicoat Evaporator & Condenser Coils & Dirty Filter Switch
TW	Technicoat Evaporator & Condenser Coils, Phase Monitor, & Coil Guard
TX	Technicoat Evaporator & Condenser Coils, Phase Monitor, & Dirty Filter Switch
TY	Technicoat Evaporator & Condenser Coils, Coil Guard, & Dirty Filter Switch
TZ	Technicoat Evaporator & Condenser Coils, Phase Monitor, Coil Guard, & Dirty Filter Switch
T1	Technicoat Condenser & SS Drain Pan
T4	Technicoat Evaporator & SS Drain Pan
T7	Technicoat Evaporator & Condenser Coils & SS Drain Pan
LA	Simplicity Intelli-Comfort Controller
LB	Simplicity Intelli-Comfort Controller, & Phase Monitor
LC	Simplicity Intelli-Comfort Controller, & Coil Guard
LD	Simplicity Intelli-Comfort Controller, Phase Monitor, & Coil Guard
LE	Simplicity Intelli-Comfort Controller, & Technicoat Cond. Coil
LF	Simplicity Intelli-Comfort Controller, Technicoat Cond. Coil, & Phase Monitor
LG	Simplicity Intelli-Comfort Controller, Technicoat Cond. Coil, & Coil Guard
LH	Simplicity Intelli-Comfort Controller, Technicoat Cond. Coil, Phase Monitor, & Coil Guard
LJ	Simplicity Intelli-Comfort Controller, & Technicoat Evap. Coil
LK	Simplicity Intelli-Comfort Controller, Technicoat Evap. Coil, & Phase Monitor
LL	Simplicity Intelli-Comfort Controller, Technicoat Evap. Coil, & Coil Guard
LM	Simplicity Intelli-Comfort Controller, Technicoat Evap. Coil, Phase Monitor, & Coil Guard
LN	Simplicity Intelli-Comfort Controller, & Technicoat Evap. & Cond Coils
LP	Simplicity Intelli-Comfort Controller, Technicoat Evap. & Cond Coils, & Phase Monitor
LQ	Simplicity Intelli-Comfort Controller, Technicoat Evap. & Cond Coils, & Coil Guard
LR	Simplicity Intelli-Comfort Controller, Technicoat Evap. & Cond Coils, Phase Monitor, & Coil Guard
LS	Simplicity Intelli-Comfort Controller, SS Drain Pan
LT	Simplicity Intelli-Comfort Controller, SS Drain Pan, Phase Monitor, & Coil Guard
LU	Simplicity Intelli-Comfort Controller, SS Drain Pan, & Technicoat Cond Coils
LV	Simplicity Intelli-Comfort Controller, SS Drain Pan, & Technicoat Evap Coil
LW	Simplicity Intelli-Comfort Controller, SS Drain Pan, & Technicoat Evap and Cond Coils
LX	Simplicity Intelli-Comfort Controller, SS Drain Pan, Phase Monitor, Coil Guard, & Technicoat Evap and Cond Coils
WA	Intelli-Comfort w/ModLINC Controller
WB	Intelli-Comfort w/ModLINC Controller, & Phase Monitor
WC	Intelli-Comfort w/ModLINC Controller, & Coil Guard
WD	Intelli-Comfort w/ModLINC Controller, Phase Monitor, & Coil Guard
WE	Intelli-Comfort w/ModLINC Controller, & Technicoat Cond. Coil
WF	Intelli-Comfort w/ModLINC Controller, Technicoat Cond. Coil, & Phase Monitor
WG	Intelli-Comfort w/ModLINC Controller, Technicoat Cond. Coil, & Coil Guard
WH	Intelli-Comfort w/ModLINC Controller, Technicoat Cond. Coil, Phase Monitor, & Coil Guard
WJ	Intelli-Comfort w/ModLINC Controller, & Technicoat Evap. Coil
WK	Intelli-Comfort w/ModLINC Controller, Technicoat Evap. Coil, & Phase Monitor
WL	Intelli-Comfort w/ModLINC Controller, Technicoat Evap. Coil, & Coil Guard

Standard Cabinet	
WM	Intelli-Comfort w/ModLINC Controller, Technicoat Evap. Coil, Phase Monitor, & Coil Guard
WN	Intelli-Comfort w/ModLINC Controller, & Technicoat Evap. & Cond Coils
WP	Intelli-Comfort w/ModLINC Controller, Technicoat Evap. & Cond Coils, & Phase Monitor
WQ	Intelli-Comfort w/ModLINC Controller, Technicoat Evap. & Cond Coils, & Coil Guard
WR	Intelli-Comfort w/ModLINC Controller, Technicoat Evap. & Cond Coils, Phase Monitor, & Coil Guard
WS	Intelli-Comfort w/ModLINC Controller, SS Drain Pan
WT	Intelli-Comfort w/ModLINC Controller, SS Drain Pan, Phase Monitor, & Coil Guard
WU	Intelli-Comfort w/ModLINC Controller, SS Drain Pan, & Technicoat Cond Coils
WV	Intelli-Comfort w/ModLINC Controller, SS Drain Pan, & Technicoat Evap Coil
WW	Intelli-Comfort w/ModLINC Controller, SS Drain Pan, & Technicoat Evap and Cond Coils
WX	Intelli-Comfort w/ModLINC Controller, SS Drain Pan, Phase Monitor, Coil Guard, & Technicoat Evap and Cond Coils

Hinged Filter Door & Toolless Access Cabinet	
BA	Hinged Filter Door & Toolless Access Panels
BB	Phase Monitor, Hinged Filter Door & Toolless Access Panels
BC	Coil Guard, Hinged Filter Door & Toolless Access Panels
BD	Dirty Filter Switch, Hinged Filter Door & Toolless Access Panels
BE	Phase Monitor & Coil Guard, Hinged Filter Door & Toolless Access Panels
BF	Phase Monitor & Dirty Filter Switch, Hinged Filter Door & Toolless Access Panels
BG	Coil Guard & Dirty Filter Switch, Hinged Filter Door & Toolless Access Panels
BH	Phase Monitor, Coil Guard, & Dirty Filter Switch, Hinged Filter Door & Toolless Access Panels
BJ	SS Drain Pan & Hinged Filter Door & Toolless Access Panels
BK	SS Drain Pan & Phase Monitor, Hinged Filter Door & Toolless Access Panels
BL	SS Drain Pan & Coil Guard, Hinged Filter Door & Toolless Access Panels
BM	SS Drain Pan & Dirty Filter Switch, Hinged Filter Door & Toolless Access Panels
BN	SS Drain Pan & Phase Monitor & Coil Guard, Dirty Filter Switch, Hinged Filter Door & Toolless Access Panels
DA	CPC Controller with Dirty Filter Switch & Air Proving Switch, Hinged Filter Door & Toolless Access Panels
DB	CPC Controller, DFS, APS & Phase Monitor, Hinged Filter Door & Toolless Access Panels
DC	CPC Controller, DFS, APS & Coil Guard, Hinged Filter Door & Toolless Access Panels
DD	CPC Controller, DFS, APS, Phase Monitor, & Coil Guard, Hinged Filter Door & Toolless Access Panels
DE	CPC Controller, DFS, APS & Technicoat Cond. Coil, Hinged Filter Door & Toolless Access Panels
DF	CPC Controller, DFS, APS, Technicoat Cond. Coil, & Phase Monitor, Hinged Filter Door & Toolless Access Panels
DG	CPC Controller, DFS, APS, Technicoat Cond. Coil, & Coil Guard, Hinged Filter Door & Toolless Access Panels
DH	CPC Controller, DFS, APS, Technicoat Cond. Coil, Phase Monitor, & Coil Guard, Hinged Filter Door & Toolless Access Panels
DJ	CPC Controller, DFS, APS & Technicoat Evap. Coil, Hinged Filter Door & Toolless Access Panels
DK	CPC Controller, DFS, APS, Technicoat Evap. Coil, & Phase Monitor, Hinged Filter Door & Toolless Access Panels
DL	CPC Controller, DFS, APS, Technicoat Evap. Coil, & Coil Guard, Hinged Filter Door & Toolless Access Panels
DM	CPC Controller, DFS, APS, Technicoat Evap. Coil, Phase Monitor, & Coil Guard, Hinged Filter Door & Toolless Access Panels
DN	CPC Controller, DFS, APS & Technicoat Evap. & Cond Coils, Hinged Filter Door & Toolless Access Panels
DP	CPC Controller, DFS, APS, Technicoat Evap. & Cond Coils, & Phase Monitor, Hinged Filter Door & Toolless Access Panels
DQ	CPC Controller, DFS, APS, Technicoat Evap. & Cond Coils, & Coil Guard, Hinged Filter Door & Toolless Access Panels
DR	CPC Controller, DFS, APS, Technicoat Evap. & Cond Coils, Phase Monitor, & Coil Guard, Hinged Filter Door & Toolless Access Panels
DS	CPC Controller, DFS, APS, SS Drain Pan Hinged Filter Door & Toolless Access Panels
DT	CPC Controller, DFS, APS, SS Drain Pan, Phase Monitor, & Coil Guard Hinged Filter Door & Toolless Access Panels
DU	CPC Controller, DFS, APS, SS Drain Pan, & Technicoat Cond Coils Hinged Filter Door & Toolless Access Panels
DV	CPC Controller, DFS, APS, SS Drain Pan, & Technicoat Evap Coil Hinged Filter Door & Toolless Access Panels
DW	CPC Controller, DFS, APS, SS Drain Pan, & Technicoat Evap and Cond Coils Hinged Filter Door & Toolless Access Panels
DX	CPC Controller, DFS, APS, SS Drain Pan, Phase Monitor, Coil Guard, & Technicoat Evap and Cond Coils Hinged Filter Door & Toolless Access Panels
EA	Johnson UNT Controller with Dirty Filter Switch & Air Proving Switch, Hinged Filter Door & Toolless Access Panels
EB	Johnson UNT Controller, DFS, APS & Phase Monitor, Hinged Filter Door & Toolless Access Panels
EC	Johnson UNT Controller, DFS, APS & Coil Guard, Hinged Filter Door & Toolless Access Panels
ED	Johnson UNT Controller, DFS, APS, Phase Monitor, & Coil Guard, Hinged Filter Door & Toolless Access Panels
EE	Johnson UNT Controller, DFS, APS & Technicoat Cond. Coil, Hinged Filter Door & Toolless Access Panels

Hinged Filter Door & Toolless Access Cabinet	
EF	Johnson UNT Controller, DFS, APS, Technicoat Cond. Coil, & Phase Monitor, Hinged Filter Door & Toolless Access Panels
EG	Johnson UNT Controller, DFS, APS, Technicoat Cond. Coil, & Coil Guard, Hinged Filter Door & Toolless Access Panels
EH	Johnson UNT Controller, DFS, APS, Technicoat Cond. Coil, Phase Monitor, & Coil Guard, Hinged Filter Door & Toolless Access Panels
EJ	Johnson UNT Controller, DFS, APS & Technicoat Evap. Coil, Hinged Filter Door & Toolless Access Panels
EK	Johnson UNT Controller, DFS, APS, Technicoat Evap. Coil, & Phase Monitor, Hinged Filter Door & Toolless Access Panels
EL	Johnson UNT Controller, DFS, APS, Technicoat Evap. Coil, & Coil Guard, Hinged Filter Door & Toolless Access Panels
EM	Johnson UNT Controller, DFS, APS, Technicoat Evap. Coil, Phase Monitor, & Coil Guard, Hinged Filter Door & Toolless Access Panels
EN	Johnson UNT Controller, DFS, APS & Technicoat Evap. & Cond Coils, Hinged Filter Door & Toolless Access Panels
EP	Johnson UNT Controller, DFS, APS, Technicoat Evap. & Cond Coils, & Phase Monitor, Hinged Filter Door & Toolless Access Panels
EQ	Johnson UNT Controller, DFS, APS, Technicoat Evap. & Cond Coils, & Coil Guard, Hinged Filter Door & Toolless Access Panels
ER	Johnson UNT Controller, DFS, APS, Technicoat Evap. & Cond Coils, Phase Monitor, & Coil Guard, Hinged Filter Door & Toolless Access Panels
ES	Johnson UNT Controller, DFS, APS, SS Drain Pan Hinged Filter Door & Toolless Access Panels
ET	Johnson UNT Controller, DFS, APS, SS Drain Pan, Phase Monitor, & Coil Guard Hinged Filter Door & Toolless Access Panels
EU	Johnson UNT Controller, DFS, APS, SS Drain Pan, & Technicoat Cond Coils Hinged Filter Door & Toolless Access Panels
EV	Johnson UNT Controller, DFS, APS, SS Drain Pan, & Technicoat Evap Coil Hinged Filter Door & Toolless Access Panels
EW	Johnson UNT Controller, DFS, APS, SS Drain Pan, & Technicoat Evap and Cond Coils Hinged Filter Door & Toolless Access Panels
EX	Johnson UNT Controller, DFS, APS, SS Drain Pan, Phase Monitor, Coil Guard, & Technicoat Evap and Cond Coils Hinged Filter Door & Toolless Access Panels
GA	Honeywell Excel 10 Controller with Dirty Filter Switch & Air Proving Switch, Hinged Filter Door & Toolless Access Panels
GB	Honeywell Excel 10 Controller, DFS, APS & Phase Monitor, Hinged Filter Door & Toolless Access Panels
GC	Honeywell Excel 10 Controller, DFS, APS & Coil Guard, Hinged Filter Door & Toolless Access Panels
GD	Honeywell Excel 10 Controller, DFS, APS, Phase Monitor, & Coil Guard, Hinged Filter Door & Toolless Access Panels
GE	Honeywell Excel 10 Controller, DFS, APS & Technicoat Cond. Coil, Hinged Filter Door & Toolless Access Panels
GF	Honeywell Excel 10 Controller, DFS, APS, Technicoat Cond. Coil, & Phase Monitor, Hinged Filter Door & Toolless Access Panels
GG	Honeywell Excel 10 Controller, DFS, APS, Technicoat Cond. Coil, & Coil Guard, Hinged Filter Door & Toolless Access Panels
GH	Honeywell Excel 10 Controller, DFS, APS, Technicoat Cond. Coil, Phase Monitor, & Coil Guard, Hinged Filter Door & Toolless Access Panels
GJ	Honeywell Excel 10 Controller, DFS, APS & Technicoat Evap. Coil, Hinged Filter Door & Toolless Access Panels
GK	Honeywell Excel 10 Controller, DFS, APS, Technicoat Evap. Coil, & Phase Monitor, Hinged Filter Door & Toolless Access Panels
GL	Honeywell Excel 10 Controller, DFS, APS, Technicoat Evap. Coil, & Coil Guard, Hinged Filter Door & Toolless Access Panels
GM	Honeywell Excel 10 Controller, DFS, APS, Technicoat Evap. Coil, Phase Monitor, & Coil Guard, Hinged Filter Door & Toolless Access Panels
GN	Honeywell Excel 10 Controller, DFS, APS & Technicoat Evap. & Cond Coils, Hinged Filter Door & Toolless Access Panels
GP	Honeywell Excel 10 Controller, DFS, APS, Technicoat Evap. & Cond Coils, & Phase Monitor, Hinged Filter Door & Toolless Access Panels
GQ	Honeywell Excel 10 Controller, DFS, APS, Technicoat Evap. & Cond Coils, & Coil Guard, Hinged Filter Door & Toolless Access Panels
GR	Honeywell Excel 10 Controller, DFS, APS, Technicoat Evap. & Cond Coils, Phase Monitor, & Coil Guard, Hinged Filter Door & Toolless Access Panels
GS	Honeywell Excel 10 Controller, DFS, APS, SS Drain Pan
GT	Honeywell Excel 10 Controller, DFS, APS, SS Drain Pan, Phase Monitor, & Coil Guard
GU	Honeywell Excel 10 Controller, DFS, APS, SS Drain Pan, & Technicoat Cond Coils
GV	Honeywell Excel 10 Controller, DFS, APS, SS Drain Pan, & Technicoat Evap Coil
GW	Honeywell Excel 10 Controller, DFS, APS, SS Drain Pan, & Technicoat Evap and Cond Coils
GX	Honeywell Excel 10 Controller, DFS, APS, SS Drain Pan, Phase Monitor, Coil Guard, & Technicoat Evap and Cond Coils
PA	Novar ETC-3 Controller with Dirty Filter Switch & Air Proving Switch, Hinged Filter Door & Toolless Access Panels
PB	Novar ETC-3 Controller, DFS, APS & Phase Monitor, Hinged Filter Door & Toolless Access Panels
PC	Novar ETC-3 Controller, DFS, APS & Coil Guard, Hinged Filter Door & Toolless Access Panels
PD	Novar ETC-3 Controller, DFS, APS, Phase Monitor, & Coil Guard, Hinged Filter Door & Toolless Access Panels
PE	Novar ETC-3 Controller, DFS, APS & Technicoat Cond. Coil, Hinged Filter Door & Toolless Access Panels
PF	Novar ETC-3 Controller, DFS, APS, Technicoat Cond. Coil, & Phase Monitor, Hinged Filter Door & Toolless Access Panels
PG	Novar ETC-3 Controller, DFS, APS, Technicoat Cond. Coil, & Coil Guard, Hinged Filter Door & Toolless Access Panels
PH	Novar ETC-3 Controller, DFS, APS, Technicoat Cond. Coil, Phase Monitor, & Coil Guard, Hinged Filter Door & Toolless Access Panels
PJ	Novar ETC-3 Controller, DFS, APS & Technicoat Evap. Coil, Hinged Filter Door & Toolless Access Panels
PK	Novar ETC-3 Controller, DFS, APS, Technicoat Evap. Coil, & Phase Monitor, Hinged Filter Door & Toolless Access Panels
PL	Novar ETC-3 Controller, DFS, APS, Technicoat Evap. Coil, & Coil Guard, Hinged Filter Door & Toolless Access Panels

Hinged Filter Door & Toolless Access Cabinet	
PM	Novar ETC-3 Controller, DFS, APS, Technicoat Evap. Coil, Phase Monitor, & Coil Guard, Hinged Filter Door & Toolless Access Panels
PN	Novar ETC-3 Controller, DFS, APS & Technicoat Evap. & Cond Coils, Hinged Filter Door & Toolless Access Panels
PP	Novar ETC-3 Controller, DFS, APS, Technicoat Evap. & Cond Coils, & Phase Monitor, Hinged Filter Door & Toolless Access Panels
PQ	Novar ETC-3 Controller, DFS, APS, Technicoat Evap. & Cond Coils, & Coil Guard, Hinged Filter Door & Toolless Access Panels
PR	Novar ETC-3 Controller, DFS, APS, Technicoat Evap. & Cond Coils, Phase Monitor, & Coil Guard, Hinged Filter Door & Toolless Access Panels
PS	Novar ETC-3 Controller, DFS, APS, SS Drain Pan
PT	Novar ETC-3 Controller, DFS, APS, SS Drain Pan, Phase Monitor, & Coil Guard
PU	Novar ETC-3 Controller, DFS, APS, SS Drain Pan, & Technicoat Cond Coils
PV	Novar ETC-3 Controller, DFS, APS, SS Drain Pan, & Technicoat Evap Coil
PW	Novar ETC-3, DFS, APS, SS Drain Pan, & Technicoat Evap and Cond Coils
PX	Novar ETC-3 Controller, DFS, APS, SS Drain Pan, Phase Monitor, Coil Guard, & Technicoat Evap and Cond Coils
UA	Technicoat Condenser Coil, Hinged Filter Door & Toolless Access Panels
UB	Technicoat Condenser Coil & Phase Monitor, Hinged Filter Door & Toolless Access Panels
UC	Technicoat Condenser Coil & Coil Guard, Hinged Filter Door & Toolless Access Panels
UD	Technicoat Condenser Coil & Dirty Filter Switch, Hinged Filter Door & Toolless Access Panels
UE	Technicoat Condenser Coil, Phase Monitor, & Coil Guard, Hinged Filter Door & Toolless Access Panels
UF	Technicoat Condenser Coil, Phase Monitor, & Dirty Filter Switch, Hinged Filter Door & Toolless Access Panels
UG	Technicoat Condenser Coil, Coil Guard, & Dirty Filter Switch, Hinged Filter Door & Toolless Access Panels
UH	Technicoat Condenser Coil, Phase Monitor, Coil Guard, & Dirty Filter Switch, Hinged Filter Door & Toolless Access Panels
UJ	Technicoat Evaporator Coil, Hinged Filter Door & Toolless Access Panels
UK	Technicoat Evaporator Coil & Phase Monitor, Hinged Filter Door & Toolless Access Panels
UL	Technicoat Evaporator Coil & Coil Guard, Hinged Filter Door & Toolless Access Panels
UM	Technicoat Evaporator Coil & Dirty Filter Switch, Hinged Filter Door & Toolless Access Panels
UN	Technicoat Evaporator Coil, Phase Monitor, & Coil Guard, Hinged Filter Door & Toolless Access Panels
UP	Technicoat Evaporator Coil, Phase Monitor, & Dirty Filter Switch, Hinged Filter Door & Toolless Access Panels
UQ	Technicoat Evaporator Coil, Coil Guard, & Dirty Filter Switch, Hinged Filter Door & Toolless Access Panels
UR	Technicoat Evaporator Coil, Phase Monitor, Coil Guard, & Dirty Filter Switch, Hinged Filter Door & Toolless Access Panels
US	Technicoat Evaporator & Condenser Coils, Hinged Filter Door & Toolless Access Panels
UT	Technicoat Evaporator & Condenser Coils & Phase Monitor, Hinged Filter Door & Toolless Access Panels
UU	Technicoat Evaporator & Condenser Coils & Coil Guard, Hinged Filter Door & Toolless Access Panels
UV	Technicoat Evaporator & Condenser Coils & Dirty Filter Switch, Hinged Filter Door & Toolless Access Panels
UW	Technicoat Evaporator & Condenser Coils, Phase Monitor, & Coil Guard, Hinged Filter Door & Toolless Access Panels
UX	Technicoat Evaporator & Condenser Coils, Phase Monitor, & Dirty Filter Switch, Hinged Filter Door & Toolless Access Panels
UY	Technicoat Evaporator & Condenser Coils, Coil Guard, & Dirty Filter Switch, Hinged Filter Door & Toolless Access Panels
UZ	Technicoat Evaporator & Condenser Coils, Phase Monitor, Coil Guard, & Dirty Filter Switch, Hinged Filter Door & Toolless Access Panels
U1	Technicoat Condenser & SS Drain Pan, Hinged Filter Door & Toolless Access Panels
U4	Technicoat Evaporator & SS Drain Pan, Hinged Filter Door and Toolless Access Panels
U7	Technicoat Evaporator & Condenser Coils & SS Drain Pan, Hinged Filter Door & Toolless Access Panels
QA	Simplicity Intelli-Comfort Controller with Hinged Filter Door & Toolless Access Panels
QB	Simplicity Intelli-Comfort Controller, & Phase Monitor, Hinged Filter Door & Toolless Access Panels
QC	Simplicity Intelli-Comfort Controller, & Coil Guard, Hinged Filter Door & Toolless Access Panels
QD	Simplicity Intelli-Comfort Controller, Phase Monitor, & Coil Guard, Hinged Filter Door & Toolless Access Panels
QE	Simplicity Intelli-Comfort Controller, & Technicoat Cond. Coil, Hinged Filter Door & Toolless Access Panels
QF	Simplicity Intelli-Comfort Controller, Technicoat Cond. Coil, & Phase Monitor, Hinged Filter Door & Toolless Access Panels
QG	Simplicity Intelli-Comfort Controller, Technicoat Cond. Coil, & Coil Guard, Hinged Filter Door & Toolless Access Panels
QH	Simplicity Intelli-Comfort Controller, Technicoat Cond. Coil, Phase Monitor, & Coil Guard, Hinged Filter Door & Toolless Access
QJ	Simplicity Intelli-Comfort Controller, & Technicoat Evap. Coil, Hinged Filter Door & Toolless Access Panels
QK	Simplicity Intelli-Comfort Controller, Technicoat Evap. Coil, & Phase Monitor, Hinged Filter Door & Toolless Access Panels
QL	Simplicity Intelli-Comfort Controller, Technicoat Evap. Coil, & Coil Guard, Hinged Filter Door & Toolless Access Panels
QM	Simplicity Intelli-Comfort Controller, Technicoat Evap. Coil, Phase Monitor, & Coil Guard, Hinged Filter Door & Toolless Access
QN	Simplicity Intelli-Comfort Controller, & Technicoat Evap. & Cond Coils, Hinged Filter Door & Toolless Access Panels
QP	Simplicity Intelli-Comfort Controller, Technicoat Evap. & Cond Coils, & Phase Monitor, Hinged Filter Door & Toolless Access Pan
QQ	Simplicity Intelli-Comfort Controller, Technicoat Evap. & Cond Coils, & Coil Guard, Hinged Filter Door & Toolless Access Panels

Hinged Filter Door & Toolless Access Cabinet	
QR	Simplicity Intelli-Comfort Controller, Technicoat Evap. & Cond Coils, Phase Monitor, & Coil Guard, Hinged Filter Door & Toolless
QS	Simplicity Intelli-Comfort Controller, SS Drain Pan Hinged Filter Door & Toolless Access Panels
QT	Simplicity Intelli-Comfort Controller, SS Drain Pan, Phase Monitor, & Coil Guard Hinged Filter Door & Toolless Access Panels
QU	Simplicity Intelli-Comfort Controller, SS Drain Pan, & Technicoat Cond Coils Hinged Filter Door & Toolless Access Panels
QV	Simplicity Intelli-Comfort Controller, SS Drain Pan, & Technicoat Evap Coil Hinged Filter Door & Toolless Access Panels
QW	Simplicity Intelli-Comfort Controller, SS Drain Pan, & Technicoat Evap and Cond Coils Hinged Filter Door & Toolless Access Panels
QX	Simplicity Intelli-Comfort Controller, SS Drain Pan, Phase Monitor, Coil Guard, & Technicoat Evap and Cond Coils Hinged Filter Door & Toolless Access Panels
XA	Intelli-Comfort w/ModLINC Controller, Hinged Filter Door & Toolless Access Panels
XB	Intelli-Comfort w/ModLINC Controller, & Phase Monitor, Hinged Filter Door & Toolless Access Panels
XC	Intelli-Comfort w/ModLINC Controller, & Coil Guard, Hinged Filter Door & Toolless Access Panels
XD	Intelli-Comfort w/ModLINC Controller, Phase Monitor, & Coil Guard, Hinged Filter Door & Toolless Access Panels
XE	Intelli-Comfort w/ModLINC Controller, & Technicoat Cond. Coil, Hinged Filter Door & Toolless Access Panels
XF	Intelli-Comfort w/ModLINC Controller, Technicoat Cond. Coil, & Phase Monitor, Hinged Filter Door & Toolless Access Panels
XG	Intelli-Comfort w/ModLINC Controller, Technicoat Cond. Coil, & Coil Guard, Hinged Filter Door & Toolless Access Panels
XH	Intelli-Comfort w/ModLINC Controller, Technicoat Cond. Coil, Phase Monitor, & Coil Guard, Hinged Filter Door & Toolless Access
XJ	Intelli-Comfort w/ModLINC Controller, & Technicoat Evap. Coil, Hinged Filter Door & Toolless Access Panels
XK	Intelli-Comfort w/ModLINC Controller, Technicoat Evap. Coil, & Phase Monitor, Hinged Filter Door & Toolless Access Panels
XL	Intelli-Comfort w/ModLINC Controller, Technicoat Evap. Coil, & Coil Guard, Hinged Filter Door & Toolless Access Panels
XM	Intelli-Comfort w/ModLINC Controller, Technicoat Evap. Coil, Phase Monitor, & Coil Guard, Hinged Filter Door & Toolless Access
XN	Intelli-Comfort w/ModLINC Controller, & Technicoat Evap. & Cond Coils, Hinged Filter Door & Toolless Access Panels
XP	Intelli-Comfort w/ModLINC Controller, Technicoat Evap. & Cond Coils, & Phase Monitor, Hinged Filter Door & Toolless Access Pan
XQ	Intelli-Comfort w/ModLINC Controller, Technicoat Evap. & Cond Coils, & Coil Guard, Hinged Filter Door & Toolless Access Panels
XR	Intelli-Comfort w/ModLINC Controller, Technicoat Evap. & Cond Coils, Phase Monitor, & Coil Guard, Hinged Filter Door & Toolless
XS	Intelli-Comfort w/ModLINC Controller, SS Drain Pan Hinged Filter Door & Toolless Access Panels
XT	Intelli-Comfort w/ModLINC Controller, SS Drain Pan, Phase Monitor, & Coil Guard Hinged Filter Door & Toolless Access Panels
XU	Intelli-Comfort w/ModLINC Controller, SS Drain Pan, & Technicoat Cond Coils Hinged Filter Door & Toolless Access Panels
XV	Intelli-Comfort w/ModLINC Controller, SS Drain Pan, & Technicoat Evap Coil Hinged Filter Door & Toolless Access Panels
XW	Intelli-Comfort w/ModLINC Controller, SS Drain Pan, & Technicoat Evap and Cond Coils Hinged Filter Door & Toolless Access Panels
XX	Intelli-Comfort w/ModLINC Controller, SS Drain Pan, Phase Monitor, Coil Guard, & Technicoat Evap and Cond Coils Hinged Filter Door & Toolless Access Panels

FEATURES

All models are available with a wide variety of factory-mounted options such as stainless steel heat exchangers, phase monitor, dirty filter switch, and coil guard to make them suitable for almost every application.

All units are self-contained and assembled on full perimeter base rails with holes in the four corners for overhead rigging. Every unit is completely piped, wired, charged and tested at the factory to simplify the field installation and to provide years of dependable operation.

All models (including those with an economizer) are suitable for either bottom or horizontal duct connections. **Models with factory installed power exhaust are suitable for bottom duct connections only.** For bottom duct, you remove the sheet metal panels from the supply and return air openings through the base of the unit. For horizontal duct, you replace the supply and return air panels on the rear of the unit with a side duct flange accessory.

All models are available with these “factory mounted” outdoor air damper options:

- Single enthalpy economizer
- Single enthalpy economizer with power exhaust
- Motorized outdoor air damper

A fixed outdoor air intake assembly will be shipped in the return air compartment of all units ordered without an economizer or motorized outdoor air damper option. The assembly includes a rain hood with a damper that can be set for 10, 15 or 25% outdoor air. With bottom duct connections, the intake damper assembly should be mounted over the opening in the return air panel. With horizontal ductwork, it should be mounted on the return air duct.

All supply air blowers are equipped with a belt drive that can be adjusted to meet the exact requirements of the job. A high static drive option is available for applications with a higher CFM and/or static pressure requirement.

All compressors include scroll compressors and internal pressure relief. Every refrigerant circuit includes an expansion valve, a liquid line filter-drier, a discharge line high pressure switch and a suction line with a freeze-stat and low pressure/loss of charge switch to protect all system components.

- **Simplicity® Controls** - Simplicity® control boards have standardized a number of features previously available only as options or by utilizing additional controls.
 - **Low Ambient** - An integrated low-ambient control allows all units to operate in the cooling mode down to 0°F outdoor ambient without additional assistance. Optionally, the control board can be programmed to lockout the compressors when the outdoor air temperature is low or when free cooling is available.

- **Anti-Short Cycle Protection** - To aid compressor life, an anti-short cycle delay is incorporated into the standard controls. Compressor reliability is further ensured by programmable minimum run times. For testing, the anti short cycle delay can be temporarily overridden with the push of a button.
- **Fan Delays** - Fan on and fan off delays are fully programmable. Furthermore, the heating and cooling fan delay times are independent of one another. All units are programmed with default values based upon their configuration of cooling and heat.
- **Safety Monitoring** - The control board monitors the high and low-pressure switches, the freeze-stats, the gas valve, if applicable, and the temperature limit switch on gas and electric heat units. The unit control board will alarm on ignition failures, compressor lockouts and repeated limit switch trips.
- **Nuisance Trip Protection and Strikes** - To prevent nuisance trouble calls, the control board uses a “three times, you’re out” philosophy. The high and low-pressure switches and the freeze-stats must trip three times within two hours before the unit control board will lock out the associated compressor.
- **On Board Diagnostics** - Each alarm will energize a trouble light on the thermostat, if so equipped, and flash an alarm code on the control board LED. Each high and low-pressure switch alarm as well as each freeze-stat alarm has its own flash code. The control board saves the five most recent alarms in memory, and these alarms can be reviewed at any time. Alarms and programmed values are retained through the loss of power.

All units have long lasting powder paint cabinets with 1000 hour salt spray test approval under ASTM-B117 procedures.

All models are CSA approved.

- **Warranty** - All models include a one-year limited parts warranty on the complete unit. Compressors and electric heater elements carry a five-year warranty. Gas heat exchangers carry a 10-year parts warranty.
- **Gas Heat Operation** - All gas heat units are built with two heating sections for two equal stages of capacity control. Each section includes a durable heat exchanger with aluminized steel or optional stainless steel tubes, a redundant gas valve, spark ignition, power venting, an ignition module for 100% shut-off and all of the safety controls required to meet the latest ANSI standards.

The gas supply piping can be routed into the heating compartment through a hole in the base pan of the unit or through a knockout in the piping panel on the front of the unit.

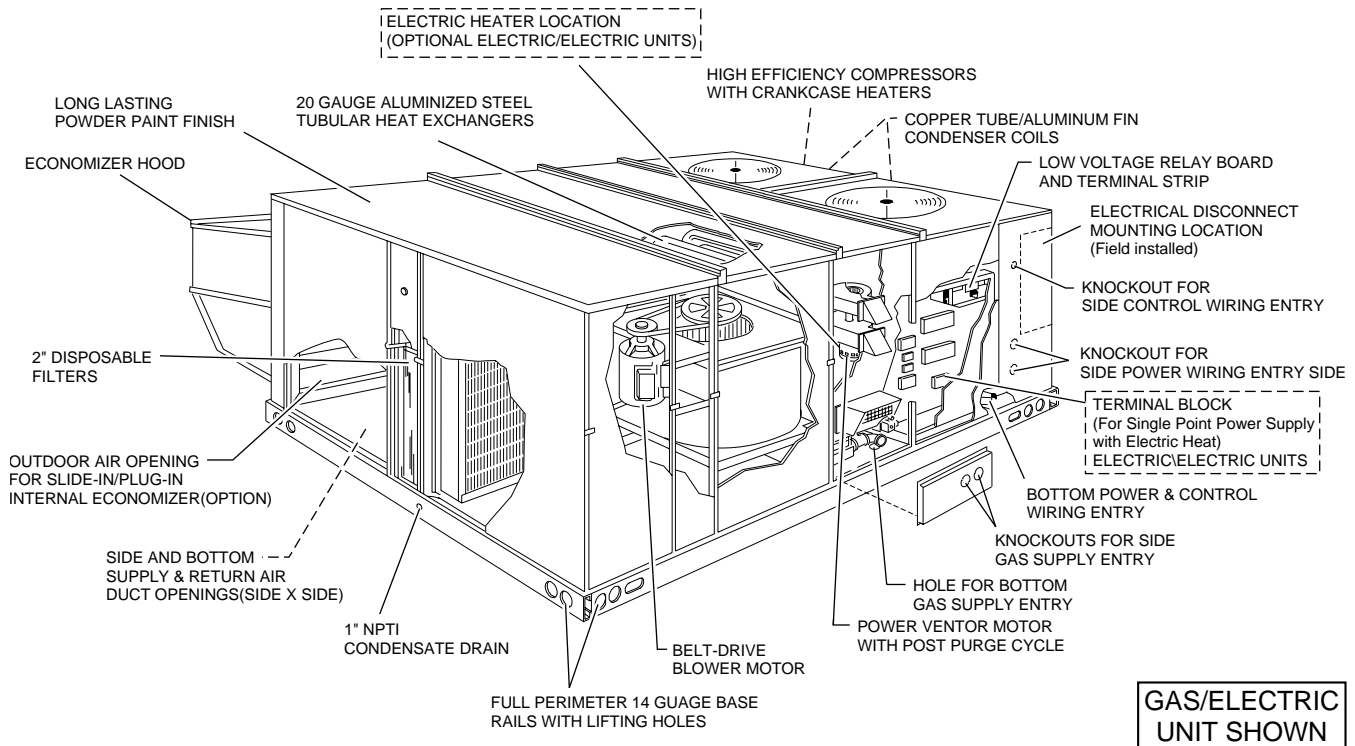


FIGURE 1 - UNIT CUTAWAY

- **Electric Heat Operation** - All electric heat models (factory installed only) are wired for a single power source and include a bank of nickel chromium elements mounted at the discharge of the supply air blower to provide a high velocity and uniform distribution of air across the heating elements. Every element is fully protected against excessive current and temperature by fuses and two thermal limit switches.

The power supply wiring can be routed into the control box through a threaded pipe connection in the base pan of the unit or through a knockout in the wiring panel on the front of the unit.

- **BAS Controls** - York's Sunline™ series units offer factory mounted BAS controls such as Simplicity® Intelli-Comfort™, Novar, Honeywell, Johnson, and CPC.

FACTORY-INSTALLED OPTIONS

- **SINGLE INPUT ELECTRONIC ENTHALPY ECONOMIZERS** - Includes a slide-in / plug-in damper assembly with fully modulating spring-return motor actuator capable of introducing up to 100% outdoor air with nominal 1% leakage type dampers.

The enthalpy system contains one sensor that monitors the outdoor air and determines when the air is cool enough and dry enough to provide free cooling.

The rainhood is painted to match the basic unit and must be field-assembled before installing.

Power exhaust is not available as a field installed option.

- **POWER EXHAUST** - Our single economizer options are available with power exhaust. Whenever the outdoor air intake dampers are opened for free cooling, the exhaust fan will be energized to prevent the conditioned space from being over-pressurized during economizer operation.

The exhaust fan, motor and controls are installed and wired at the factory. The rain hood and the back-draft damper need to be assembled and installed in the field.

The power exhaust option can only be used on bottom duct configurations.

- **MOTORIZED OUTDOOR AIR INTAKE DAMPER** - Includes a slide-in / plug-in damper assembly with a 2-position, spring return motor actuator which opens to a pre-set position whenever the supply air blower is operating and will drive fully closed when the blower unit shuts down.

The rain hood is painted to match the basic unit and must be field assembled before installing.

- **PHENOLIC COATED EVAPORATOR AND CONDENSER COILS** - Special coating process that utilizes Technicoat 10-1" processes. Coating is applied by total immersion of the complete coil for maximum protection.
 - **ELECTRIC HEATERS** wired for single point power supply. These nickel chromium heater elements are provided with limit and automatic reset capability to prevent operation at excessive temperatures.
 - **FILTER OPTIONS** - Standard units are shipped with 2" throw-away filters installed. 2" pleated and 4" pleated filters are offered as a factory installed option.
 - **CONVENIENCE OUTLET** - This 110 volt outlet can be "powered" by the unit with a stepdown transformer or you may order the unit with a "non-powered" convenience outlet that can be wired in the field.
 - **DISCONNECT SWITCH** - A HACR breaker sized to the unit max fuse size is provided. Factory installed option only.
 - **BAS - Building Automation System Controls**
Simplicity® Intelli-Comfort™ CONTROL - The York® Simplicity® Intelli-Comfort™ control is factory installed. It includes a supply air sensor, a return air sensor, and an outside air sensor. There are provisions for a field installed dirty filter indicator switch, an air-proving switch, an Outside Air Humidity sensor, a Return Air Humidity sensor, an Inside IAQ sensor, and an Outside Air IAQ sensor. Construction mode operation, 365-day real time clock with 7 day programming plus holiday scheduling is built-in. Two different modes of demand ventilation are achieved through the Intelli-Comfort™ using CO₂ sensors. It uses an inside CO₂ sensor to perform Demand Ventilation. It can also use an Outside CO₂ sensor to perform Differential Demand Ventilation. It uses a Patented Comfort Ventilation algorithm to provide comfortable ventilation air temperature. The patented economizer-loading algorithm will protect the equipment when harsh operating conditions exist. Humidity in the occupied space or return duct can be monitored and controlled via humidity sensors and the on-board connection for hot gas re-heat system. It uses the INTELLI-Start™ algorithm to maximize energy savings by recovering the building from the Unoccupied Setpoints to the Occupied Setpoints just in time for the Occupied Time Period to begin. The Simplicity® Intelli-Comfort™ balances space temperature, ventilation air temperature, CO₂ and humidity for ultimate comfort.
 - **Simplicity® Intelli-Comfort™ with ModLINC CONTROL** - The York® Simplicity® Intelli-Comfort™ with ModLINC control is factory installed. It includes all the features of the Intelli-Comfort™ control with an additional control to translate communications from MODBUS to the BACnet MSTP protocol.
 - **Novar® BAS CONTROL** - The Novar® ETC-3 building automation system controller is factory installed. Includes supply air sensor, return air sensor, dirty filter indicator switch, and air proving switch.
 - **JOHNSON CONTROLS BAS CONTROL** - The Johnson Control YK-UNT-1126 building automation system controller is factory installed. Includes supply air sensor, return air sensor, dirty filter indicator switch, and air proving switch.
 - **CPC BAS CONTROL** - The Computer Process Controls Model 810-3060 ARTC Advanced Rooftop building automation system controller is factory installed. Includes supply air sensor, return air sensor, dirty filter indicator switch and air proving switch.
 - **HONEYWELL BAS CONTROL** - The Honeywell W7750C building automation system controller is factory installed. Includes air supply sensor, return air sensor, dirty filter indicator switch, and air proving switch.
 - **SMOKE DETECTORS** - (supply air & return air) The smoke detectors stop operation of the unit by interrupting power to the control board if smoke is detected within the air compartment.
 - **COIL GUARD** - Customers can purchase a coil guard kit to protect the condenser coil from damage. This is not a hail guard kit.
 - **STAINLESS STEEL HEAT EXCHANGER** - For applications in corrosive environments, this option provides a full stainless steel heat exchanger assembly.
 - **STAINLESS STEEL DRAIN PAN** - An optional rust-proof stainless steel drain pan is available to provide years of trouble-free operation in corrosive environments.
 - **PHASE MONITORS** - Designed to prevent unit damage. The phase monitor will shut the unit down in an out-of-phase condition.
 - **HIGH SPEED DRIVE** - Includes a belt and blower pulley upgrade to enhance blower performance.
 - **DIRTY FILTER SWITCH** - This kit includes a differential pressure switch that energizes the fault light on the unit thermostat, indicating that there is an abnormally high pressure drop across the filters. Factory installed option or field installed accessory.
 - **HINGED FILTER DOOR/"TOOLLESS" BLOWER AND ACCESS PANELS (not hinged)** - This option allows for easy access and maintenance.
- NOTE:** Knobs are shipped separately within the unit to prevent shipping damage. These must be field installed for toolless operation.

FIELD-INSTALLED ACCESSORIES

- **SINGLE INPUT ELECTRONIC ENTHALPY ECONOMIZERS** - Includes a slide-in / plug-in damper assembly with fully modulating spring-return motor actuator capable of introducing up to 100% outdoor air with nominal 1% leakage type dampers.

The enthalpy system contains one sensor that monitors the outdoor air and determines when the air is cool enough and dry enough to provide free cooling.

The rainhood is painted to match the basic unit and must be field-assembled before installing.

Power exhaust is not available as a field installed option.

- **MOTORIZED OUTDOOR AIR INTAKE DAMPER** - Includes a slide-in / plug-in damper assembly with a 2-position, spring return motor actuator which opens to some pre-set position whenever the supply air blower is operating and will drive fully closed when the blower unit shuts down.

The rain hood is painted to match the basic unit and must be field assembled before installing.

Power exhaust is not available as a field installed option.

- **ROOF CURBS** - Fourteen-inch high roof curbs provide a water-tight seal between the unit and the finished roof. These full perimeter curbs meet the requirements of the National Roofing Contractors Association (NRCA) and are shipped knocked-down for field assembly.

They're designed to fit inside the base rails of the unit and include both a wood nailing strip and duct hanger supports.

- **HIGH ALTITUDE NATURAL GAS** - Burner orifices and pilot orifices are provided for proper furnace operation at altitudes up to 6,000 feet.

- **PROPANE** - Burner orifices, pilot orifices and gas valve parts are provided to convert a natural gas furnace to propane.
- **HIGH ALTITUDE PROPANE** - Burner orifices and pilot orifices are provided for proper furnace operation at altitudes up to 6,000 feet. This accessory supplements the basic propane conversion kit.
- **SIDE DUCT FLANGES** - One-inch flanges replace the supply and return air panels on the rear of the unit to accommodate horizontal duct connections. These flanges can also be used individually for bottom supply/horizontal return or horizontal supply/bottom return. They cannot be used on units with power exhaust.
- **BAROMETRIC RELIEF DAMPER** - This damper accessory can be used to relieve internal building air pressure on units with an economizer without power exhaust. This accessory includes a rain hood, a bird screen and a fully assembled damper. With bottom duct connections, the damper should be mounted over the opening in the return air panel. With horizontal ductwork, the accessory should be mounted on the return air duct.
- **HIGH SPEED DRIVE** - A smaller blower pulley and a shorter belt increase the speed of the supply air blower for applications with a higher CFM and/or static pressure requirements.
- **ENTHALPY ACCESSORY CONTROL KIT** - This kit contains the required components to convert a single enthalpy economizer to dual enthalpy.
- **BURGLAR BARS** - Mount in the supply and return openings to prevent entry into the duct work.

- **FLUE EXHAUST EXTENSION KIT** - In locations with wind or weather conditions which may interfere with proper exhausting of furnace combustion products, this kit can be installed to prevent the flue exhaust from entering nearby fresh air intakes.
- **WOOD SKID** - Allows unit to be handled with 90" forks.
- **CO₂ SENSOR** - Senses CO₂ levels and automatically overrides the economizer when levels rise above the present limits.
- **COIL GUARD** - Customers can purchase a coil guard kit to protect the condenser coil from damage. This is not a hail guard kit.
- **PHASE MONITORS** - Designed to prevent unit damage. The phase monitor will shut the unit down in an out-of-phase condition.

TABLE 1: INDOOR SOUND POWER RATING¹

UNIT SIZE	CFM	ESP	BLOWER		SOUND POWER (db 10 ⁻¹² Watts)									
					Octave Band Centerline Frequency (Hz)								SWL dB(A)	dB(A) @ 10Ft. ²
					IWG	RPM	BHP	63	125	250	500	1,000		
180	6,000	1.00	1,080	4.60	99	99	89	82	84	77	72	67	89	56
210, 240	8,000	1.00	1,120	6.65	102	102	92	85	87	80	75	70	92	59

1. These values have been accessed using a model of sound propagation from a point source into the hemispheric/free field. The dBA values provided are to be used for reference only. Calculation of dBA values cover matters of system design and the fan manufacture has no way of knowing the details of each system. This constitutes an expectation to any specification or guarantee requiring a dBA value or sound data in any other form than sound power level ratings.
2. At a distance of 10 feet from the blower.

TABLE 2: CAPACITY RATINGS - (ARI 360)¹

MODEL	MBH	EER ²	IPLV ³
COOLING ONLY			
DH180C/E00	178 ⁴	10.8	11.3
DH210C/E00	205	10.2	10.8
DH240C/E00	223	9.7	10.2
COOLING WITH GAS HEAT			
DH180N/S	178 ⁴	10.8	11.3
DH210N/S	205	10.2	10.8
DH240N/S	223	9.7	10.2
COOLING WITH ELECTRIC HEAT			
DH180E18	178 ⁴	10.8	11.3
DH180E36	178 ⁴	10.8	11.3
DH180E54	176 ⁴	10.5	10.5
DH180E72	176 ⁴	10.5	10.5
DH210E18	205	10.2	10.8
DH210E36	205	10.2	10.8
DH210E54	203	10.0	10.6
DH210E72	203	10.0	10.6
DH240E18	223	9.6	10.1
DH240E36	223	9.6	10.1
DH240E54	221	9.5	9.7
DH240E72	219	9.5	9.7

1. 80/67°F Indoor and 95°F outdoor.
2. EER = Energy Efficiency Ratio at full load - the cooling capacity in Btu's per hour (Btuh) divided by the power input in watts, expressed in Btuh per watt (Btuh/watt).
3. IPLV = Integrated part load value.
4. Deduct 2 MBH @ 208V.

TABLE 3: GAS HEAT RATINGS¹

MODEL	MBH INPUT	MBH OUTPUT
DH180N/S24	300	240
DH180N/S32	400	320
DH210N/S24	300	240
DH210N/S32	400	320
DH240N/S24	300	240
DH240N/S32	400	320

1. All units are two-stage heating. First stage is 50% of total.
SSE = Steady State Efficiency (80%) - Output divided by Input

TABLE 4: DH 180 COOLING CAPACITIES (15 TON)

AIR ON EVAPORATOR COIL		TEMPERATURE OF AIR ON CONDENSER COIL																	
		85°F									95°F								
		TOTAL CAP. ¹ MBH	POWER INPUT ² KW	SENSIBLE CAPACITY ¹ , MBH								TOTAL CAP. ¹ MBH	POWER INPUT ² KW	SENSIBLE CAPACITY ¹ , MBH					
				ENTERING DRY BULB, °F										ENTERING DRY BULB, °F					
CFM	WB °F	86	83	80	77	74	71	68	86	83	80	77	74	71	68				
7500	72	219	12.8	160	138	116	93	71	-	-	213	14.4	157	134	112	90	67	-	-
	67	203	12.5	201	179	156	134	112	89	67	193	13.9	193	173	151	129	106	84	62
	62	187	12.4	187	187	187	164	142	120	97	180	13.8	180	180	180	157	135	112	90
	57	184	12.3	184	184	184	161	139	117	94	176	14.1	176	176	176	154	131	109	87
6750	72	217	12.7	150	130	110	90	70	-	-	209	14.2	147	127	107	88	68	-	-
	67	202	12.5	189	169	149	129	109	89	69	190	13.8	183	165	145	125	105	85	65
	62	185	12.3	185	185	181	161	141	121	101	176	13.7	176	176	174	155	135	115	95
	57	182	12.3	182	182	181	161	142	122	102	173	14.0	173	173	173	153	133	113	93
6000	72	216	12.7	139	122	104	87	69	-	-	205	14.1	138	120	103	85	68	-	-
	67	200	12.4	176	159	141	124	106	89	71	186	13.6	174	156	139	121	104	86	69
	62	184	12.2	184	184	176	158	141	123	106	173	13.5	173	173	169	152	134	117	100
	57	181	12.2	181	181	179	162	144	127	109	170	13.8	170	170	169	151	134	116	99
5250	72	209	12.6	128	112	96	80	64	-	-	200	14.0	124	109	94	79	64	-	-
	67	194	12.3	162	146	130	114	98	82	66	181	13.6	157	142	127	112	96	81	66
	62	178	12.2	178	173	162	146	130	114	98	169	13.4	169	163	155	140	125	110	94
	57	175	12.1	175	173	165	149	133	117	101	165	13.7	165	161	154	139	124	109	94
4500	72	202	12.5	117	102	88	73	59	-	-	194	14.0	111	98	85	72	60	-	-
	67	188	12.3	148	133	119	104	90	75	60	177	13.5	141	128	115	102	89	76	64
	62	172	12.1	172	162	148	133	119	104	90	164	13.4	164	153	141	128	115	102	89
	57	170	12.0	170	166	151	136	122	107	93	161	13.7	161	153	140	127	114	102	89

AIR ON EVAPORATOR COIL		TEMPERATURE OF AIR ON CONDENSER COIL																	
		105°F									115°F								
		TOTAL CAP. ¹ MBH	POWER INPUT ² KW	SENSIBLE CAPACITY ¹ , MBH								TOTAL CAP. ¹ MBH	POWER INPUT ² KW	SENSIBLE CAPACITY ¹ , MBH					
				ENTERING DRY BULB, °F										ENTERING DRY BULB, °F					
CFM	WB °F	86	83	80	77	74	71	68	86	83	80	77	74	71	68				
7500	72	199	15.9	155	132	110	87	65	-	-	186	17.3	152	130	108	85	63	-	-
	67	182	15.2	182	169	147	125	102	80	58	171	16.4	171	166	143	121	99	76	54
	62	170	15.1	170	170	170	147	125	103	80	160	16.5	160	160	160	137	115	93	70
	57	166	15.4	166	166	166	144	121	99	77	156	16.7	156	156	156	134	111	89	67
6750	72	196	15.7	144	124	104	84	64	-	-	182	17.2	140	120	100	81	61	-	-
	67	179	15.0	174	159	139	119	99	80	60	167	16.3	165	154	134	114	94	74	54
	62	166	15.0	166	166	166	146	126	106	86	157	16.4	157	157	157	137	117	97	77
	57	163	15.3	163	163	163	143	123	103	83	153	16.7	153	153	153	133	113	93	73
6000	72	192	15.6	133	116	98	81	63	-	-	179	17.1	128	111	93	76	58	-	-
	67	175	14.9	166	149	131	114	96	79	61	164	16.2	159	142	124	107	89	72	54
	62	163	14.9	163	163	162	144	127	109	92	154	16.3	154	154	154	136	119	101	84
	57	160	15.2	160	160	159	142	124	107	89	150	16.6	150	150	150	133	115	98	80
5250	72	187	15.5	121	105	90	75	60	-	-	175	17.0	117	102	86	71	56	-	-
	67	171	14.8	151	136	121	106	91	75	60	160	16.1	145	130	115	100	85	70	54
	62	159	14.8	159	156	149	134	118	103	88	150	16.2	150	149	142	127	112	97	82
	57	156	15.1	156	153	147	132	116	101	86	146	16.5	146	145	139	124	109	93	78
4500	72	182	15.4	108	95	82	70	57	-	-	170	16.9	105	92	79	67	54	-	-
	67	166	14.8	136	123	110	98	85	72	59	156	16.0	132	119	106	93	80	67	55
	62	155	14.7	155	149	136	123	110	97	84	146	16.1	146	144	131	118	105	92	80
	57	152	15.0	152	147	134	121	108	95	83	143	16.3	143	141	128	115	102	89	76

1. These capacities are gross ratings. For net capacity, deduct the heat of the supply air blower motor, MBH = 3.415 x KW. Refer to the appropriate Blower Performance Table for the KW of the supply air blower motor.
2. These ratings include the condenser fan motors (Total 2.3 KW) and the compressor motors but not the supply air blower motor.

Nominal Rating

TABLE 5: DH 210 COOLING CAPACITIES (17.5 TON)

Air on Evaporator Coil		Temperature of Air on Condenser Coil																	
		75°F								85°F									
		CFM	WB (°F)	Total Cap. ¹ (MBH)	Total ² Input (kW)	Sensible Capacity (MBH) Return Dry Bulb (°F)						Total Cap. ¹ (MBH)	Total ² Input (kW)	Sensible Capacity (MBH) Return Dry Bulb (°F)					
86	83					80	77	74	71	68	86			83	80	77	74	71	68
6000	72	239.4	14.5	143.6	130.5	117.3	104.2	91.1	-	-	232.9	15.8	140.3	127.5	114.8	102.0	89.3	-	-
	67	230.0	13.9	186.5	173.4	160.3	147.2	134.1	121.0	107.8	218.4	15.3	179.7	167.0	154.2	141.5	128.7	116.0	103.2
	62	210.9	13.7	210.9	207.9	194.7	181.6	168.5	155.4	142.3	199.4	15.0	199.4	196.6	183.9	171.1	158.4	145.6	132.9
	57	206.6	13.9	206.6	206.6	195.8	182.7	169.6	156.5	143.3	197.0	15.0	197.0	197.0	185.3	172.6	159.8	147.1	134.4
6500	72	244.1	14.4	149.8	136.2	122.6	109.1	95.5	-	-	237.6	15.8	147.6	134.0	120.4	106.7	93.1	-	-
	67	234.5	13.8	194.7	181.1	167.5	154.0	140.4	126.8	113.2	222.8	15.3	189.0	175.4	161.7	148.1	134.5	120.8	107.2
	62	215.0	13.6	215.0	213.5	203.6	190.0	176.4	162.8	149.3	203.4	15.0	203.4	202.0	192.8	179.2	165.6	152.0	138.3
	57	210.6	13.8	210.6	210.6	204.7	191.1	177.5	163.9	150.4	200.9	15.0	200.9	200.9	194.4	180.8	167.1	153.5	139.9
7000	72	248.7	14.3	156.0	141.9	127.9	113.9	99.8	-	-	242.3	15.8	155.0	140.5	126.0	111.5	97.0	-	-
	67	238.9	13.8	202.8	188.8	174.8	160.7	146.7	132.7	118.6	227.2	15.2	198.3	183.8	169.3	154.8	140.2	125.7	111.2
	62	219.1	13.5	219.1	219.1	212.4	198.3	184.3	170.3	156.2	207.4	15.0	207.4	207.4	201.8	187.3	172.8	158.3	143.8
	57	214.6	13.7	214.6	214.6	213.5	199.5	185.4	171.4	157.4	204.9	15.0	204.9	204.9	203.4	188.9	174.4	159.9	145.4
7875	72	252.8	14.5	168.5	153.0	137.4	121.9	106.3	-	-	246.9	15.9	166.5	150.8	135.1	119.5	103.8	-	-
	67	242.9	13.9	218.8	203.3	187.8	172.2	156.7	141.1	125.6	231.5	15.3	212.9	197.3	181.6	165.9	150.2	134.6	118.9
	62	222.8	13.7	222.8	222.8	219.4	203.9	188.3	172.8	157.2	211.4	15.1	211.4	211.4	208.6	192.9	177.2	161.6	145.9
	57	218.2	13.8	218.2	218.2	217.7	202.1	186.6	171.0	155.5	208.8	15.1	208.8	208.8	208.1	192.4	176.7	161.0	145.4
8750	72	257.0	14.6	181.0	164.0	146.9	129.9	112.8	-	-	251.5	16.0	178.0	161.1	144.3	127.5	110.6	-	-
	67	246.9	14.0	234.8	217.8	200.7	183.7	166.6	149.6	132.5	235.9	15.4	227.6	210.7	193.9	177.1	160.2	143.4	126.6
	62	226.4	13.8	226.4	226.4	226.4	209.4	192.3	175.3	158.2	215.3	15.2	215.3	215.3	215.3	198.5	181.7	164.9	148.0
	57	221.8	14.0	221.8	221.8	221.8	204.8	187.7	170.7	153.6	212.7	15.2	212.7	212.7	212.7	195.9	179.0	162.2	145.4
		95°F								105°F									
6000	72	226.4	17.1	137.0	124.6	112.2	99.8	87.4	-	-	215.7	18.9	131.6	119.3	107.1	94.9	82.6	-	-
	67	206.9	16.6	172.9	160.5	148.1	135.7	123.4	111.0	98.6	196.8	18.4	166.4	154.1	141.9	129.7	117.4	105.2	93.0
	62	188.0	16.3	188.0	185.4	173.0	160.6	148.2	135.9	123.5	181.0	18.1	181.0	179.2	166.9	154.7	142.4	130.2	118.0
	57	187.3	16.1	187.3	187.3	174.9	162.5	150.1	137.7	125.4	181.3	18.0	181.3	179.7	167.5	155.2	143.0	130.8	118.5
6500	72	231.1	17.2	145.5	131.8	118.1	104.4	90.8	-	-	219.6	18.9	140.0	126.5	113.1	99.6	86.1	-	-
	67	211.2	16.7	183.3	169.6	155.9	142.3	128.6	114.9	101.2	200.3	18.4	176.7	163.2	149.8	136.3	122.9	109.4	96.0
	62	191.9	16.4	191.9	190.6	182.1	168.4	154.8	141.1	127.4	184.2	18.1	184.2	183.3	176.2	162.7	149.3	135.8	122.4
	57	191.2	16.2	191.2	191.2	184.1	170.4	156.7	143.1	129.4	184.5	18.0	184.5	183.7	176.8	163.3	149.9	136.4	123.0
7000	72	235.8	17.2	154.0	139.0	124.1	109.1	94.1	-	-	223.4	19.0	148.3	133.7	119.0	104.3	89.7	-	-
	67	215.5	16.7	193.8	178.8	163.8	148.8	133.8	118.8	103.8	203.8	18.5	187.0	172.3	157.7	143.0	128.3	113.7	99.0
	62	195.8	16.5	195.8	195.8	191.3	176.3	161.3	146.3	131.3	187.4	18.2	187.4	187.4	185.5	170.8	156.1	141.4	126.8
	57	195.1	16.3	195.1	195.1	193.3	178.4	163.4	148.4	133.4	187.8	18.1	187.8	187.8	186.1	171.4	156.7	142.1	127.4
7875	72	241.0	17.3	164.5	148.7	132.9	117.1	101.3	-	-	228.4	19.1	158.7	143.2	127.7	112.2	96.7	-	-
	67	220.2	16.8	207.0	191.2	175.4	159.6	143.8	128.0	112.2	208.3	18.6	198.8	184.8	169.3	153.8	138.3	122.8	107.3
	62	200.0	16.5	200.0	200.0	197.8	182.0	166.2	150.4	134.6	191.6	18.3	191.6	191.6	190.6	175.1	159.6	144.1	128.6
	57	199.3	16.3	199.3	199.3	198.5	182.7	166.9	151.1	135.3	191.9	18.1	191.9	191.9	191.1	175.6	160.1	144.6	129.1
8750	72	246.1	17.4	174.9	158.3	141.7	125.1	108.5	-	-	233.3	19.1	169.1	152.8	136.5	120.2	103.8	-	-
	67	224.8	16.9	220.3	203.7	187.1	170.5	153.8	137.2	120.6	212.8	18.6	210.5	197.2	180.9	164.5	148.2	131.9	115.5
	62	204.3	16.6	204.3	204.3	204.3	187.6	171.0	154.4	137.8	195.7	18.3	195.7	195.7	195.7	179.4	163.1	146.7	130.4
	57	203.6	16.4	203.6	203.6	203.6	187.0	170.3	153.7	137.1	196.1	18.2	196.1	196.1	196.1	179.7	163.4	147.1	130.8
		115°F								125°F									
6000	72	205.0	20.7	126.2	114.1	102.0	89.9	77.8	-	-	194.3	22.4	120.8	108.9	96.9	85.0	73.0	-	-
	67	186.6	20.2	159.9	147.8	135.7	123.6	111.5	99.4	87.3	176.5	21.9	153.4	141.4	129.5	117.5	105.6	93.6	81.6
	62	174.0	19.9	174.0	172.9	160.8	148.7	136.6	124.5	112.4	167.1	21.6	167.1	166.7	154.7	142.8	130.8	118.9	106.9
	57	175.3	19.8	175.3	172.2	160.1	148.0	135.9	123.8	111.7	169.3	21.6	169.3	164.6	152.7	140.7	128.8	116.8	104.9
6500	72	208.0	20.7	134.4	121.2	108.0	94.8	81.5	-	-	196.5	22.4	128.9	115.9	102.9	89.9	76.9	-	-
	67	189.4	20.2	170.1	156.9	143.6	130.4	117.2	104.0	90.7	178.5	22.0	163.5	150.5	137.5	124.5	111.5	98.5	85.5
	62	176.6	19.9	176.6	176.0	170.2	157.0	143.8	130.6	117.3	168.9	21.6	168.9	168.7	164.3	151.3	138.3	125.3	112.3
	57	177.9	19.8	177.9	176.3	169.4	156.2	143.0	129.8	116.5	171.2	21.7	171.2	168.9	162.1	149.1	136.1	123.1	110.1
7000	72	211.0	20.7	142.7	128.3	114.0	99.6	85.2	-	-	198.6	22.5	137.0	122.9	108.9	94.9	80.8	-	-
	67	192.1	20.2	180.3	165.9	151.6	137.2	122.9	108.5	94.2	180.4	22.0	173.5	159.5	145.5	131.4	117.4	103.4	89.3
	62	179.1	19.9	179.1	179.1	179.6	165.3	150.9	136.6	122.2	170.8	21.6	170.8	170.8	170.8	158.8	145.8	131.7	117.7
	57	180.4	19.9	180.4	180.4	178.8	164.5	150.1	135.7	121.4	173.1	21.7	173.1	173.1	171.5	157.5	143.5	129.4	115.4
7875	72	215.8	20.8	153.0	137.8	122.6	107.4	92.2	-	-	203.2	22.5	147.3	132.4	117.5	102.6	87.7	-	-
	67	196.4	20.3	190.5	178.3	163.1	147.9	132.7	117.5	102.3	184.6	22.1	182.3	171.9	157.0	142.1	127.2	112.3	97.4
	62	183.1	20.0	183.1	183.1	183.4	168.2	153.0	137.8	122.6	174.7	21.7	174.7	174.7	174.7	161.3	146.4	131.5	116.6
	57	184.5	19.9	184.5	184.5	183.7	168.5	153.3	138.1	122.9	177.1	21.7	177.1	177.1	176.3	161.4	146.5	131.6	116.7
8750	72	220.5	20.9	163.4	147.3	131.3	115.3	99.2											

TABLE 6: DH 240 COOLING CAPACITIES (20 TON)

AIR ON EVAPORATOR COIL		TEMPERATURE OF AIR ON CONDENSER COIL																	
		85°F									95°F								
		TOTAL CAP. ¹ MBH	POWER INPUT ² KW	SENSIBLE CAPACITY ¹ , MBH								TOTAL CAP. ¹ MBH	POWER INPUT ² KW	SENSIBLE CAPACITY ¹ , MBH					
				ENTERING DRY BULB, °F										ENTERING DRY BULB, °F					
CFM	WB °F	86	83	80	77	74	71	68	86	83	80	77	74	71	68				
9400	72	282	15.1	240	209	180	150	121	-	-	267	16.6	234	205	174	144	115	-	-
	67	269	14.6	282	261	231	202	172	144	-	255	16.3	269	255	224	196	166	138	-
	62	265	14.4	282	273	265	254	224	194	164	253	16.0	269	261	253	245	217	188	158
	57	265	14.3	281	273	265	257	249	241	215	253	15.9	269	261	253	245	237	230	203
9000	72	276	16.5	230	200	172	143	112	-	-	261	18.0	224	195	166	137	111	-	-
	67	263	16.0	274	250	221	193	165	137	-	249	17.7	261	244	215	187	159	131	100
	62	258	15.8	274	266	258	243	214	185	157	246	17.4	261	254	246	238	208	179	151
	57	258	15.7	274	266	258	250	242	234	205	246	17.3	261	254	246	238	230	223	194
8000	72	268	17.8	211	185	160	135	108	-	-	254	19.4	206	180	154	130	102	-	-
	67	254	17.4	256	231	204	179	153	129	97	241	19.1	250	222	198	173	148	123	97
	62	246	17.2	261	254	246	223	198	172	147	234	18.8	249	242	234	217	192	166	141
	57	246	17.0	261	253	246	238	230	216	191	234	18.6	249	242	234	227	219	212	180
7000	72	260	18.9	193	171	149	126	101	-	-	246	20.5	189	165	143	121	96	-	-
	67	245	18.5	233	211	187	165	143	121	94	236	20.1	227	205	182	160	137	116	87
	62	232	18.2	248	241	227	205	183	159	137	223	19.8	237	230	223	198	176	153	131
	57	233	18.1	248	241	233	226	219	198	176	223	19.6	237	230	223	215	208	192	165
6000	72	252	20.0	176	156	137	116	95	-	-	238	21.6	170	151	132	111	89	-	-
	67	236	19.6	210	191	170	152	132	112	91	223	21.2	204	185	164	146	127	107	85
	62	220	19.2	233	226	205	186	166	147	127	209	20.8	223	216	199	179	160	141	122
	57	219	18.9	233	226	219	212	199	180	160	209	20.5	223	216	209	202	195	173	147

AIR ON EVAPORATOR COIL		TEMPERATURE OF AIR ON CONDENSER COIL																	
		105°F									115°F								
		TOTAL CAP. ¹ MBH	POWER INPUT ² KW	SENSIBLE CAPACITY ¹ , MBH								TOTAL CAP. ¹ MBH	POWER INPUT ² KW	SENSIBLE CAPACITY ¹ , MBH					
				ENTERING DRY BULB, °F										ENTERING DRY BULB, °F					
CFM	WB °F	86	83	80	77	74	71	68	86	83	80	77	74	71	68				
9400	72	252	18.3	228	199	168	139	105	-	-	236	19.6	223	192	162	133	103	-	-
	67	241	17.8	255	248	218	190	160	132	-	227	19.3	242	235	212	184	154	122	-
	62	241	17.5	255	248	241	233	211	181	152	227	18.9	241	234	227	220	204	175	145
	57	240	17.3	255	248	240	233	225	218	201	227	18.8	241	234	227	220	213	205	190
9000	72	246	19.7	218	190	161	133	102	-	-	231	21.0	212	184	155	126	97	-	-
	67	235	19.2	248	238	209	182	153	126	-	221	20.7	235	228	203	175	147	119	-
	62	234	18.9	248	241	234	226	202	173	145	220	20.2	234	228	220	213	195	167	138
	57	233	18.7	248	241	233	226	218	211	192	220	20.2	234	227	220	213	206	199	181
8000	72	239	21.1	200	174	149	124	94	-	-	224	22.4	194	169	143	118	92	-	-
	67	227	20.6	237	218	193	167	142	117	-	213	22.0	224	213	186	162	136	111	83
	62	223	20.2	237	230	223	211	185	160	134	210	21.6	224	217	210	200	179	154	128
	57	223	20.1	237	230	223	215	208	201	178	210	21.4	224	217	210	203	196	189	167
7000	72	232	22.1	183	160	138	116	91	-	-	216	23.5	177	153	131	110	88	-	-
	67	219	21.5	222	200	176	154	131	110	86	206	23.0	213	194	170	148	126	104	-
	62	212	21.2	226	219	212	193	170	148	125	200	22.5	213	207	200	186	164	141	119
	57	212	21.0	225	219	212	204	197	185	163	200	22.3	213	207	200	193	186	179	152
6000	72	224	23.2	165	145	126	107	84	-	-	210	24.6	160	139	121	101	78	-	-
	67	210	22.6	199	179	159	140	121	102	80	197	23.9	193	174	154	135	116	97	75
	62	197	22.1	212	205	193	174	155	135	116	188	23.5	201	194	188	168	150	129	110
	57	199	21.8	212	205	199	192	185	167	148	188	23.0	200	194	188	181	174	161	135

1. These capacities are gross ratings. For net capacity, deduct the heat of the supply air blower motor, MBH = 3.415 x KW. Refer to the appropriate Blower Performance Table for the KW of the supply air blower motor.
2. These ratings include the condenser fan motors (Total 2.3 KW) and the compressor motors but not the supply air blower motor.

 Nominal Rating

CFM, STATIC PRESSURE, AND POWER - ALTI-TUDE AND TEMPERATURE CORRECTIONS

The information below should be used to assist in application of product when being applied at altitudes at or exceeding 1000 feet above sea level.

The air flow rates listed in the standard blower performance tables are based on standard air at sea level. As the altitude or temperature increases, the density of air decreases. In

order to use the indoor blower tables for high altitude applications, certain corrections are necessary.

A centrifugal fan is a "constant volume" device. This means that, if the rpm remains constant, the CFM delivered is the same regardless of the density of the air. However, since the air at high altitude is less dense, less static pressure will be generated and less power will be required than a similar application at sea level. Air density correction factors are shown in Table 7 and Figure 2.

TABLE 7: ALTITUDE CORRECTION FACTORS

AIR TEMP	ALTITUDE (FEET)										
	0	1000	2000	3000	4000	5000	6000	7000	8000	9000	10000
40	1.060	1.022	0.986	0.950	0.916	0.882	0.849	0.818	0.788	0.758	0.729
50	1.039	1.002	0.966	0.931	0.898	0.864	0.832	0.802	0.772	0.743	0.715
60	1.019	0.982	0.948	0.913	0.880	0.848	0.816	0.787	0.757	0.729	0.701
70	1.000	0.964	0.930	0.896	0.864	0.832	0.801	0.772	0.743	0.715	0.688
80	0.982	0.947	0.913	0.880	0.848	0.817	0.787	0.758	0.730	0.702	0.676
90	0.964	0.929	0.897	0.864	0.833	0.802	0.772	0.744	0.716	0.689	0.663
100	0.946	0.912	0.880	0.848	0.817	0.787	0.758	0.730	0.703	0.676	0.651

The examples below will assist in determining the airflow performance of the product at altitude.

Example 1: What are the corrected CFM, static pressure, and BHP at an elevation of 5,000 ft. if the blower performance data is 6,000 CFM, 1.5 IWC and 4.0 BHP?

Solution: At an elevation of 5,000 ft the indoor blower will still deliver 6,000 CFM if the rpm is unchanged. However, Table 7 must be used to determine the static pressure and BHP. Since no temperature data is given, we will assume an air temperature of 70°F. Table 7 shows the correction factor to be 0.832.

$$\text{Corrected static pressure} = 1.5 \times 0.832 = 1.248 \text{ IWC}$$

$$\text{Corrected BHP} = 4.0 \times 0.832 = 3.328$$

Example 2: A system, located at 5,000 feet of elevation, is to deliver 6,000 CFM at a static pressure of 1.5". Use the unit

blower tables to select the blower speed and the BHP requirement.

Solution: As in the example above, no temperature information is given so 70°F is assumed.

The 1.5" static pressure given is at an elevation of 5,000 ft. The first step is to convert this static pressure to equivalent sea level conditions.

$$\text{Sea level static pressure} = 1.5 / .832 = 1.80"$$

Enter the blower table at 6000 sCFM and static pressure of 1.8". The rpm listed will be the same rpm needed at 5,000 ft.

Suppose that the corresponding BHP listed in the table is 3.2. This value must be corrected for elevation.

$$\text{BHP at 5,000 ft} = 3.2 \times .832 = 2.66$$

Altitude/Temperature Conversion Factor

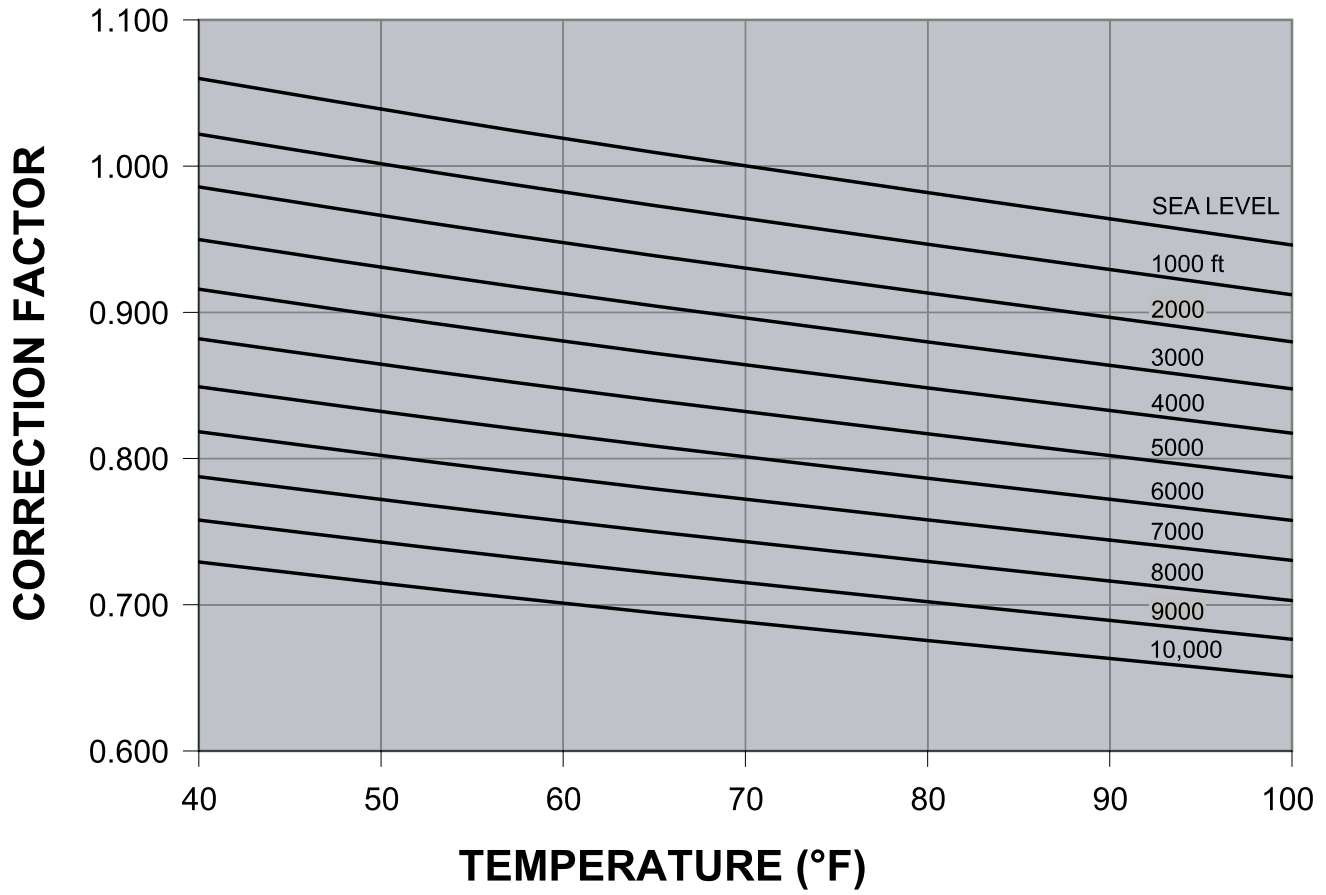


FIGURE 2 - ALTITUDE/TEMPERATURE CONVERSION FACTOR

**TABLE 8: SUPPLY AIR BLOWER PERFORMANCE (15 TON) - COOLING ONLY
180 MBH - BOTTOM DUCT CONNECTIONS**

BLOWER SPEED, (RPM)	MOTOR PULLEY (TURNS OPEN)*	CFM														
		4500			5250			6000			6750			7200		
		ESP	BHP	KW	ESP	BHP	KW	ESP	BHP	KW	ESP	BHP	KW	ESP	BHP	KW
208 VOLT AND STANDARD DRIVE																
850	6.0**	0.9	2.4	2.2	0.7	3.0	2.7	0.5	3.2	2.9	-	-	-	-	-	-
870	5.5	1.0	2.5	2.3	0.8	3.1	2.8	0.6	3.5	3.1	0.2	4.1	3.7	-	-	-
915	4.5	1.1	2.6	2.4	0.9	3.4	3.0	0.7	3.7	3.3	0.3	4.4	3.9	0.2	4.5	4.0
965	3.5	1.2	2.9	2.6	1.0	3.6	3.2	0.8	4.0	3.6	0.5	4.7	4.2	0.4	4.9	4.4
980	3.0	1.3	3.0	2.7	1.1	3.7	3.3	0.9	4.1	3.7	0.6	4.8	4.3	0.5	5.1	4.6
1010	2.0	1.4	3.1	2.8	1.2	3.8	3.4	1.0	4.2	3.8	0.7	5.0	4.5	0.6	5.4	4.8
1040	1.0	1.5	3.2	2.9	1.3	3.9	3.5	1.1	4.5	4.0	0.9	5.2	4.7	0.7	5.7	5.1
208 VOLT AND HIGH SPEED DRIVE																
965	6.0	1.2	2.9	2.6	1.0	3.6	3.2	0.8	4.0	3.6	0.5	4.7	4.2	0.4	5.0	4.4
980	5.5	1.3	3.0	2.7	1.1	3.7	3.3	0.9	4.1	3.7	0.6	4.8	4.3	0.5	5.1	4.6
1025	4.5	1.5	3.2	2.9	1.3	3.9	3.5	1.1	4.5	4.0	0.8	5.1	4.6	0.7	5.6	5.0
1065	3.5	1.6	3.4	3.0	1.4	4.0	3.6	1.2	4.7	4.2	1.0	5.5	4.9	-	-	-
1095	3.0	1.7	3.5	3.1	1.5	4.2	3.8	1.3	4.9	4.4	1.2	5.7	5.1	-	-	-
1130	2.0	1.9	3.7	3.3	1.7	4.5	4.0	1.5	5.1	4.6	-	-	-	-	-	-
1170	1.0	2.1	3.9	3.5	2.0	4.7	4.2	1.8	5.5	4.9	-	-	-	-	-	-
230/460/575 VOLT AND STANDARD DRIVE																
870	6.0**	1.0	2.4	2.2	0.8	3.1	2.8	0.6	3.5	3.1	0.2	4.1	3.7	-	-	-
915	5.0	1.1	2.6	2.4	0.9	3.3	3.0	0.7	3.7	3.3	0.3	4.4	3.9	0.2	4.5	4.0
965	4.0	1.2	2.9	2.6	1.0	3.6	3.2	0.8	4.0	3.6	0.5	4.7	4.2	0.4	5.0	4.4
980	3.5	1.3	3.0	2.7	1.1	3.7	3.3	0.9	4.1	3.7	0.6	4.8	4.3	0.5	5.1	4.6
1040	2.0	1.5	3.2	2.9	1.3	3.9	3.5	1.1	4.5	4.0	0.9	5.3	4.7	0.7	5.7	5.1
1065	1.0	1.6	3.3	3.0	1.4	4.0	3.6	1.2	4.7	4.2	1.0	5.5	4.9	-	-	-
230/460/575 VOLT AND HIGH SPEED DRIVE																
980	6.0	1.3	2.9	2.6	1.1	3.7	3.3	0.9	4.1	3.7	0.6	4.8	4.3	0.5	5.1	4.6
1040	4.5	1.5	3.2	2.9	1.3	3.9	3.5	1.1	4.5	4.0	0.9	5.3	4.7	0.7	5.7	5.1
1065	4.0	1.6	3.4	3.0	1.4	4.0	3.6	1.2	4.7	4.2	1.0	5.5	4.9	-	-	-
1095	3.5	1.7	3.5	3.1	1.5	4.2	3.8	1.3	4.9	4.4	1.2	5.7	5.1	-	-	-
1130	2.5	1.9	3.7	3.3	1.7	4.5	4.0	1.5	5.1	4.6	-	-	-	-	-	-
1170	1.5	2.1	3.9	3.5	2.0	4.7	4.2	1.8	5.5	4.9	-	-	-	-	-	-
1190	1.0	2.2	4.0	3.6	2.1	4.8	4.3	2.0	5.7	5.1	-	-	-	-	-	-

- NOTES: 1. Blower performance includes fixed outdoor air, 2" T/A filters, a dry evaporator coil and no electric heat.
2. Refer to Table 11 for additional static resistances.
ESP = External Static Pressure available for the supply and return air duct system. All internal unit resistances have been deducted from the total static pressure of the blower.
* Do NOT close the pulley below 1 turn open.
** Factory setting.

**TABLE 9: SUPPLY AIR BLOWER PERFORMANCE (17.5 TON) - COOLING ONLY
210 MBH - BOTTOM DUCT CONNECTIONS**

BLOWER SPEED, (RPM)	MOTOR PULLEY (TURNS OPEN)*	CFM											
		6000			7000			8000			9000		
		ESP	BHP	KW	ESP	BHP	KW	ESP	BHP	KW	ESP	BHP	KW
208 VOLT AND STANDARD DRIVE													
870	6.0**	0.4	2.1	1.8	0.1	2.3	2.0	-	-	-	-	-	-
900	5.0	0.8	3.2	2.7	0.5	3.5	2.9	0.2	3.8	3.2	-	-	-
930	4.0	1.1	4.1	3.4	0.9	4.5	3.8	0.6	4.9	4.1	0.1	5.1	4.3
950	3.0	1.3	4.6	3.9	1.1	5.1	4.3	0.8	5.5	4.6	0.4	5.9	5.0
980	2.0	1.6	5.3	4.5	1.4	5.8	4.9	1.2	6.3	5.3	0.7	6.9	5.8
1015	1.0	1.9	5.9	5.0	1.7	6.5	5.5	1.5	7.0	5.9	1.0	7.7	6.5
208 VOLT AND HIGH SPEED DRIVE													
950	6.0	1.3	4.6	3.9	1.1	5.1	4.3	0.8	5.5	4.6	0.4	5.9	5.0
980	5.0	1.6	5.3	4.5	1.4	5.8	4.9	1.2	6.3	5.3	0.7	6.9	5.8
1010	4.0	1.8	5.8	4.9	1.7	6.3	5.3	1.5	6.9	5.8	1.0	7.5	6.3
1020	3.5	1.9	6.1	5.1	1.8	6.5	5.5	1.6	7.1	6.0	1.1	7.8	6.6
1035	3.0	2.0	6.2	5.2	1.9	6.8	5.7	1.7	7.4	6.2	1.2	8.1	6.8
1050	2.5	2.1	6.4	5.4	2.0	7.0	5.9	1.8	7.6	6.4	1.3	8.3	7.0
1075	2.0	2.3	6.6	5.5	2.1	7.2	6.0	1.9	7.8	6.6	1.5	8.6	7.2
1100	1.0	2.4	6.7	5.6	2.2	7.3	6.1	2.1	7.9	6.7	-	-	-
230/460/575 VOLT AND STANDARD DRIVE													
870	6.0**	0.4	2.1	1.8	0.1	2.3	2.0	-	-	-	-	-	-
900	5.0	0.8	3.2	2.7	0.5	3.5	2.9	0.2	3.8	3.2	-	-	-
930	4.0	1.1	4.1	3.4	0.9	4.5	3.8	0.6	4.9	4.1	0.1	5.1	4.3
950	3.5	1.3	4.6	3.9	1.1	5.1	4.3	0.8	5.5	4.6	0.4	5.9	5.0
980	2.5	1.6	5.3	4.5	1.4	5.8	4.9	1.2	6.3	5.3	0.7	6.9	5.8
1015	1.5	1.9	5.9	5.0	1.7	6.5	5.5	1.5	7.0	5.9	1.0	7.7	6.5
1025	1.0	2.0	6.1	5.1	1.8	6.6	5.6	1.6	7.3	6.1	1.1	7.9	6.7
230/460/575 VOLT AND HIGH SPEED DRIVE													
950	6.0	1.3	4.6	3.9	1.1	5.1	4.3	0.8	5.5	4.6	0.4	5.9	5.0
980	5.0	1.6	5.3	4.5	1.4	5.8	4.9	1.2	6.3	5.3	0.7	6.9	5.8
1015	4.0	1.9	5.9	5.0	1.7	6.5	5.5	1.5	7.0	5.9	1.0	7.7	6.5
1035	3.5	2.0	6.2	5.2	1.9	6.8	5.7	1.7	7.4	6.2	1.2	8.1	6.8
1050	3.0	2.1	6.4	5.4	2.0	7.0	5.9	1.8	7.6	6.4	1.3	8.3	7.0
1080	2.0	2.3	6.6	5.5	2.1	7.2	6.0	1.9	7.8	6.6	1.5	8.6	7.2
1100	1.5	2.4	6.7	5.6	2.2	7.3	6.1	2.1	7.9	6.7	-	-	-
1120	1.0	2.5	6.8	5.7	2.3	7.4	6.2	2.2	8.1	6.8	-	-	-

NOTES: 1. Blower performance includes fixed outdoor air, 2" T/A filters, a dry evaporator coil and no electric heat.

2. Refer to Table 13 for additional static resistances.

ESP = External Static Pressure available for the supply and return air duct system. All internal unit resistances have been deducted from the total static pressure of the blower.

* Do **NOT** close the pulley below 1 turn open.

** Factory setting.

**TABLE 10: SUPPLY AIR BLOWER PERFORMANCE (20 TON) - COOLING ONLY
240 MBH - BOTTOM DUCT CONNECTIONS**

BLOWER SPEED, (RPM)	MOTOR PULLEY (TURNS OPEN)*	CFM														
		6000			7000			8000			9000			9400		
		ESP	BHP	KW	ESP	BHP	KW	ESP	BHP	KW	ESP	BHP	KW	ESP	BHP	KW
208 VOLT AND STANDARD DRIVE																
870	6.0**	0.4	2.1	1.8	0.1	2.3	2.0	-	-	-	-	-	-	-	-	-
900	5.0	0.8	3.2	2.7	0.5	3.5	2.9	0.2	3.8	3.2	-	-	-	-	-	-
930	4.0	1.1	4.1	3.4	0.9	4.5	3.8	0.6	4.9	4.1	0.1	5.1	4.3	-	-	-
950	3.0	1.3	4.6	3.9	1.1	5.1	4.3	0.8	5.5	4.6	0.4	5.9	5.0	-	-	-
980	2.0	1.6	5.3	4.5	1.4	5.8	4.9	1.2	6.3	5.3	0.7	6.9	5.8	0.2	7.3	6.1
1015	1.0	1.9	5.9	5.0	1.7	6.5	5.5	1.5	7.0	5.9	1.0	7.7	6.5	0.6	8.2	6.9
208 VOLT AND HIGH SPEED DRIVE																
950	6.0	1.3	4.6	3.9	1.1	5.1	4.3	0.8	5.5	4.6	0.4	5.9	5.0	-	-	-
980	5.0	1.6	5.3	4.5	1.4	5.8	4.9	1.2	6.3	5.3	0.7	6.9	5.8	0.2	7.3	6.1
1010	4.0	1.8	5.8	4.9	1.7	6.3	5.3	1.5	6.9	5.8	1.0	7.5	6.3	0.5	7.9	6.7
1020	3.5	1.9	6.1	5.1	1.8	6.5	5.5	1.6	7.1	6.0	1.1	7.8	6.6	0.6	8.3	7.0
1035	3.0	2.0	6.2	5.2	1.9	6.8	5.7	1.7	7.4	6.2	1.2	8.1	6.8	0.7	8.6	7.3
1050	2.5	2.1	6.4	5.4	2.0	7.0	5.9	1.8	7.6	6.4	1.3	8.3	7.0	-	-	-
1075	2.0	2.3	6.6	5.5	2.1	7.2	6.0	1.9	7.8	6.6	1.5	8.6	7.2	-	-	-
1100	1.0	2.4	6.7	5.6	2.2	7.3	6.1	2.1	7.9	6.7	-	-	-	-	-	-
230/460/575 VOLT AND STANDARD DRIVE																
870	6.0**	0.4	2.1	1.8	0.1	2.3	2.0	-	-	-	-	-	-	-	-	-
900	5.0	0.8	3.2	2.7	0.5	3.5	2.9	0.2	3.8	3.2	-	-	-	-	-	-
930	4.0	1.1	4.1	3.4	0.9	4.5	3.8	0.6	4.9	4.1	0.1	5.1	4.3	-	-	-
950	3.5	1.3	4.6	3.9	1.1	5.1	4.3	0.8	5.5	4.6	0.4	5.9	5.0	-	-	-
980	2.5	1.6	5.3	4.5	1.4	5.8	4.9	1.2	6.3	5.3	0.7	6.9	5.8	0.2	7.3	6.1
1015	1.5	1.9	5.9	5.0	1.7	6.5	5.5	1.5	7.0	5.9	1.0	7.7	6.5	0.6	8.2	6.9
1025	1.0	2.0	6.1	5.1	1.8	6.6	5.6	1.6	7.3	6.1	1.1	7.9	6.7	0.7	8.6	7.3
230/460/575 VOLT AND HIGH SPEED DRIVE																
950	6.0	1.3	4.6	3.9	1.1	5.1	4.3	0.8	5.5	4.6	0.4	5.9	5.0	-	-	-
980	5.0	1.6	5.3	4.5	1.4	5.8	4.9	1.2	6.3	5.3	0.7	6.9	5.8	0.2	7.3	6.1
1015	4.0	1.9	5.9	5.0	1.7	6.5	5.5	1.5	7.0	5.9	1.0	7.7	6.5	0.6	8.2	6.9
1035	3.5	2.0	6.2	5.2	1.9	6.8	5.7	1.7	7.4	6.2	1.2	8.1	6.8	0.7	8.6	7.3
1050	3.0	2.1	6.4	5.4	2.0	7.0	5.9	1.8	7.6	6.4	1.3	8.3	7.0	-	-	-
1080	2.0	2.3	6.6	5.5	2.1	7.2	6.0	1.9	7.8	6.6	1.5	8.6	7.2	-	-	-
1100	1.5	2.4	6.7	5.6	2.2	7.3	6.1	2.1	7.9	6.7	-	-	-	-	-	-
1120	1.0	2.5	6.8	5.7	2.3	7.4	6.2	2.2	8.1	6.8	-	-	-	-	-	-

- NOTES: 1. Blower performance includes fixed outdoor air, 2" T/A filters, a dry evaporator coil and no electric heat.
2. Refer to Table 11 for additional static resistances.
ESP = External Static Pressure available for the supply and return air duct system. All internal unit resistances have been deducted from the total static pressure of the blower.
* Do **NOT** close the pulley below 1 turn open.
** Factory setting.

**TABLE 11: SUPPLY AIR BLOWER PERFORMANCE (15 TON) - GAS HEAT
180 MBH - BOTTOM DUCT CONNECTIONS**

BLOWER SPEED, (RPM)	MOTOR PULLEY (TURNS OPEN)*	CFM														
		4500			5250			6000			6750			7200		
		ESP	BHP	KW	ESP	BHP	KW	ESP	BHP	KW	ESP	BHP	KW	ESP	BHP	KW
208 VOLT AND STANDARD DRIVE																
850	6.0**	0.9	2.4	2.1	0.6	2.9	2.6	0.3	3.4	3.0	-	-	-	-	-	-
870	5.5	1.0	2.5	2.2	0.7	3.0	2.7	0.4	3.5	3.1	-	-	-	-	-	-
915	4.5	1.1	2.6	2.4	0.8	3.1	2.8	0.5	3.6	3.2	0.2	4.1	3.7	-	-	-
965	3.5	1.2	2.7	2.5	0.9	3.2	2.9	0.6	3.7	3.3	0.4	4.4	3.0	0.2	5.0	4.5
980	3.0	1.3	2.9	2.6	1.0	3.4	3.0	0.7	3.8	3.4	0.5	4.5	4.0	0.3	5.1	4.6
1010	2.0	1.4	3.0	2.7	1.1	3.6	3.2	0.8	4.0	3.6	0.6	4.7	4.2	0.4	5.4	4.8
1040	1.0	1.6	3.2	2.9	1.3	3.8	3.4	1.0	4.4	3.9	0.8	5.0	4.5	0.6	5.6	5.0
208 VOLT AND HIGH SPEED DRIVE																
965	6.0	1.2	2.7	2.5	0.9	3.2	2.9	0.6	3.7	3.3	0.4	4.4	3.9	0.2	5.0	4.5
980	5.5	1.3	2.9	2.6	1.0	3.4	3.0	0.7	3.8	3.4	0.5	4.5	4.0	0.3	5.1	4.6
1025	4.5	1.4	3.1	2.8	1.2	3.6	3.2	0.9	4.1	3.7	0.7	4.8	4.3	0.4	5.5	4.9
1065	3.5	1.6	3.4	3.0	1.4	3.9	3.5	1.1	4.5	4.0	0.9	5.1	4.6	-	-	-
1125	2.0	1.9	3.6	3.2	1.7	4.4	3.9	1.4	5.0	4.5	1.2	5.8	5.2	-	-	-
1170	1.0	2.1	3.9	3.5	1.9	4.7	4.2	1.6	5.5	4.9	-	-	-	-	-	-
230/460/575 VOLT AND STANDARD DRIVE																
870	6.0**	1.0	2.5	2.2	0.7	3.0	2.7	0.4	3.5	3.1	-	-	-	-	-	-
915	5.0	1.1	2.6	2.4	0.8	3.1	2.8	0.5	3.6	3.2	0.2	4.1	3.7	-	-	-
965	4.0	1.2	2.7	2.5	0.9	3.2	2.9	0.6	3.7	3.3	0.4	4.4	3.9	0.2	5.0	4.5
980	3.5	1.3	2.9	2.6	1.0	3.4	3.0	0.7	3.8	3.4	0.5	4.5	4.0	0.3	5.1	4.6
1015	2.5	1.4	3.0	2.7	1.1	3.6	3.2	0.8	4.0	3.6	0.6	4.7	4.2	0.4	5.4	4.8
1050	1.5	1.5	3.1	2.8	1.2	3.7	3.3	0.9	4.2	3.8	0.7	4.9	4.4	0.5	5.7	5.1
1065	1.0	1.6	3.4	3.0	1.4	3.9	3.5	1.1	4.5	4.0	0.9	5.1	4.6	-	-	-
230/460/575 VOLT AND HIGH SPEED DRIVE																
980	6.0	1.3	2.9	2.6	1.0	3.4	3.0	0.7	3.8	3.4	0.5	4.5	4.0	0.3	5.1	4.6
1045	4.5	1.6	3.2	2.9	1.3	3.8	3.4	1.0	4.4	3.9	0.8	5.0	4.5	0.6	5.6	5.0
1065	4.0	1.7	3.4	3.0	1.4	3.9	3.5	1.1	4.5	4.0	0.9	5.1	4.6	-	-	-
1125	2.5	1.9	3.6	3.2	1.7	4.4	3.9	1.4	5.0	4.5	1.2	5.8	5.2	-	-	-
1170	1.5	2.1	3.9	3.5	1.8	4.7	4.2	1.6	5.5	4.9	-	-	-	-	-	-
1190	1.0	2.2	4.0	3.6	1.9	4.8	4.3	1.7	5.6	5.0	-	-	-	-	-	-

- NOTES: 1. Blower performance includes a gas-fired heat exchanger, fixed outdoor air, two-inch T/A filters and a dry evaporator coil.
2. Refer to the additional Static Resistances table.
ESP = External Static Pressure available for the supply and return air duct system. All internal unit resistances have been deducted from the total static pressure of the blower.
* Do **NOT** close the pulley below 1 turn open.
** Factory setting.

**TABLE 12: SUPPLY AIR BLOWER PERFORMANCE (17.5 TON) - GAS HEAT
210 MBH - BOTTOM DUCT CONNECTIONS**

BLOWER SPEED, (RPM)	MOTOR PULLEY (TURNS OPEN)*	CFM											
		6000			7000			8000			9000		
		ESP	BHP	KW	ESP	BHP	KW	ESP	BHP	KW	ESP	BHP	KW
208 VOLT AND STANDARD DRIVE													
870	6.0**	1.3	3.6	3.0	0.7	4.3	3.7	0.2	5.1	4.3	-	-	-
900	5.0	1.4	3.8	3.2	0.9	4.7	4.0	0.4	5.6	4.7	-	-	-
930	4.0	1.6	4.1	3.4	1.1	5.0	4.2	0.6	5.9	5.0	0.1	6.7	5.7
950	3.0	1.7	4.2	3.6	1.3	5.1	4.3	0.8	6.0	5.1	0.2	6.9	5.8
980	2.0	1.9	4.5	3.8	1.5	5.4	4.5	1.0	6.3	5.3	0.4	7.2	6.1
995	1.5	2.1	4.6	3.9	1.6	5.5	4.7	1.1	6.4	5.4	0.5	7.5	6.3
1015	1.0	2.2	4.8	4.0	1.7	5.7	4.8	1.2	6.6	5.6	0.7	7.8	6.6
208 VOLT AND HIGH SPEED DRIVE													
950	6.0	1.7	4.2	3.6	1.3	5.1	4.3	0.8	6.0	5.1	0.2	6.9	5.8
980	5.0	1.9	4.5	3.8	1.5	5.4	4.5	1.0	6.3	5.3	0.4	7.2	6.1
995	4.5	2.1	4.5	3.9	1.6	5.5	4.7	1.1	6.4	5.4	0.5	7.5	6.3
1025	3.5	2.3	4.9	4.1	1.8	5.8	4.9	1.3	6.7	5.7	0.7	8.0	6.7
1050	2.5	2.5	5.1	4.3	2.0	6.1	5.1	1.4	7.1	6.0	0.9	8.4	7.0
1065	2.0	2.6	5.3	4.4	2.1	6.3	5.3	1.5	7.3	6.2	1.0	8.6	7.2
1100	1.0	2.9	5.6	4.7	2.3	6.8	5.7	1.8	7.9	6.6	-	-	-
230/460/575 VOLT AND STANDARD DRIVE													
870	6.0**	1.3	3.6	3.0	0.7	4.3	3.7	0.2	5.1	4.3	-	-	-
900	5.0	1.4	3.8	3.2	0.9	4.7	4.0	0.4	5.6	4.7	-	-	-
930	4.0	1.6	4.1	3.4	1.1	5.0	4.2	0.6	5.9	5.0	0.1	6.7	5.7
950	3.5	1.7	4.2	3.6	1.3	5.1	4.3	0.8	6.0	5.1	0.2	6.9	5.8
965	2.5	1.9	4.5	3.8	1.5	5.4	4.5	1.0	6.3	5.3	0.4	7.2	6.1
995	2.0	2.1	4.6	3.9	1.6	5.5	4.7	1.1	6.4	5.4	0.5	7.5	6.3
1015	1.5	2.2	4.8	4.0	1.7	5.7	4.8	1.2	6.6	5.6	0.6	7.8	6.6
1025	1.0	2.3	4.9	4.1	1.8	5.8	4.9	1.3	6.7	5.7	0.7	8.0	6.7
230/460/575 VOLT AND HIGH SPEED DRIVE													
950	6.0	1.7	4.2	3.6	1.3	5.1	4.3	0.8	6.0	5.1	0.2	6.9	5.8
980	5.0	1.9	4.5	3.8	1.5	5.4	4.5	1.0	6.3	5.3	0.4	7.2	6.1
995	4.5	2.1	4.6	3.9	1.6	5.5	4.7	1.1	6.4	5.4	0.5	7.5	6.3
1015	4.0	2.2	4.8	4.0	1.7	5.7	4.8	1.2	6.6	5.6	0.6	7.8	6.6
1025	3.5	2.3	4.9	4.1	1.8	5.8	4.9	1.3	6.7	5.7	0.7	8.0	6.7
1050	3.0	2.5	5.1	4.3	2.0	6.1	5.1	1.4	7.1	6.0	0.9	8.4	7.0
1065	2.5	2.6	5.3	4.4	2.1	6.3	5.3	1.5	7.3	6.2	1.0	8.6	7.2
1100	1.5	2.9	5.6	4.7	2.3	6.8	4.7	1.8	7.9	6.6	-	-	-
1120	1.0	3.1	5.8	4.9	2.5	7.0	5.9	1.9	8.3	6.9	-	-	-

- NOTES: 1. Blower performance includes a gas-fired heat exchanger, fixed outdoor air, two-inch T/A filters and a dry evaporator coil.
2. Refer to the additional Static Resistances table.
ESP = External Static Pressure available for the supply and return air duct system. All internal unit resistances have been deducted from the total static pressure of the blower.
* Do **NOT** close the pulley below 1 turn open.
** Factory setting.

**TABLE 13: SUPPLY AIR BLOWER PERFORMANCE (20 TON) - GAS HEAT
240 MBH - BOTTOM DUCT CONNECTIONS**

BLOWER SPEED, (RPM)	MOTOR PULLEY (TURNS OPEN)*	CFM														
		6000			7000			8000			9000			9400		
		ESP	BHP	KW	ESP	BHP	KW	ESP	BHP	KW	ESP	BHP	KW	ESP	BHP	KW
208 VOLT AND STANDARD DRIVE																
870	6.0**	1.3	3.6	3.0	0.7	4.3	3.7	0.2	5.1	4.3	-	-	-	-	-	-
900	5.0	1.4	3.8	3.2	0.9	4.7	4.0	0.4	5.6	4.7	-	-	-	-	-	-
930	4.0	1.6	4.1	3.4	1.1	5.0	4.2	0.6	5.9	5.0	0.1	6.7	5.7	-	-	-
950	3.0	1.7	4.2	3.6	1.3	5.1	4.3	0.8	6.0	5.1	0.2	6.9	5.8	-	-	-
980	2.0	1.9	4.5	3.8	1.5	5.4	4.5	1.0	6.3	5.3	0.4	7.2	6.1	0.1	8.5	7.1
995	1.5	2.1	4.6	3.9	1.6	5.5	4.7	1.1	6.4	5.4	0.5	7.5	6.3	0.2	8.6	7.3
1015	1.0	2.2	4.8	4.0	1.7	5.7	4.8	1.2	6.6	5.6	0.6	7.8	6.6	-	-	-
208 VOLT AND HIGH SPEED DRIVE																
950	6.0	1.7	4.2	3.6	1.3	5.1	4.3	0.8	6.0	5.1	0.2	6.9	5.8	-	-	-
980	5.0	1.9	4.5	3.8	1.5	5.4	4.5	1.0	6.3	5.3	0.4	7.2	6.1	0.1	8.5	7.1
995	4.5	2.1	4.5	3.9	1.6	5.5	4.7	1.1	6.4	5.4	0.5	7.5	6.3	0.2	8.6	7.3
1025	3.5	2.3	4.9	4.1	1.8	5.8	4.9	1.3	6.7	5.7	0.7	8.0	6.7	-	-	-
1050	2.5	2.5	5.1	4.3	2.0	6.1	5.1	1.4	7.1	6.0	0.9	8.4	7.0	-	-	-
1065	2.0	2.6	5.3	4.4	2.1	6.3	5.3	1.5	7.3	6.2	1.0	8.6	7.2	-	-	-
1100	1.0	2.9	5.6	4.7	2.3	6.8	5.7	1.8	7.9	6.6	-	-	-	-	-	-
230/460/575 VOLT AND STANDARD DRIVE																
870	6.0**	1.3	3.6	3.0	0.7	4.3	3.7	0.2	5.1	4.3	-	-	-	-	-	-
900	5.0	1.4	3.8	3.2	0.9	4.7	4.0	0.4	5.6	4.7	-	-	-	-	-	-
930	4.0	1.6	4.1	3.4	1.1	5.0	4.2	0.6	5.9	5.0	0.1	6.7	5.7	-	-	-
950	3.5	1.7	4.2	3.6	1.3	5.1	4.3	0.8	6.0	5.1	0.2	6.9	5.8	-	-	-
965	2.5	1.9	4.5	3.8	1.5	5.4	4.5	1.0	6.3	5.3	0.4	7.2	6.1	0.1	8.5	7.1
995	2.0	2.1	4.6	3.9	1.6	5.5	4.7	1.1	6.4	5.4	0.5	7.5	6.3	0.2	8.6	7.3
1015	1.5	2.2	4.8	4.0	1.7	5.7	4.8	1.2	6.6	5.6	0.6	7.8	6.6	-	-	-
1025	1.0	2.3	4.9	4.1	1.8	5.8	4.9	1.3	6.7	5.7	0.7	8.0	6.7	-	-	-
230/460/575 VOLT AND HIGH SPEED DRIVE																
950	6.0	1.7	4.2	3.6	1.3	5.1	4.3	0.8	6.0	5.1	0.2	6.9	5.8	-	-	-
980	5.0	1.9	4.5	3.8	1.5	5.4	4.5	1.0	6.3	5.3	0.4	7.2	6.1	0.1	8.5	7.1
995	4.5	2.1	4.6	3.9	1.6	5.5	4.7	1.1	6.4	5.4	0.5	7.5	6.3	0.2	8.6	7.3
1015	4.0	2.2	4.8	4.0	1.7	5.7	4.8	1.2	6.6	5.6	0.6	7.8	6.6	-	-	-
1025	3.5	2.3	4.9	4.1	1.8	5.8	4.9	1.3	6.7	5.7	0.7	8.0	6.7	-	-	-
1050	3.0	2.5	5.1	4.3	2.0	6.1	5.1	1.4	7.1	6.0	0.9	8.4	7.0	-	-	-
1065	2.5	2.6	5.3	4.4	2.1	6.3	5.3	1.5	7.3	6.2	1.0	8.6	7.2	-	-	-
1100	1.5	2.9	5.6	4.7	2.3	6.8	4.7	1.8	7.9	6.6	-	-	-	-	-	-
1120	1.0	3.1	5.8	4.9	2.5	7.0	5.9	1.9	8.3	6.9	-	-	-	-	-	-

- NOTES: 1. Blower performance includes a gas-fired heat exchanger, fixed outdoor air, two-inch T/A filters and a dry evaporator coil.
2. Refer to the additional Static Resistances table.
ESP = External Static Pressure available for the supply and return air duct system. All internal unit resistances have been deducted from the total static pressure of the blower.
* Do **NOT** close the pulley below 1 turn open.
** Factory setting.

TABLE 14: BLOWER MOTOR AND DRIVE DATA

MODEL SIZE	DRIVE	BLOWER RANGE (RPM)	MOTOR ¹			ADJUSTABLE MOTOR PULLEY				FIXED BLOWER PULLEY				BELT (NOTCHED)		
			HP	FRAME	EFF. (%)	DESIG-NATION	OUTSIDE DIA. (IN.)	PITCH DIA. (IN.)	BORE (IN.)	DESIG-NATION	OUTSIDE DIA. (IN.)	PITCH DIA. (IN.)	BORE (IN.)	DESIG-NATION	PITCH LENGTH (IN.)	QTY.
15 TON	Standard	850/1065	5	184 T	83	1VP56	5.35	4.3-5.3 ²	1-1/8	BK90	8.75	8.4	1	BX70	82.8	1
	High Speed Access	965/1190								BK80	7.75	7.4	1	BX68	69.8	1
17.5 & 20 TON	Standard	870/1025	7.5	213 T	89	1VP68	6.75	5.5-6.5 ²	1-3/8	BK120	11.75	11.4	1-3/16	BX83	84.8	1
	High Speed Access	950/1120								BK110	10.75	10.4	1-3/16	BX81	82.8	1

- All motors have a nominal speed of 1800 RPM, a 1.15 service factor and a solid base. They can operate to the limit of their service factor because they are located in the moving air, upstream of any heating device.
- Do NOT close this pulley below 1 turn open.

TABLE 15: STATIC RESISTANCES¹

DESCRIPTION		RESISTANCE, IWG								
		CFM								
		15 TON			17.5 TON			20 TON		
		4500	5765	7200	6000	7500	9400	6000	7000	9400
WET COIL		0.1	0.1	0.1	0.1	0.1	0.1	0.1	0.1	0.1
ELECTRIC HEAT OPTIONS (DH models only)	18kW	0.1	0.1	0.1	0.1	0.1	0.1	0.1	0.1	0.1
	36kW	0.1	0.2	0.3	0.1	0.2	0.3	0.1	0.2	0.3
	54kW	0.2	0.3	0.4	0.2	0.3	0.4	0.2	0.3	0.4
	72kW	0.2	0.4	0.6	0.2	0.4	0.6	0.2	0.4	0.6
ECONOMIZER OPTION		0.1	0.1	0.1	0.1	0.1	0.1	0.1	0.1	0.1
HORIZONTAL DUCT CONN. ²		0.2	0.3	0.5	0.2	0.3	0.5	0.2	0.3	0.5

- Deduct these resistance values from the available unit ESP values listed in the respective blower performance table except for Horizontal Duct Connections.
- Add these values due to less airflow resistance.

TABLE 16: POWER EXHAUST PERFORMANCE

MOTOR SPEED ¹	STATIC RESISTANCE OF RETRUN DUCTWORK, IWG									
	0.2		0.3		0.4		0.5		0.6	
	CFM	kW	CFM	kW	CFM	kW	CFM	kW	CFM	kW
HIGH ²	5250	0.83	4500	0.85	4200	0.88	3750	0.93	3000	0.99
MEDIUM	4900	0.77	3900	0.79	3500	0.82	2900	0.85	-	-
LOW	4400	0.72	3700	0.74	3000	0.78	-	-	-	-

- Power exhaust motor is a 3/4 HP, PSC type with sleeve bearings, a 48 frame and inherent protection.
- The factory setting.

TABLE 17: DH ELECTRICAL DATA WITHOUT POWERED CONVENIENCE OUTLET

MODEL TONNAGE	VOLTAGE	COMPRESSORS		OD FAN MOTORS FLA EACH	ID BLOWER MOTOR FLA	CONV OUTLET AMPS	HEATER OPTION				MIN. CIRCUIT AMPACITY (AMPS)	MAX. FUSE/ BRKR ¹ SIZE (AMPS)
		RLA EACH	LRA EACH				MODEL	KW	STAGES	AMPS		
DH180	208-3-60	21.8	184	4.5	12.8	0.0	None	--	--	--	70.9	90
							E18	13.5	1	37.5	70.9	90
							E36	27	2	74.9	109.7	110
							E54	40.6	2	112.7	156.9	175
							E72	54.1	2	150.2	166.2	200
	230-3-60	21.8	184	4.3	12.8	0.0	None	--	--	--	70.5	90
							E18	18.0	1	43.3	70.5	90
							E36	36.0	2	86.6	124.3	125
							E54	54.0	2	129.9	145.9	175
							E72	72.0	2	173.2	189.2	225
	460-3-60	11.0	90	2.2	6.4	0.0	None	--	--	--	35.6	45
							E18	18.0	1	21.7	35.6	45
							E36	36.0	2	43.3	62.1	70
							E54	54.0	2	65.0	73.0	80
							E72	72.0	2	86.6	94.6	110
	575-3-60	9.6	73	1.7	5.2	0.0	None	--	--	--	30.2	35
E18							18.0	1	17.3	30.2	35	
E36							36.0	2	34.6	49.8	50	
E54							54.0	2	52.0	58.5	70	
E72							72.0	2	69.3	75.8	90	
DH210	208-3-60	25.6	190	4.5	20.0	0.0	None	--	--	--	86.6	110
							E18	13.5	1	37.5	86.6	110
							E36	27	2	74.9	118.7	125
							E54	40.6	2	112.7	165.9	175
							E72	54.1	2	150.2	175.2	200
	230-3-60	25.6	190	4.3	20.0	0.0	None	--	--	--	86.2	110
							E18	18.0	1	43.3	86.2	110
							E36	36.0	2	86.6	133.3	150
							E54	54.0	2	129.9	154.9	175
							E72	72.0	2	173.2	198.2	225
	460-3-60	12.8	95	2.2	10.0	0.0	None	--	--	--	43.2	50
							E18	18.0	1	21.7	43.2	50
							E36	36.0	2	43.3	66.6	70
							E54	54.0	2	65.0	77.5	90
							E72	72.0	2	86.6	99.1	110
	575-3-60	10.2	75	1.7	7.5	0.0	None	--	--	--	33.9	40
E18							18.0	1	17.3	33.9	40	
E36							36.0	2	34.6	52.7	60	
E54							54.0	2	52.0	61.3	70	
E72							72.0	2	69.3	78.7	90	
DH240	208-3-60	32.1	237	4.5	20.0	0.0	None	--	--	--	101.2	125
							E18	13.5	1	37.5	101.2	125
							E36	27	2	74.9	118.7	125
							E54	40.6	2	112.7	165.9	175
							E72	54.1	2	150.2	175.2	200
	230-3-60	32.1	237	4.3	20.0	0.0	None	--	--	--	100.8	125
							E18	18.0	1	43.3	100.8	125
							E36	36.0	2	86.6	133.3	150
							E54	54.0	2	129.9	154.9	175
							E72	72.0	2	173.2	198.2	225
	460-3-60	14.3	130	2.2	10.0	0.0	None	--	--	--	46.6	60
							E18	18.0	1	21.7	46.6	60
							E36	36.0	2	43.3	66.6	70
							E54	54.0	2	65.0	77.5	90
							E72	72.0	2	86.6	99.1	110
	575-3-60	12.9	85	1.7	7.5	0.0	None	--	--	--	39.9	50
E18							18.0	1	17.3	39.9	50	
E36							36.0	2	34.6	52.7	60	
E54							54.0	2	52.0	61.3	70	
E72							72.0	2	69.3	78.7	90	

NOTE 1: HACR Type per NEC.

TABLE 18: DH ELECTRICAL DATA WITH POWERED CONVENIENCE OUTLET

MODEL TONNAGE	VOLTAGE	COMPRESSORS		OD FAN MOTORS FLA EACH	ID BLOWER MOTOR FLA	CONV OUTLET AMPS	HEATER OPTION				MIN. CIRCUIT AMPACITY (AMPS)	MAX. FUSE/ BRKR ¹ SIZE (AMPS)
		RLA EACH	LRA EACH				MODEL	KW	STAGES	AMPS		
DH180	208-3-60	21.8	184	4.5	12.8	10.0	None	--	--	--	80.9	100
							E18	13.5	1	37.5	80.9	100
							E36	27	2	74.9	122.2	125
							E54	40.6	2	112.7	169.4	175
							E72	54.1	2	150.2	178.7	200
	230-3-60	21.8	184	4.3	12.8	10.0	None	--	--	--	80.5	100
							E18	18.0	1	43.3	82.6	100
							E36	36.0	2	86.6	136.8	150
							E54	54.0	2	129.9	158.4	175
							E72	72.0	2	173.2	201.7	225
	460-3-60	11.0	90	2.2	6.4	5.0	None	--	--	--	40.6	50
							E18	18.0	1	21.7	41.3	50
							E36	36.0	2	43.3	68.4	70
							E54	54.0	2	65.0	79.2	90
							E72	72.0	2	86.6	100.9	110
	575-3-60	9.6	73	1.7	5.2	4.0	None	--	--	--	34.2	40
E18							18.0	1	17.3	34.2	40	
E36							36.0	2	34.6	54.8	60	
E54							54.0	2	52.0	63.5	70	
E72							72.0	2	69.3	80.8	90	
DH210	208-3-60	25.6	190	4.5	20.0	10.0	None	--	--	--	96.6	110
							E18	13.5	1	37.5	96.6	110
							E36	27	2	74.9	131.2	150
							E54	40.6	2	112.7	178.4	200
							E72	54.1	2	150.2	187.7	200
	230-3-60	25.6	190	4.3	20.0	10.0	None	--	--	--	96.2	110
							E18	18.0	1	43.3	96.2	110
							E36	36.0	2	86.6	145.8	150
							E54	54.0	2	129.9	167.4	175
							E72	72.0	2	173.2	210.7	225
	460-3-60	12.8	95	2.2	10.0	5.0	None	--	--	--	48.2	60
							E18	18.0	1	21.7	48.2	60
							E36	36.0	2	43.3	72.9	80
							E54	54.0	2	65.0	83.7	90
							E72	72.0	2	86.6	105.4	110
	575-3-60	10.2	75	1.7	7.5	4.0	None	--	--	--	37.9	45
E18							18.0	1	17.3	37.9	45	
E36							36.0	2	34.6	57.7	60	
E54							54.0	2	52.0	66.3	70	
E72							72.0	2	69.3	83.7	90	
DH240	208-3-60	32.1	237	4.5	20.0	10.0	None	--	--	--	111.2	125
							E18	13.5	1	37.5	111.2	125
							E36	27	2	74.9	131.2	150
							E54	40.6	2	112.7	178.4	200
							E72	54.1	2	150.2	187.7	200
	230-3-60	32.1	237	4.3	20.0	10.0	None	--	--	--	110.8	125
							E18	18.0	1	43.3	110.8	125
							E36	36.0	2	86.6	145.8	150
							E54	54.0	2	129.9	167.4	175
							E72	72.0	2	173.2	210.7	225
	460-3-60	14.3	130	2.2	10.0	5.0	None	--	--	--	51.6	60
							E18	18.0	1	21.7	51.6	60
							E36	36.0	2	43.3	72.9	80
							E54	54.0	2	65.0	83.7	90
							E72	72.0	2	86.6	105.4	110
	575-3-60	12.9	85	1.7	7.5	4.0	None	--	--	--	43.9	50
E18							18.0	1	17.3	43.9	50	
E36							36.0	2	34.6	57.7	60	
E54							54.0	2	52.0	66.3	70	
E72							72.0	2	69.3	83.7	90	

NOTE 1: HACR Type per NEC.

TABLE 19: DH VOLTAGE LIMITATIONS¹

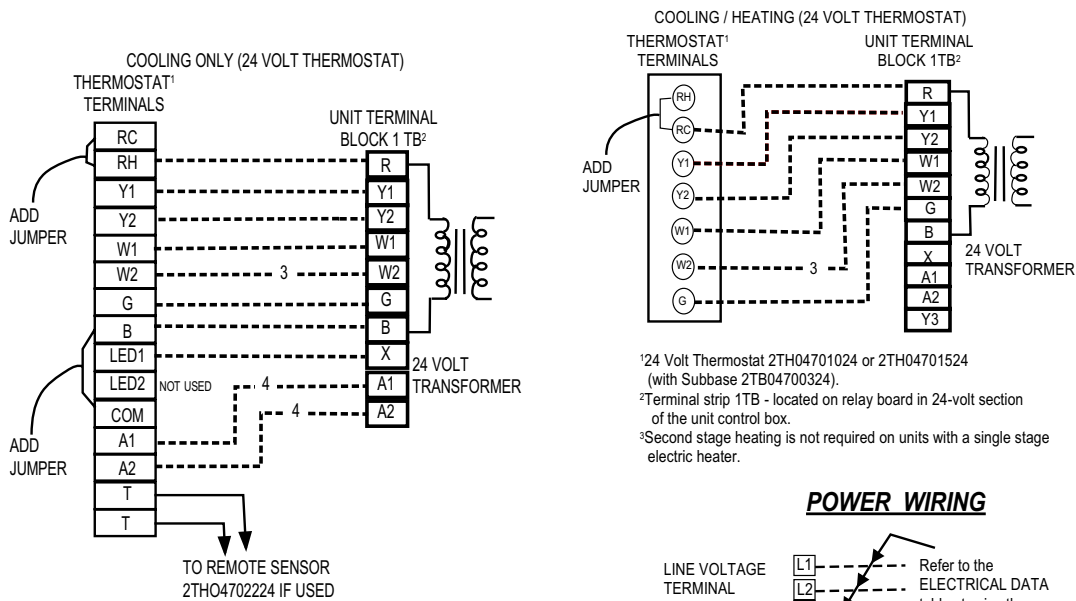
POWER SUPPLY	VOLTAGE	
	MIN.	MAX.
208/230-3-60	187	253
460-3-60	414	506
575-3-60	518	506

1. Utilization Range "A" in accordance with ARI Standard 110.

TABLE 20: ELECTRIC HEAT CORRECTION FACTORS

NOMINAL VOLTAGE	VOLTAGE	KW CAP. MULTIPLIER
208	208	1.00
240	230	0.92
480	460	0.92
600	575	0.92

CONTROL WIRING



¹Electronic programmable thermostat 2ET04700224 (includes subbase).
²Terminal block 1TB- located on relay board in 24-volt section of the unit control box.
³Second stage heating is not required on units with a single stage electric heater.
⁴Terminals A1 and A2 provide a relay output to close the outdoor economizer dampers when the thermostat switches to the set-back position.
 NOTE: Fans switch must be in "ON" position for minimum ventilation during heater operation.

FIGURE 3 - DH FIELD WIRING DIAGRAM

POWER WIRING

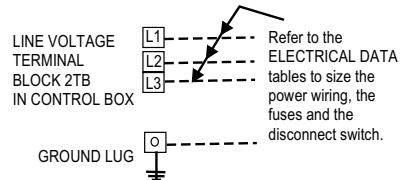


TABLE 21: PHYSICAL DATA

MODELS		DH			
		180	210	240	
EVAPORATOR BLOWER	Centrifugal Blower (Dia. x Wd. in.)	15 x 15	18 x 15	18 x 15	
	Fan Motor HP	5	7.5	7.5	
EVAPORATOR COIL	Rows Deep	4	4	4	
	Fins Per Inch	13.5	13.5	13.5	
	Face Area (Sq. Ft.)	15.5	20.0	20.0	
CONDENSER FANS (Two Per Unit)	Propeller Dia. (in.) (Each)	30	30	30	
	Fan Motor Hp (Each)	1	1	1	
	Nom. CFM (Each)	5765	7000	7000	
CONDENSER COILS (Two Per Unit)	Rows Deep (Each)	3	3	3	
	Fins Per Inch (Each)	13	15	15	
	Face Area (Sq. Ft.) (Total)	36.0	43.3	43.3	
COMPRESSOR (Qty. Per Unit)	7.5 Ton Scroll	2	2	-	
	10 Ton Scroll	-	-	2	
AIR FILTERS	Quantity Per Unit (16" X 20" X 2" or 4")	-	4	4	
	Quantity Per Unit (16" X 25" X 2" or 4")	-	4	4	
	Quantity Per Unit (18" X 24" X 2" or 4")	5	-	-	
	Total Face Area (sq. ft.)	15.0	20.0	20.0	
CHARGE	Refrigerant 22 (lbs./oz.)	System #1	23/10	24/0	24/2
		System #2	21/10	24/8	27/2

TABLE 22: OPERATING WEIGHTS (LBS.)

MODEL SIZE		15 TON	17.5 TON	20 TON	
BASIC UNIT	DH (Cooling Only)	1900	1950	2100	
	DH (Gas/Electric)	240Mbh	2100	2150	2300
		320Mbh	2140	2190	2340
OPTIONS	Economizer	160			
	Economizer with Power Exhaust	245			
	Motorized Damper	150			
	Electric Heater (DH only)	18kW	25		
		36kW	30		
		54kW	35		
72kW		40			
ACCY.	Roof Curb	175	185	185	
	Barometric Damper	45			
	Economizer/Motorized Damper Rain Hood	55			
	Economizer/Power Exhaust Rain Hood	90			
	Wood Skid	220			

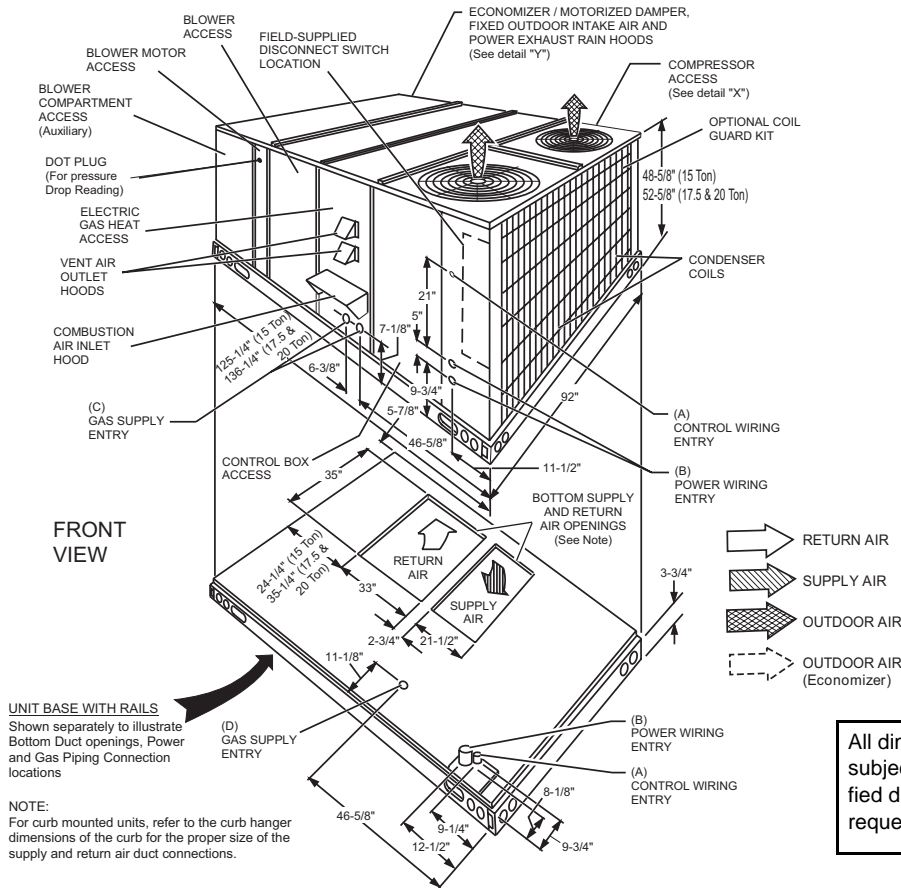


FIGURE 4 - UNIT DIMENSIONS DH 180, 210 & 240 (FRONT VIEW)

TABLE 23: MINIMUM CLEARANCES

LOCATION	CLEARANCE
Front	36"
Back	24" (Less Economizer) 49" (With Economizer)
Left Side (Filter Access)	24" (Less Economizer) 36" (With Economizer)
Right Side (Cond. Coil)	36"
Below Unit¹	0"
Above Unit²	72" With 36" Maximum Horizontal Overhang (For Condenser Air Discharge)

- Units may be installed on combustible floors made from wood or class A, B, or C roof covering material.
- Units must be installed outdoors. Overhanging structures or shrubs should not obstruct condenser air discharge outlet.

NOTE: A 1" clearance must be provided between any combustible material and the supply air ductwork for a distance of 3 feet from the unit.

NOTE: The products of combustion must not be allowed to accumulate within a confined space and recirculate.

TABLE 24: UTILITIES ENTRY

HOLE	OPENING SIZE (DIA.)	USED FOR	
A	1-1/8" KO	Control Wiring	Front
	3/4" NPS (Fem.)		Bottom
B	3-5/8" KO	Power Wiring	Front
	3" NPS (Fem.)		Bottom
C	2-3/8" KO	Gas Piping (Front) ¹	
D	1-11/16" Hole	Gas Piping (Bottom) ^{1,2}	

- One-inch Gas Piping MPT Required.
- Opening in the bottom to the unit can be located by the side in the insulation.

NOTE: Locate unit so that the vent air outlet hood is at least:

- Three (3) feet above any force air inlet located within 10 horizontal feet (excluding those integral to the unit).
- Four (4) feet below, 4 horizontal feet from, or 1 foot above any door or gravity air inlet into the building.
- Four (4) feet from electric and gas meters, regulators and relief equipment.

NOTE: All entry holes should be field sealed to prevent rain water entry into building.

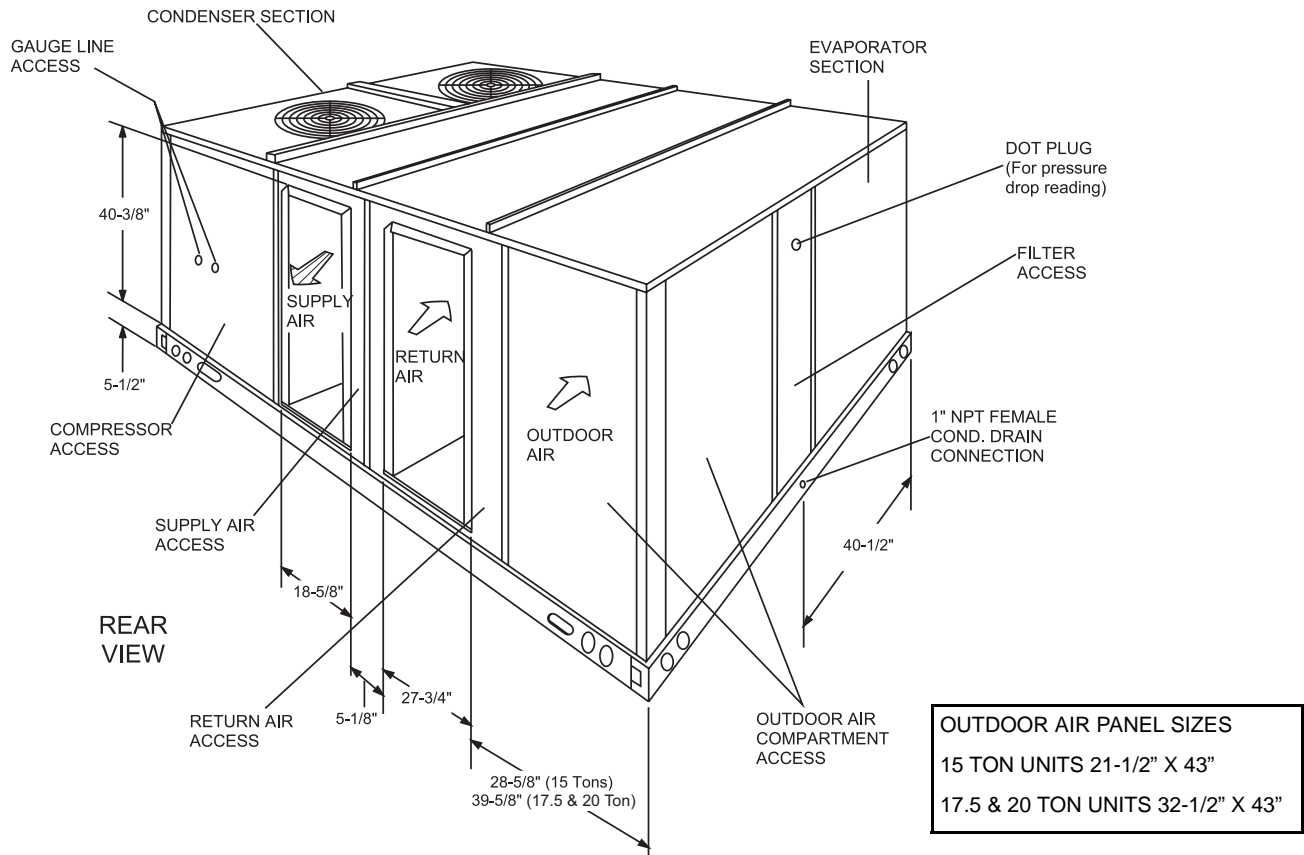


FIGURE 5 - UNIT DIMENSIONS DH 180, 210 & 240 (REAR VIEW)

NOTE: Units are shipped with the bottom duct openings covered. An accessory flange kit is available for connecting side ducts.

For *bottom* duct applications:

1. Remove the side panels from the supply and return air compartments to gain access to the bottom supply and return air duct covers.
2. Remove and discard the bottom duct covers. Duct openings are closed with sheet metal covers except when the unit includes a power exhaust option. The covering consists of a heavy black paper composition.
3. Replace the side supply and return air compartment panels.

For *side* duct application:

1. Replace the side panels on the supply and return air compartments with the accessory flange kit panels.
2. Connect ductwork to the duct flanges on the rear of the unit.

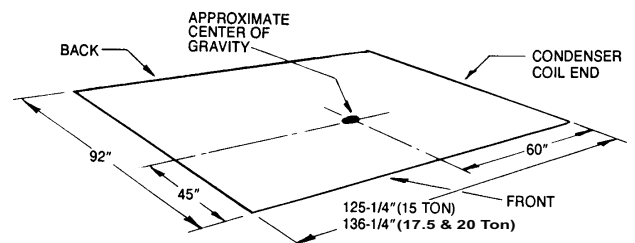


FIGURE 6 - UNIT CENTER OF GRAVITY

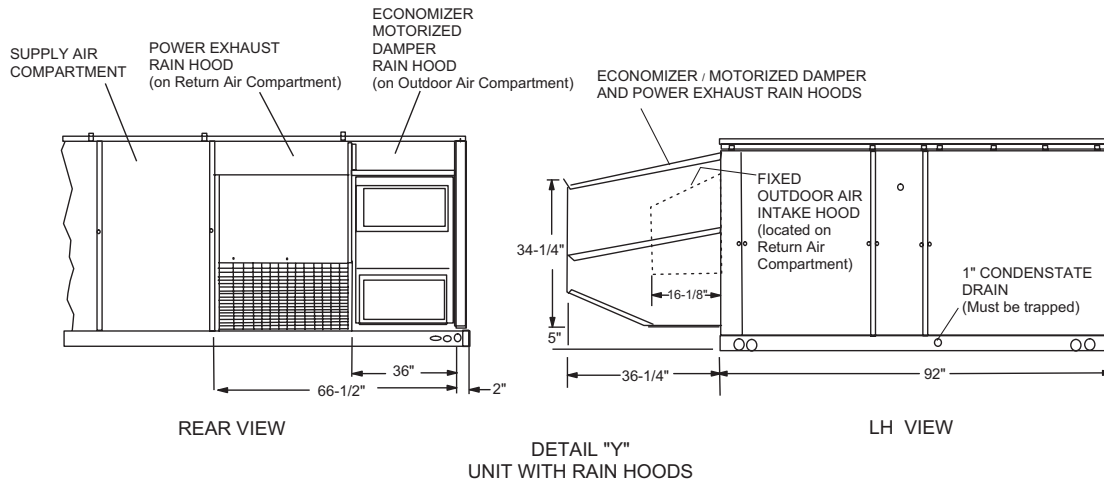


FIGURE 7 - UNIT DIMENSIONS DH 180, 210 & 240 (RAINHOOD)

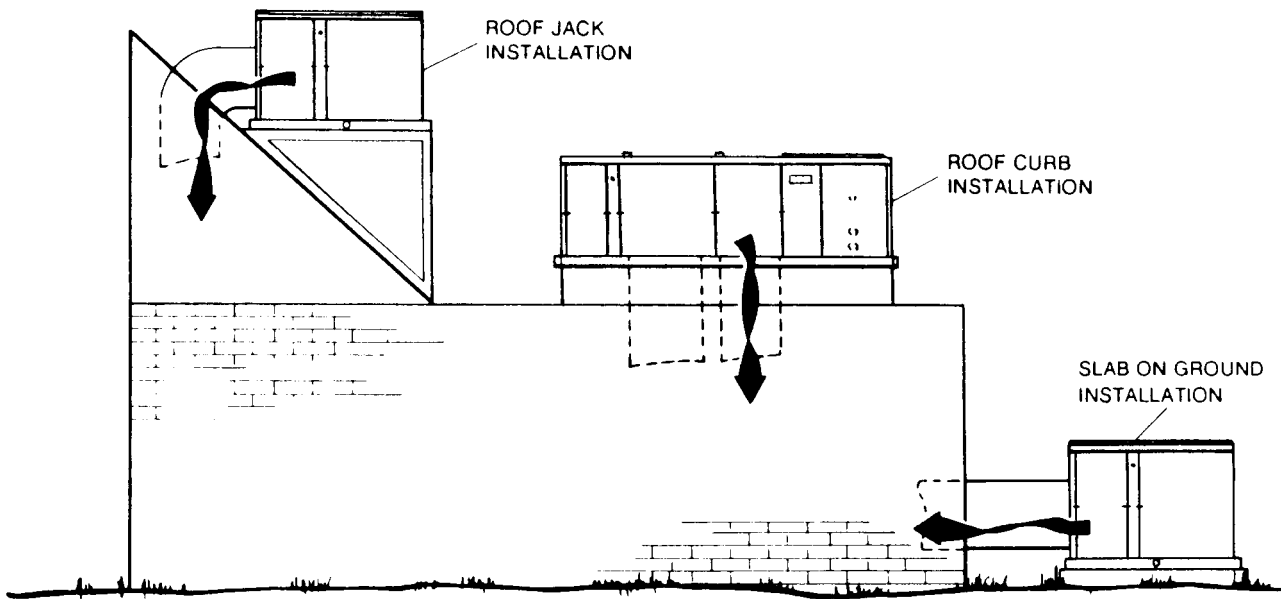


FIGURE 8 - TYPICAL UNIT APPLICATIONS

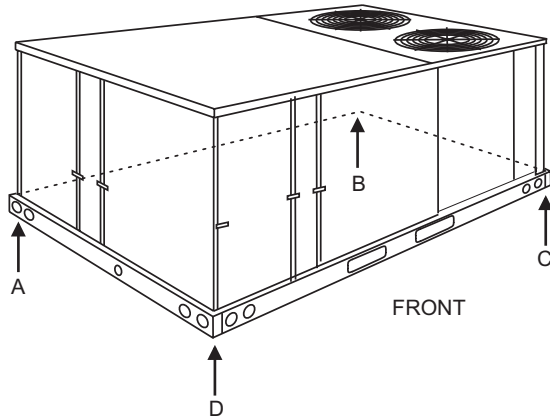


FIGURE 9 - UNIT 4 POINT LOAD

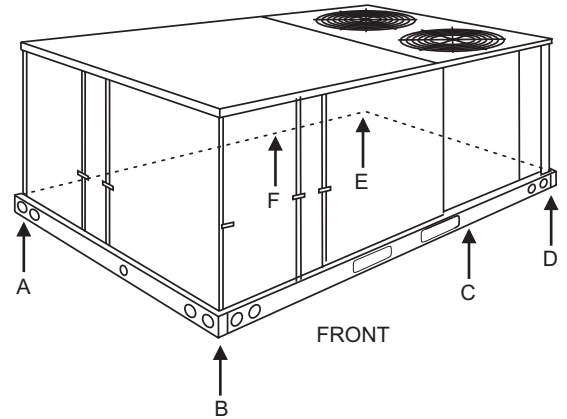


FIGURE 10 - UNIT 6 POINT LOAD

TABLE 22: DH 180, 210 & 240 4 POINT LOAD WEIGHT DISTRIBUTION

UNIT MODEL	OPERATING WEIGHT (lb)	A	B	C	D
DH180C00	1900	445	484	506	465
DH180N24	2100	492	535	559	514
DH180N32	2140	501	545	570	524
DH210C00	1950	457	497	519	477
DH210N24	2150	504	548	572	526
DH210N32	2190	513	558	583	536
DH240C00	2100	492	535	559	514
DH240N24	2300	539	586	612	563
DH240N32	2340	548	596	623	573

TABLE 23: DH 180, 210 & 240 6 POINT LOAD WEIGHT DISTRIBUTION

UNIT MODEL	OPERATING WEIGHT (lb)	A	B	C	D	E	F
DH180C00	1900	293	306	323	342	327	309
DH180N24	2100	324	338	357	378	362	342
DH180N32	2140	330	344	364	385	369	348
DH210C00	1950	300	314	332	351	336	317
DH210N24	2150	331	346	366	387	370	350
DH210N32	2190	337	352	372	394	377	357
DH240C00	2100	324	338	357	378	362	342
DH240N24	2300	354	370	391	414	396	374
DH240N32	2340	360	377	398	421	403	381

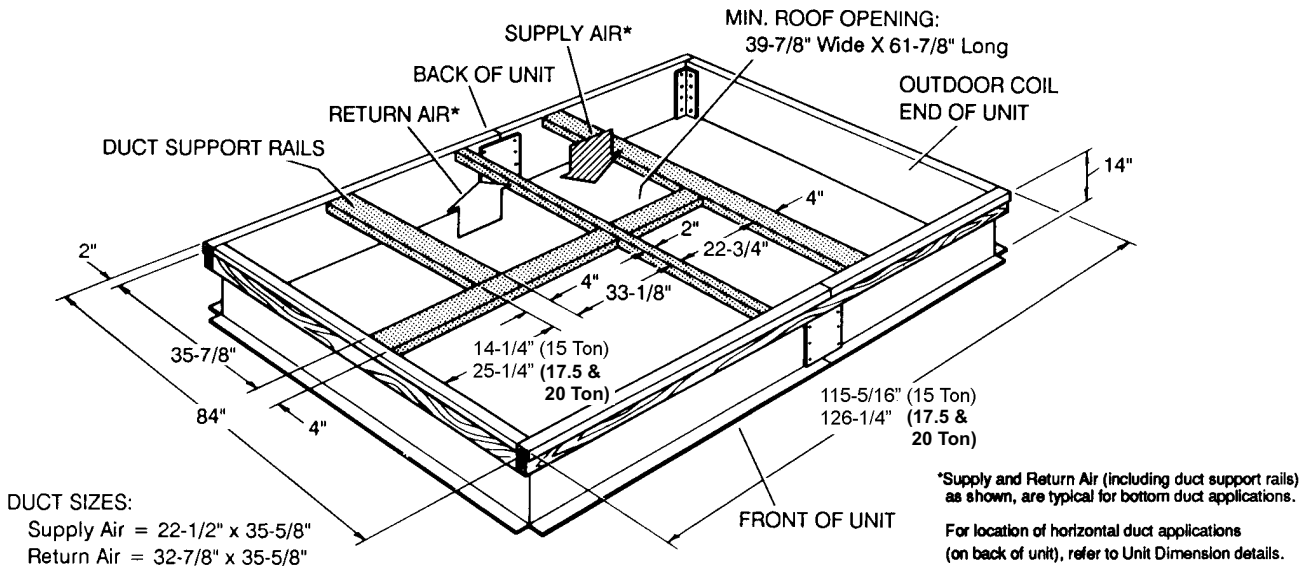


FIGURE 11 - UNIT ROOF CURB DIMENSIONS

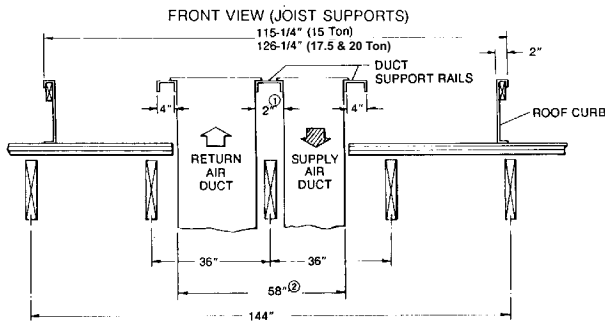


FIGURE 12 - ROOF CURB DUCT OPENINGS DIMENSIONS

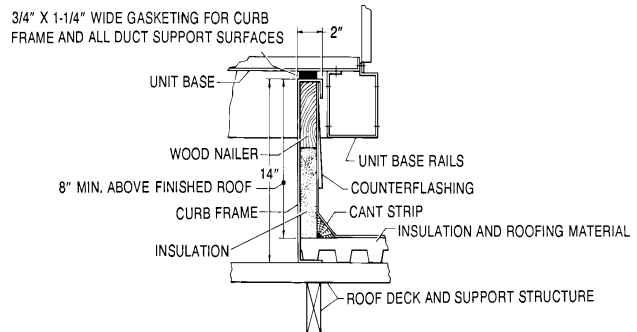


FIGURE 13 - CUT AWAY OF ROOF CURB

1. The 2" space between the ducts allows for "jumping" an existing roof joist.
2. The 58-1/2" overall dimension of the ducts allows ductwork penetration between roof joists that are spaced on 72" centers.

NOTE: Ducts can be installed into the curb from the roof. All electrical and gas line connections can be made inside the curb.

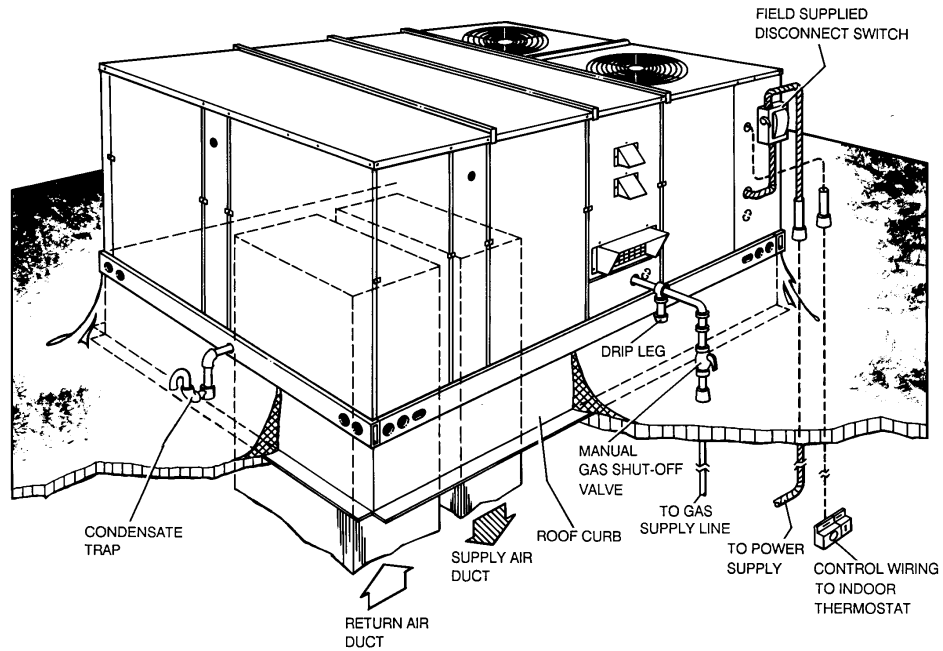
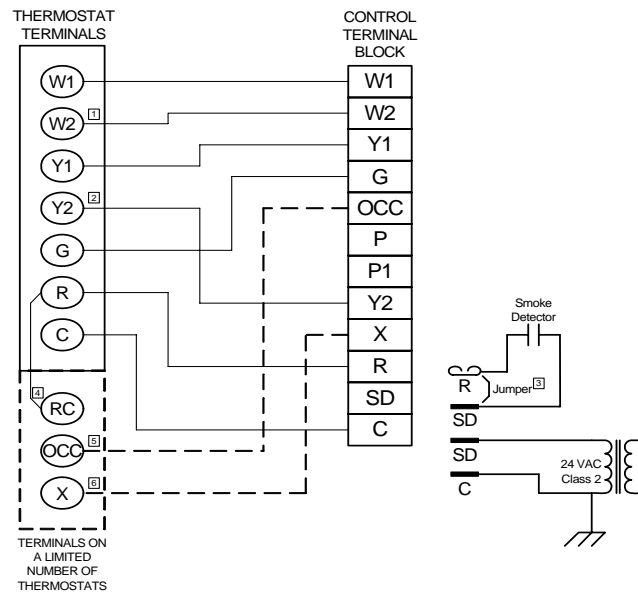


FIGURE 14 - TYPICAL ROOFTOP INSTALLATION



- TERMINALS ON A LIMITED NUMBER OF THERMOSTATS
- ❑ Second stage heating not required on single stage heating units.
 - ❑ Second stage cooling not required on single stage cooling units.
 - ❑ Jumper is required if there is no Smoke Detector circuit.
 - ❑ Jumper is required for any combination of R, RC, or RH.
 - ❑ OCC is an output from the thermostat to indicate the Occupied condition.
 - ❑ X is an input to the thermostat to display Error Status conditions.

FIGURE 15 - Simplicity® CONTROL WIRING DIAGRAM

GUIDE SPECIFICATIONS

GENERAL

Units shall be manufactured by York International Unitary Products Group in an ISO 9001 certified facility.

York's Sunline Ultra™ units are convertible single package units. All models have dual independent refrigerant circuits for efficient part load operation and maximum comfort control. Although the units are primarily designed for curb mounting on a roof, they can also be slab-mounted at ground level or set on steel beams above a finished roof. Cooling only, cooling with gas heat and cooling with electric heat models are available with a wide variety of factory-mounted options and field-installed accessories to make them suitable for almost every application. All units are self-contained and assembled on full perimeter base rails with holes in the four corners for overhead rigging. Every unit is completely piped, wired, charged and tested at the factory to simplify the field installation and to provide years of dependable operation. All models (including those with an economizer) are suitable for either bottom or horizontal duct connections. Models with power exhaust are suitable for bottom duct connections only. For bottom duct, remove the sheet metal panels from the supply and return air openings through the base of the unit. For horizontal duct, replace the supply and return air panels on the rear of the unit with a side duct flange accessory. All supply air blowers are equipped with a belt drive that can be adjusted to meet the exact requirements of the job.

Each unit shall have 2 condenser fan motors. A high speed drive accessory is available for applications with a higher CFM and/or static pressure requirement. All compressors include crankcase heat and internal pressure relief. Every refrigerant circuit includes an expansion valve, a liquid line filter-drier, a discharge line high pressure switch and a suction line with a freeze-stat and low pressure/loss of charge switch. The unit control circuit includes a 75 VA transformer, a 24-volt circuit breaker and a relay board with two compressor lockout circuits, a terminal strip for thermostat wiring, plus an additional set of pin connectors to simplify the interface of additional field controls. All models are CSA approved. All models include a 1-year limited warranty on the complete unit. Compressors and electric heater elements carry an additional 4-year warranty. Aluminized steel tubular heat exchangers carry an additional 9-year warranty.

DESCRIPTION

Units shall be factory-assembled, single packaged, DH***N Electric Cooling/Gas Heat, DH***C/E Electric Cooling/Optional Electric Heat, designed for outdoor mounted installation. The 15 ton units shall have minimum EER ratings of 10.8, the 17.5 ton units shall have minimum EER ratings of 10.2 and the 20 ton units shall have minimum EER ratings of 9.7.

They shall have built-in field convertible duct connections for down discharge supply/return or horizontal discharge supply/return, and be available with factory installed options or field installed accessories. The units shall be factory wired, piped,

charged with R-22 refrigerant and factory tested prior to shipment. All unit wiring shall be both numbered and color coded. All units shall be manufactured in a facility certified to ISO 9001 standards and the cooling performance shall be rated in accordance with DOE and ARI test procedures. Units shall be CGA listed, classified to ANSI Z21.47 standards, UL 1995/ CAN/CSA No. 236-M90 conditions.

UNIT CABINET

Unit cabinet shall be constructed of G90 galvanized steel, with exterior surfaces coated with a non-chalking, powdered paint finish, certified at 1000 hour salt spray test per ASTM-B117 standards. Indoor blower section shall be insulated with a minimum 1/2" thick insulation, coated on the airside. Aluminum foil faced insulation shall be used in the furnace compartment and be fastened with ridged fasteners to prevent insulation from entering the air stream. Cabinet panels shall be "large" size, easily removable for servicing and maintenance. Full perimeter base rails shall be provided to assure reliable transit of equipment, overhead rigging and proper sealing on roof curb applications. Disposable 2" filters shall be furnished and be accessible through a removable access door, sealed airtight. Units filter track shall be designed to accommodate either 2" or 4" filters. Fan performance measuring ports shall be provided on the outside of the cabinet to allow accurate air measurements of evaporator fan performance without removing panels or creating air by-pass of the coils. Condensate pan shall be internally sloped and conform to ASHRAE 62-89 self-draining standards. Condensate connection shall be a minimum of 1" I.D. female and be a ridged mount connection. Unit shall incorporate a fixed outdoor air damper with an outdoor air intake opening covered with a bird screen and a rain hood painted to match the exterior of the unit.

INDOOR (EVAPORATOR) FAN ASSEMBLY

Fan shall be a belt drive assembly and include an adjustable-pitch motor pulley. Job site selected (B.H.P.) brake horsepower shall not exceed the motors nameplate horsepower rating, plus the service factor. Units shall be designed not to operate above service factor. Fan wheel shall be double-inlet type with forward-curved blades, dynamically balanced to operate smoothly throughout the entire range of operation. Airflow design shall be constant air volume.

OUTDOOR (CONDENSER) FAN ASSEMBLY

The outdoor fans shall be of the direct-driven propeller type, discharge air vertically, have aluminum blades riveted to corrosion resistant steel spider brackets and shall be dynamically balanced for smooth operation. The 2 outdoor fan motors shall be totally enclosed with permanently lubricated bearings, internally protected against overload conditions and staged independently.

REFRIGERANT COMPONENTS

Compressors:

- a. Shall be Scroll compressors internally protected with internal high-pressure relief and over temperature protection.

- b. Shall have internal spring isolation and sound muffling to minimize vibration and noise, and be externally isolated on a dedicated, independent mounting.

Coils:

- a. Evaporator and condenser coils shall have aluminum plate fins mechanically bonded to seamless internally enhanced copper tubes with all joints brazed. Special Phenolic coating shall be available as a factory option.
- b. Evaporator and Condenser coils shall be of the direct expansion, draw-thru, design.

Refrigerant Circuit and Refrigerant Safety Components shall include:

- a. Balance-port thermostatic expansion valve with independent circuit feed system.
- b. Filter drier/strainer to eliminate any moisture or foreign matter.
- c. Accessible service gage connections on both suction and discharge lines to charge, evacuate, and measure refrigerant pressure during any necessary servicing or troubleshooting, without losing charge.
- d. The refrigeration system shall provide at least 15° F of sub-cooling at design conditions.
- e. All models shall have two independent circuits.

UNIT CONTROLS

- a. Unit shall be complete with self-contained low-voltage control circuit protected by a resettable circuit breaker on the 24-volt transformer side.
- b. Unit shall incorporate a lockout circuit which provides reset capability at the space thermostat or base unit, should any of the following standard safety devices trip and shut off compressor.
- c. Loss-of-charge/Low-pressure switch.
 - 1. High-pressure switch.
 - 2. Freeze-protection thermostat, evaporator coil. If any of the above safety devices trip, a LED (light-emitting diode) indicator shall flash a diagnostic code that indicates which safety switch has tripped.
- d. Unit shall incorporate "AUTO RESET" compressor over temperature, over current protection.
- e. Unit shall operate with conventional thermostat designs and have a low voltage terminal strip for easy hook-up.
- f. Unit control board shall have on-board diagnostics and fault code display.
- g. Standard controls shall include anti-short cycle and low voltage protection, and permit cooling operation down to 0 °F.
- h. Control board shall monitor each refrigerant safety switch independently.

- i. Control board shall retain last 5 fault codes in non volatile memory, which will not be lost in the event of a power loss.

GAS HEATING SECTION (DH***N MODELS)

Shall be designed with induced draft combustion with post purge logic and energy saving direct spark ignition, redundant main gas valve. Ventor wheel shall be constructed of stainless steel for corrosion resistance. The heat exchanger shall be of the tubular type, constructed of T1-40 aluminized steel for corrosion resistance and allowing minimum mixed air entering temperature of 25° F. Burners shall be of the in-shot type, constructed of aluminum coated steel and contain air mixture adjustments. All gas piping shall enter the unit cabinet at a single location through either the side or curb, without any field modifications. An integrated control board shall provide timed control of evaporator fan functioning and burner ignition. Heating section shall be provided with the following minimum protection:

- a. Primary and auxiliary high-temperature limit switches.
- b. Induced draft motor speed sensor.
- c. Flame roll out switch (automatic reset).
- d. Flame proving controls. Unit shall have two independent stages of capacity.

ELECTRIC HEATING (DH***C/E MODELS)

Nickel chromium electric heating elements shall be provided as required by the application with 1 or 2 stage control, as required, from 13.5 KW to 72 KW capacities. The heating section shall have a primary limit control(s) and automatic reset to prevent the heating element system from operating at an excessive temperature. Units with Electric Heating shall be wired for a single point power supply with branch circuit fusing (where required).

UNIT OPERATING CHARACTERISTICS

Unit shall be capable of starting and running at 125° F outdoor temperature, exceeding maximum load criteria of ARI Standard 210/240. The compressor, with standard controls, shall be capable of operation down to 0° F outdoor temperature. Unit shall be provided with fan time delay to prevent cold air delivery before heat exchanger warms up (Gas heat only).

ELECTRICAL REQUIREMENTS

All unit power wiring shall enter unit cabinet at a single factory provided location and be capable of side or bottom entry, to minimize roof penetrations and avoid unit field modifications. Separate side and bottom openings shall be provided for the control wiring.

STANDARD LIMITED WARRANTIES

- Compressor 5 Years
- Heat Exchanger 10 Years
- Electric Heat Element 5 Years
- Other Parts 1 Year

OPTIONAL OUTDOOR AIR (Shall be made available by either/or):

- **ELECTRONIC ENTHALPY AUTOMATIC ECONOMIZER** - Outdoor and return air dampers that are interlocked and positioned by a fully-modulating, spring-return damper actuator. The maximum leakage rate for the outdoor air intake dampers shall not exceed 2% when dampers are fully closed and operating against a pressure differential of 0.5 IWG. A unit-mounted potentiometer shall be provided to adjust the outdoor and return air damper assembly to take in CFM of outdoor air to meet the minimum ventilation requirement of the conditioned space during normal operation. During economizer operation, a mixed-air temperature control shall modulate the outdoor and return air damper assembly to prevent the supply air temperature from dropping below 55°F. Changeover from compressor to economizer operation shall be provided by an integral electronic enthalpy control that feeds input into the basic module. The outdoor intake opening shall be covered with a rain hood that matches the exterior of the unit. Water eliminator/filters shall be provided. Simultaneous economizer/compressor operation is also possible. Dampers shall fully close on power loss.
- **MOTORIZED OUTDOOR AIR DAMPERS** - Outdoor and return air dampers that are interlocked and positioned by a 2-position, spring-return damper actuator. The maximum leakage rate for the outdoor air intake dampers shall not exceed 2% when dampers are fully closed and operating against a pressure differential of 0.5 IWG. A unit-mounted potentiometer shall be provided to adjust the outdoor and return air damper assembly to take in the design CFM of outdoor air to meet the ventilation requirements of the conditioned space during normal operation. Whenever the indoor fan motor is energized, the dampers open up to one of two pre-selected positions - regardless of the outdoor air enthalpy. Dampers return to the fully closed position when the indoor fan motor is de-energized. Dampers shall fully close on power loss.

OTHER PRE-ENGINEERED ACCESSORIES AVAILABLE

- **ROOF CURB** - 14" high, full perimeter curb with wood nailer (shipped knocked-down).
- **100% BAROMETRIC RELIEF DAMPER** - Contains a rain hood, air inlet screen, exhaust damper and mounting hardware. Used to relieve internal air pressure through the unit.
- **PROPANE CONVERSION KIT** - Contains new orifices and gas valve parts to convert from natural to L.P. gas. One per unit required.
- **HIGH ALTITUDE - NATURAL GAS** - Contains orifices required for applications between 2000 and 6000 feet altitude.

- **HIGH ALTITUDE - PROPANE GAS** - Contains orifices required for applications between 2000 and 6000 feet altitude. Must be used with propane conversion kit.
- **BURGLAR BARS** - Designed to work with above roof curbs, depending on unit model. Fits duct openings of curb supply and return air openings.
- **SIDE DUCT FLANGE** - Supply and return air duct flanges for side duct applications. Do not use on units with power exhaust.
- **HIGH SPEED DRIVE** - Includes blower pulley and belt for higher CFM and/or static pressure requirements.
- **WOOD SKID** - Allows unit to be handled with 90" forks.
- **ECONOMIZER/MOTORIZED DAMPER RAIN HOOD** - Contains all hood panels and the hardware for assembling.
- **ANTI-RECYCLE TIMER** - Assures 5-minute off time between compressor cycles.
- **COIL GUARD KIT** - Guard for cooling coil.

OTHER FACTORY INSTALLED OPTIONS

- **POWER EXHAUST OPTION** - To work in conjunction with economizers.
- **STAINLESS STEEL HEAT EXCHANGER**
- **STAINLESS STEEL DRAIN PAN**
- **TECHNICOAT PHENOLIC COATED CONDENSER AND EVAPORATOR COIL**
- **ELECTRONIC SINGLE ENTHALPY ECONOMIZER**
- **DIRTY FILTER SWITCH**
- **PHASE MONITOR**
- **COIL GUARD**
- **POWERED GFI CONVENIENCE OUTLET**
- **NON-POWERED GFI CONVENIENCE OUTLET**
- **BAS CONTROLS** (Simplicity® Intelli-Comfort™, CPC, JOHNSON, HONEYWELL, NOVAR)
- **BAS READY ECONOMIZER** (BELIMO ACTUATOR WITHOUT A CONTROLLER)
- **HINGED FILTER DOOR ACCESS AND TOOLLESS ACCESS PANELS**
- **HIGH SPEED DRIVE**
- **2" THROW AWAY FILTERS**
- **4" PLEATED FILTERS**
- **DISCONNECT SWITCH**
- **SUPPLY AIR SMOKE DETECTOR**
- **RETURN AIR SMOKE DETECTOR**

Subject to change without notice. Printed in U.S.A.
Copyright © 2006 by Unitary Products Group. All rights reserved.

036-21477-006-A-0206
Supersedes: 036-21477-005-A-0605

**Unitary
Products
Group**

**5005
York
Drive**

**Norman
OK
73069**