

Product Data

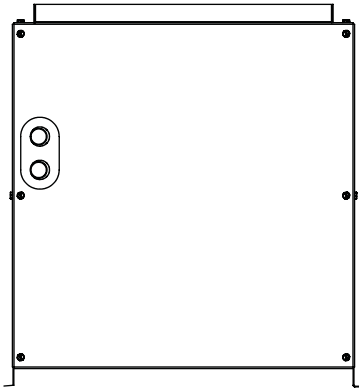


Fig. 1 – Model HC2 / HC3

A07331

The SmartSource™ hydronic coil incorporates proven standards for reliable system operation and performance. The HC2 and HC3 are cased, horizontal, two and three row coils that are housed in a durable, 20 gauge, pre-painted taupe metallic cabinet to match the Carrier fan coils. The fully insulated cabinet provides for quiet, efficient operation. These multipoise coils offer the most in installation flexibility.

FEATURES

PERFORMANCE: Designed with performance in mind, these new hot water coils offer low pressure drops to enhance system performance and airflow characteristics.

CABINET: Completely insulated and solid constructed, 20 gauge steel cabinet.

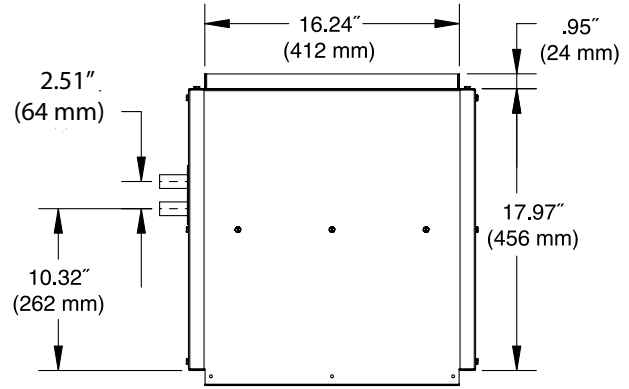
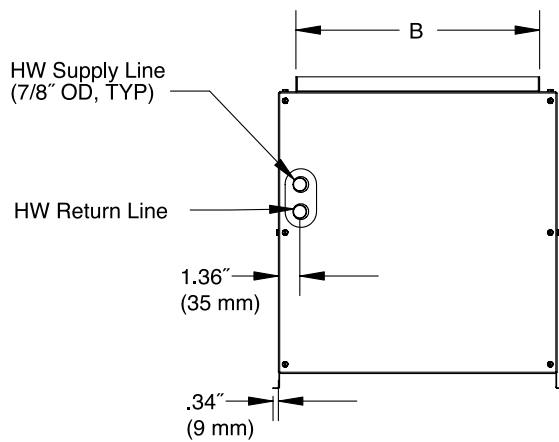
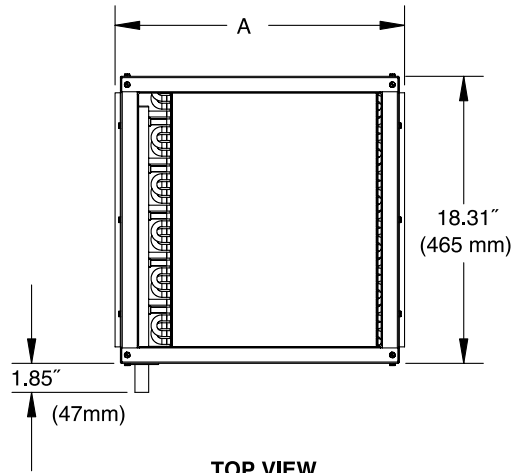
CONNECTIONS: Piping connections accept 7/8" O.D. tubing.

WARRANTY: All Carrier coils feature a limited five year warranty on parts.

MODEL NUMBER NOMENCLATURE

1-2	3	4	5-6	7-9	10-12	13	14	15-16
HC	2	A	XX	017	050	A	A	AA
Description	# of Rows	Major Series	Not Used	Cabinet Width	Heating Capacity	Variations	Minor Series	Package
Hydronic Coil	2 – 2 Rows 3 – 3 Rows	A – Series		017 – 17" Cabinet 021 – 21" Cabinet 024 – 24" Cabinet	050 – 50,000 BTU 065 – 65,000 BTU 070 – 70,000 BTU 080 – 80,000 BTU 090 – 90,000 BTU 100 – 100,000 BTU	A – Basic	A – Series	AA – One Pack

DIMENSIONS



FRONT VIEW

RIGHT VIEW

A07328

Fig. 2 – Models HC2 / HC3

DIMENSIONS

UNIT SIZE	A	B
HC2AXX017050	18.45 in.	16.24 in.
HC3AXX017065	469 mm	413 mm
HC2AXX021070	21.95 in.	19.04 in.
HC3AXX021090	558 mm	484 mm
HC2AXX024080	25.52 in.	22.60 in.
HC3AXX024100	648 mm	574 mm

RATINGS AND PERFORMANCE

Table 1 – Heating Capacity - Hot Water Coils - HC2AXX017050

EWT (F)	GPM	PD (FT)		CFM											
				625				875				1125			
				AIR ENTERING TEMPERATURE EDB (F)											
60	65	70	75	60	65	70	75	60	65	70	75				
140	3.0	2.1	TC	24.10	22.62	21.13	19.64	28.45	26.71	24.97	23.21	31.72	29.79	27.85	25.90
			LDB	95.3	98.2	101.0	103.9	89.8	93.0	96.2	99.5	85.8	89.3	92.8	96.2
			LWT	123.7	124.7	125.7	126.7	120.7	121.9	123.1	124.3	118.5	119.8	121.1	122.5
	4.0	3.1	TC	25.48	23.90	22.32	20.74	30.46	28.59	26.71	24.83	34.30	32.20	30.09	27.98
			LDB	97.3	100.0	102.8	105.5	91.9	95.0	98.1	101.2	87.9	91.3	94.6	97.9
			LWT	127.1	127.9	128.7	129.5	124.5	125.5	126.4	127.4	122.6	123.7	124.7	125.8
	5.0	4.0	TC	26.38	24.75	23.11	21.47	31.81	29.85	27.89	25.92	36.06	33.84	31.62	29.40
			LDB	98.6	101.3	103.9	106.6	93.3	96.3	99.3	102.3	89.4	92.6	95.8	99.1
			LWT	129.3	129.9	130.6	131.3	127.1	127.9	128.7	129.5	125.4	126.3	127.2	128.1
	6.0	4.9	TC	27.03	25.35	23.67	21.99	32.78	30.76	28.74	26.71	37.34	35.05	32.75	30.44
			LDB	99.6	102.2	104.8	107.4	94.3	97.3	100.2	103.1	90.4	93.6	96.8	99.9
			LWT	130.9	131.4	132.0	132.6	128.9	129.6	130.3	131.0	127.4	128.1	128.9	129.7
160	3.0	2.1	TC	30.45	28.95	27.45	25.95	36.01	34.25	32.49	30.72	40.18	38.23	36.27	34.31
			LDB	104.6	107.5	110.3	113.2	97.7	100.9	104.2	107.4	92.7	96.2	99.6	103.1
			LWT	139.3	140.3	141.3	142.3	135.5	136.7	137.9	139.1	132.6	134.0	135.3	136.6
	4.0	3.1	TC	32.14	30.55	28.96	27.37	38.49	36.60	34.71	32.82	43.38	41.26	39.14	37.01
			LDB	107.0	109.8	112.5	115.3	100.3	103.4	106.5	109.6	95.3	98.7	102.0	105.3
			LWT	143.6	144.4	145.2	146.0	140.4	141.3	142.3	143.3	137.9	138.9	140.0	141.1
	5.0	4.0	TC	33.25	31.60	29.96	28.31	40.15	38.18	36.20	34.22	45.56	43.33	41.09	38.85
			LDB	108.7	111.3	114.0	116.7	102.0	105.1	108.1	111.0	97.1	100.3	103.6	106.8
			LWT	146.4	147.1	147.8	148.4	143.6	144.4	145.2	146.0	141.4	142.3	143.2	144.1
	6.0	4.9	TC	34.04	32.35	30.66	28.97	41.35	39.31	37.28	35.24	47.14	44.83	42.52	40.19
			LDB	109.8	112.4	115.0	117.6	103.3	106.3	109.2	112.1	98.4	101.6	104.7	107.9
			LWT	148.4	149.0	149.6	150.1	145.9	146.6	147.3	148.0	144.0	144.7	145.5	146.3
180	3.0	2.1	TC	36.87	35.36	33.85	32.33	43.66	41.89	40.11	38.33	48.76	46.80	44.82	42.84
			LDB	114.0	116.9	119.7	122.6	105.7	109.0	112.2	115.4	99.7	103.2	106.6	110.1
			LWT	154.8	155.8	156.8	157.9	150.1	151.3	152.5	153.8	146.6	148.0	149.3	150.7
	4.0	3.1	TC	38.87	37.27	35.67	34.07	46.61	44.71	42.81	40.90	52.58	50.45	48.31	46.17
			LDB	116.9	119.7	122.4	125.2	108.8	111.9	115.0	118.1	102.8	106.2	109.5	112.8
			LWT	160.1	160.9	161.7	162.5	156.1	157.1	158.0	159.0	153.0	154.1	155.2	156.3
	5.0	4.0	TC	40.18	38.53	36.87	35.21	48.58	46.60	44.61	42.62	55.17	52.92	50.68	48.42
			LDB	118.8	121.5	124.2	126.8	110.9	113.9	116.9	119.9	104.9	108.2	111.4	114.7
			LWT	163.5	164.2	164.9	165.6	160.1	160.9	161.7	162.5	157.4	158.3	159.2	160.1
	6.0	4.9	TC	41.11	39.41	37.72	36.02	50.00	47.95	45.91	43.85	57.04	54.72	52.39	50.06
			LDB	120.2	122.8	125.4	128.0	112.4	115.3	118.3	121.2	106.4	109.6	112.8	116.0
			LWT	165.9	166.5	167.1	167.7	162.9	163.6	164.3	165.0	160.5	161.3	162.1	162.9

HC2 / HC3

LEGEND

- EDB - Entering Dry-Bulb (F)
- EWT - Entering Water Temperature (F)
- LDB - Leaving Dry Bulb (F)
- LWT - Leaving Water Temperature (F)
- TC - Total Capacity (MBH)

Table 2 – Heating Capacity - Hot Water Coils - HC2AXX021070

EWT (F)	GPM	PD (FT)		CFM											
				675				1138				1600			
				AIR ENTERING TEMPERATURE EDB (F)											
				60	65	70	75	60	65	70	75	60	65	70	75
140	5.0	3.9	TC	29.84	27.99	26.14	24.28	40.04	37.57	35.11	32.63	47.02	44.14	41.25	38.36
			LDB	100.5	103.1	105.6	108.2	92.2	95.3	98.3	101.4	86.9	90.3	93.7	97.1
			LWT	127.9	128.6	129.4	130.1	123.7	124.7	125.7	126.7	120.9	122.1	123.2	124.4
	6.0	5.0	TC	30.56	28.66	26.76	24.86	41.42	38.87	36.32	33.75	49.01	46.00	42.99	39.97
			LDB	101.5	104.0	106.5	108.9	93.3	96.3	99.3	102.3	88.0	91.4	94.7	98.0
			LWT	129.7	130.3	130.9	131.6	126.0	126.8	127.7	128.6	123.4	124.4	125.4	126.5
	7.0	6.2	TC	31.10	29.17	27.23	25.30	42.48	39.86	37.24	34.61	50.54	47.44	44.33	41.21
			LDB	102.2	104.7	107.1	109.5	94.2	97.1	100.1	103.0	88.9	92.2	95.5	98.7
			LWT	131.0	131.5	132.1	132.7	127.7	128.4	129.2	130.0	125.3	126.2	127.1	128.0
	8.0	7.5	TC	31.52	29.56	27.60	25.64	43.31	40.64	37.96	35.28	51.76	48.58	45.39	42.19
			LDB	102.8	105.2	107.6	110.0	94.8	97.7	100.6	103.5	89.6	92.8	96.1	99.3
			LWT	132.0	132.5	133.0	133.5	129.0	129.7	130.4	131.0	126.9	127.7	128.5	129.3
160	5.0	3.9	TC	37.58	35.72	33.85	31.99	50.52	48.04	45.56	43.07	59.40	56.50	53.60	50.68
			LDB	111.0	113.6	116.1	118.7	100.6	103.7	106.8	109.8	94.0	97.4	100.8	104.2
			LWT	144.7	145.4	146.2	146.9	139.4	140.4	141.4	142.4	135.7	136.9	138.1	139.3
	6.0	5.0	TC	38.46	36.56	34.64	32.73	52.23	49.67	47.10	44.52	61.87	58.84	55.81	52.77
			LDB	112.2	114.7	117.2	119.7	102.0	105.0	108.0	111.0	95.4	98.7	102.1	105.4
			LWT	146.9	147.6	148.2	148.9	142.2	143.1	144.0	144.9	138.9	140.0	141.0	142.0
	7.0	6.2	TC	39.12	37.18	35.23	33.29	53.53	50.90	48.26	45.62	63.76	60.64	57.51	54.37
			LDB	113.1	115.6	118.0	120.5	103.1	106.0	109.0	111.9	96.5	99.8	103.0	106.3
			LWT	148.6	149.2	149.7	150.3	144.4	145.2	145.9	146.7	141.4	142.3	143.2	144.1
	8.0	7.5	TC	39.63	37.66	35.69	33.72	54.55	51.87	49.18	46.48	65.26	62.06	58.85	55.64
			LDB	113.8	116.2	118.6	121.0	103.9	106.8	109.7	112.6	97.3	100.6	103.8	107.0
			LWT	149.9	150.4	150.9	151.4	146.1	146.8	147.5	148.1	143.3	144.2	145.0	145.8
180	5.0	3.9	TC	45.38	43.51	41.64	39.76	61.11	58.62	56.13	53.63	71.92	69.01	66.09	63.16
			LDB	121.6	124.2	126.7	129.3	109.1	112.2	115.3	118.4	101.1	104.6	108.0	111.3
			LWT	161.4	162.1	162.9	163.7	154.9	155.9	157.0	158.0	150.5	151.7	152.9	154.1
	6.0	5.0	TC	46.42	44.51	42.59	40.67	63.15	60.57	57.99	55.40	74.86	71.82	68.77	65.72
			LDB	123.0	125.5	128.0	130.5	110.8	113.8	116.8	119.8	102.8	106.2	109.5	112.8
			LWT	164.1	164.8	165.4	166.1	158.4	159.3	160.2	161.1	154.4	155.4	156.5	157.5
	7.0	6.2	TC	47.20	45.25	43.30	41.34	64.68	62.04	59.39	56.74	77.11	73.97	70.83	67.68
			LDB	124.1	126.5	129.0	131.4	112.0	115.0	117.9	120.9	104.1	107.4	110.7	113.9
			LWT	166.2	166.7	167.3	167.9	161.0	161.8	162.6	163.4	157.4	158.3	159.2	160.2
	8.0	7.5	TC	47.80	45.83	43.85	41.87	65.89	63.19	60.49	57.79	78.88	75.67	72.45	69.23
			LDB	124.9	127.3	129.8	132.2	113.0	115.9	118.8	121.7	105.1	108.4	111.6	114.8
			LWT	167.7	168.2	168.8	169.3	163.1	163.8	164.5	165.2	159.8	160.6	161.4	162.2

LEGEND

EDB - Entering Dry-Bulb (F)

EWT - Entering Water Temperature (F)

LDB - Leaving Dry Bulb (F)

LWT - Leaving Water Temperature (F)

TC - Total Capacity (MBH)

Table 3 – Heating Capacity - Hot Water Coils - HC2AXX024080

EWT (F)	GPM	PD (FT)		CFM											
				1050				1400				1750			
				AIR ENTERING TEMPERATURE EDB (F)											
60	65	70	75	60	65	70	75	60	65	70	75				
140	5.0	4.0	TC	41.24	38.69	36.14	33.58	47.82	44.89	41.94	38.99	53.05	49.80	46.54	43.28
			LDB	96.0	98.8	101.6	104.5	91.3	94.4	97.5	100.6	87.8	91.1	94.4	97.8
			LWT	123.2	124.3	125.3	126.4	120.6	121.8	123.0	124.2	118.4	119.8	121.1	122.4
	6.0	5.3	TC	42.56	39.92	37.29	34.64	49.67	46.61	43.55	40.48	55.38	51.99	48.58	45.16
			LDB	97.1	99.9	102.6	105.4	92.5	95.5	98.6	101.6	89.0	92.3	95.5	98.8
			LWT	125.6	126.5	127.4	128.3	123.2	124.2	125.3	126.3	121.2	122.4	123.6	124.7
	7.0	6.6	TC	43.55	40.85	38.15	35.45	51.07	47.93	44.77	41.61	57.18	53.66	50.14	46.61
			LDB	98.0	100.7	103.4	106.1	93.4	96.4	99.4	102.4	89.9	93.1	96.3	99.5
			LWT	127.4	128.1	128.9	129.7	125.2	126.1	127.0	127.9	123.4	124.4	125.5	126.5
	8.0	7.9	TC	44.33	41.58	38.83	36.07	52.18	48.96	45.74	42.51	58.60	54.99	51.38	47.76
			LDB	98.7	101.3	104.0	106.6	94.1	97.1	100.0	103.0	90.7	93.8	97.0	100.1
			LWT	128.7	129.4	130.1	130.8	126.8	127.6	128.4	129.2	125.1	126.0	127.0	127.9
160	5.0	4.0	TC	51.97	49.40	46.83	44.26	60.33	57.37	54.41	51.44	66.97	63.70	60.42	57.13
			LDB	105.3	108.2	111.0	113.8	99.5	102.6	105.7	108.8	95.0	98.4	101.7	105.1
			LWT	138.8	139.8	140.9	141.9	135.4	136.6	137.8	139.0	132.6	134.0	135.3	136.7
	6.0	5.3	TC	53.59	50.94	48.29	45.64	62.61	59.54	56.46	53.37	69.86	66.44	63.02	59.58
			LDB	106.7	109.5	112.3	115.0	100.9	104.0	107.1	110.1	96.6	99.8	103.1	106.4
			LWT	141.8	142.7	143.6	144.5	138.7	139.7	140.8	141.8	136.2	137.4	138.6	139.7
	7.0	6.6	TC	54.82	52.10	49.39	46.67	64.35	61.18	58.02	54.84	72.08	68.55	65.01	61.46
			LDB	107.8	110.5	113.2	115.9	102.1	105.1	108.1	111.1	97.7	100.9	104.1	107.3
			LWT	144.0	144.8	145.6	146.4	141.2	142.2	143.1	144.0	139.0	140.0	141.0	142.1
	8.0	7.9	TC	55.77	53.01	50.24	47.48	65.71	62.48	59.24	56.00	73.84	70.22	66.59	62.95
			LDB	108.6	111.3	114.0	116.6	103.0	105.9	108.9	111.8	98.6	101.8	105.0	108.1
			LWT	145.8	146.5	147.2	147.9	143.2	144.1	144.9	145.7	141.2	142.1	143.0	143.9
180	5.0	4.0	TC	62.78	60.21	57.63	55.04	72.95	69.98	67.01	64.03	81.02	77.74	74.44	71.14
			LDB	114.7	117.6	120.4	123.3	107.7	110.9	114.0	117.1	102.4	105.7	109.1	112.4
			LWT	154.2	155.3	156.3	157.4	150.0	151.3	152.5	153.7	146.7	148.1	149.4	150.8
	6.0	5.3	TC	64.72	62.05	59.39	56.72	75.67	72.59	69.49	66.40	84.48	81.05	77.61	74.16
			LDB	116.4	119.2	122.0	124.7	109.5	112.6	115.6	118.7	104.2	107.5	110.8	114.0
			LWT	157.9	158.8	159.7	160.6	154.1	155.2	156.2	157.3	151.1	152.3	153.4	154.6
	7.0	6.6	TC	66.17	63.44	60.72	57.99	77.73	74.56	71.38	68.20	87.12	83.58	80.02	76.46
			LDB	117.7	120.4	123.1	125.9	110.8	113.9	116.9	119.9	105.6	108.8	112.0	115.2
			LWT	160.6	161.4	162.2	163.0	157.2	158.1	159.1	160.0	154.5	155.5	156.5	157.6
	8.0	7.9	TC	67.29	64.52	61.75	58.97	79.35	76.11	72.86	69.61	89.21	85.58	81.93	78.29
			LDB	118.7	121.4	124.0	126.7	111.9	114.9	117.8	120.8	106.7	109.9	113.0	116.2
			LWT	162.7	163.5	164.2	164.9	159.6	160.5	161.3	162.1	157.1	158.0	159.0	159.9

HC2 / HC3

LEGEND

- EDB - Entering Dry-Bulb (F)
- EWT - Entering Water Temperature (F)
- LDB - Leaving Dry Bulb (F)
- LWT - Leaving Water Temperature (F)
- TC - Total Capacity (MBH)

Table 4 – Heating Capacity - Hot Water Coils - HC3AXX017065

EWT (F)	GPM	PD (FT)		CFM											
				625				875				1125			
				AIR ENTERING TEMPERATURE EDB (F)											
60	65	70	75	60	65	70	75	60	65	70	75				
140	3.0	2.2	TC	30.77	28.86	26.95	25.03	36.75	34.49	32.23	29.96	41.06	38.55	36.03	33.50
			LDB	105.0	107.3	109.6	111.8	98.4	101.1	103.8	106.4	93.5	96.5	99.5	102.5
			LWT	119.2	120.5	121.8	123.0	115.1	116.6	118.2	119.7	112.2	113.9	115.6	117.3
	4.0	3.2	TC	32.53	30.51	28.48	26.46	39.49	37.05	34.60	32.15	44.64	41.89	39.14	36.38
			LDB	107.6	109.7	111.8	113.9	101.2	103.7	106.2	108.7	96.5	99.3	102.1	104.9
			LWT	123.5	124.5	125.5	126.6	119.9	121.2	122.4	123.7	117.3	118.7	120.1	121.5
	5.0	4.0	TC	33.68	31.58	29.48	27.38	41.30	38.74	36.18	33.62	47.07	44.17	41.26	38.34
			LDB	109.3	111.3	113.3	115.3	103.1	105.5	107.9	110.3	98.4	101.1	103.8	106.5
			LWT	126.3	127.2	128.0	128.9	123.2	124.3	125.3	126.3	120.9	122.1	123.2	124.4
	6.0	5.1	TC	34.48	32.33	30.18	28.02	42.60	39.95	37.31	34.66	48.83	45.81	42.79	39.76
			LDB	110.5	112.4	114.3	116.2	104.4	106.8	109.1	111.4	99.9	102.5	105.1	107.7
			LWT	128.3	129.1	129.8	130.5	125.6	126.5	127.4	128.3	123.5	124.5	125.5	126.5
160	3.0	2.2	TC	38.80	36.88	34.95	33.03	46.42	44.14	41.86	39.57	51.90	49.37	46.83	44.28
			LDB	116.8	119.1	121.4	123.6	108.4	111.1	113.8	116.5	102.4	105.4	108.4	111.4
			LWT	133.6	134.9	136.2	137.5	128.4	129.9	131.5	133.1	124.7	126.4	128.1	129.8
	4.0	3.2	TC	40.99	38.95	36.91	34.86	49.82	47.36	44.90	42.43	56.37	53.60	50.83	48.05
			LDB	120.0	122.1	124.2	126.3	112.0	114.5	117.0	119.5	106.0	108.9	111.7	114.5
			LWT	139.1	140.1	141.2	142.2	134.6	135.8	137.1	138.3	131.2	132.6	134.0	135.5
	5.0	4.0	TC	42.40	40.28	38.17	36.05	52.07	49.49	46.91	44.33	59.39	56.47	53.54	50.60
			LDB	122.1	124.1	126.1	128.1	114.3	116.7	119.1	121.5	108.5	111.2	113.9	116.6
			LWT	142.7	143.6	144.4	145.3	138.7	139.8	140.8	141.9	135.7	136.9	138.1	139.3
	6.0	5.1	TC	43.39	41.22	39.05	36.88	53.67	51.01	48.34	45.68	61.57	58.53	55.49	52.44
			LDB	123.5	125.4	127.4	129.3	116.0	118.3	120.6	122.9	110.3	112.9	115.5	118.1
			LWT	145.2	146.0	146.7	147.5	141.7	142.6	143.6	144.5	139.0	140.1	141.1	142.2
180	3.0	2.2	TC	46.92	44.98	43.04	41.10	56.20	53.90	51.60	49.30	62.86	60.31	57.76	55.20
			LDB	128.7	131.0	133.2	135.5	118.6	121.4	124.1	126.7	111.3	114.3	117.3	120.3
			LWT	147.9	149.2	150.5	151.9	141.5	143.1	144.7	146.2	136.9	138.7	140.4	142.2
	4.0	3.2	TC	49.52	47.47	45.41	43.35	60.26	57.79	55.31	52.83	68.23	65.45	62.65	59.86
			LDB	132.5	134.6	136.7	138.8	122.9	125.4	127.9	130.4	115.7	118.5	121.4	124.2
			LWT	154.6	155.6	156.7	157.8	149.1	150.3	151.6	152.9	145.0	146.4	147.8	149.3
	5.0	4.0	TC	51.19	49.06	46.93	44.80	62.94	60.35	57.75	55.15	71.84	68.90	65.95	62.99
			LDB	134.9	136.9	138.9	140.9	125.7	128.1	130.5	132.9	118.7	121.4	124.1	126.7
			LWT	159.0	159.9	160.7	161.6	154.2	155.2	156.3	157.4	150.5	151.7	152.9	154.1
	6.0	5.1	TC	52.36	50.17	47.99	45.81	64.84	62.16	59.48	56.80	74.44	71.38	68.32	65.25
			LDB	136.6	138.6	140.5	142.4	127.7	130.0	132.3	134.6	120.8	123.4	126.0	128.6
			LWT	162.1	162.8	163.6	164.3	157.8	158.7	159.7	160.6	154.5	155.6	156.6	157.7

LEGEND

- EDB - Entering Dry-Bulb (F)
- EWT - Entering Water Temperature (F)
- LDB - Leaving Dry Bulb (F)
- LWT - Leaving Water Temperature (F)
- TC - Total Capacity (MBH)

HC2 / HC3

Table 5 – Heating Capacity - Hot Water Coils - HC3AXX021090

EWT (F)	GPM	PD (FT)		CFM											
				675				1138				1600			
				AIR ENTERING TEMPERATURE EDB (F)											
				60	65	70	75	60	65	70	75	60	65	70	75
140	5.0	4.1	TC	37.72	35.36	33.00	30.65	51.66	48.47	45.27	42.07	61.21	57.45	53.67	49.89
			LDB	111.2	113.1	115.0	116.8	101.5	104.1	106.5	109.0	95.0	97.9	100.8	103.7
			LWT	124.7	125.6	126.6	127.5	119.0	120.3	121.6	122.9	115.1	116.7	118.2	119.7
	6.0	5.3	TC	38.61	36.19	33.78	31.37	53.55	50.23	46.91	43.58	64.03	60.09	56.13	52.17
			LDB	112.4	114.2	116.0	117.8	103.1	105.5	107.9	110.3	96.6	99.4	102.2	105.0
			LWT	126.9	127.7	128.6	129.4	121.9	123.0	124.1	125.2	118.3	119.7	121.0	122.3
	7.0	6.6	TC	39.27	36.81	34.35	31.89	54.97	51.56	48.15	44.73	66.20	62.11	58.01	53.91
			LDB	113.3	115.1	116.8	118.5	104.2	106.5	108.9	111.2	97.9	100.6	103.3	106.0
			LWT	128.6	129.3	130.0	130.7	124.0	125.0	126.0	127.0	120.8	122.0	123.2	124.4
	8.0	8.0	TC	39.77	37.28	34.79	32.30	56.08	52.61	49.11	45.62	67.90	63.71	59.50	55.29
			LDB	114.0	115.7	117.4	119.1	105.1	107.4	109.6	111.9	98.8	101.5	104.2	106.8
			LWT	129.9	130.5	131.2	131.8	125.8	126.6	127.5	128.4	122.8	123.8	124.9	126.0
160	5.0	4.1	TC	47.45	45.07	42.70	40.33	65.11	61.89	58.67	55.45	77.21	73.42	69.63	65.82
			LDB	124.4	126.3	128.2	130.1	112.4	114.9	117.4	119.8	104.2	107.1	110.0	112.9
			LWT	140.6	141.6	142.6	143.5	133.4	134.7	136.0	137.4	128.5	130.0	131.6	133.1
	6.0	5.3	TC	48.54	46.11	43.68	41.25	67.45	64.11	60.77	57.42	80.73	76.76	72.78	68.79
			LDB	125.9	127.7	129.5	131.3	114.2	116.7	119.1	121.4	106.2	109.0	111.8	114.6
			LWT	143.5	144.3	145.1	146.0	137.0	138.2	139.3	140.5	132.5	133.9	135.2	136.6
	7.0	6.6	TC	49.35	46.88	44.41	41.93	69.21	65.77	62.34	58.90	83.41	79.30	75.18	71.06
			LDB	127.0	128.8	130.5	132.3	115.7	118.0	120.3	122.6	107.7	110.5	113.2	115.9
			LWT	145.6	146.3	147.1	147.8	139.8	140.8	141.8	142.8	135.7	136.9	138.1	139.3
	8.0	8.0	TC	49.97	47.47	44.96	42.45	70.57	67.07	63.56	60.05	85.53	81.31	77.08	72.85
			LDB	127.8	129.6	131.3	133.0	116.8	119.0	121.3	123.6	108.9	111.6	114.3	116.9
			LWT	147.2	147.9	148.5	149.2	142.0	142.9	143.8	144.7	138.2	139.2	140.3	141.4
180	5.0	4.1	TC	57.24	54.86	52.47	50.09	78.67	75.44	72.20	68.96	93.36	89.55	85.74	81.92
			LDB	137.7	139.6	141.5	143.4	123.3	125.8	128.3	130.8	113.4	116.3	119.2	122.1
			LWT	156.5	157.5	158.5	159.4	147.7	149.0	150.3	151.7	141.6	143.2	144.8	146.3
	6.0	5.3	TC	58.55	56.10	53.66	51.21	81.46	78.11	74.75	71.38	97.57	93.58	89.58	85.58
			LDB	139.5	141.3	143.1	144.9	125.5	127.9	130.3	132.7	115.8	118.6	121.4	124.2
			LWT	160.0	160.8	161.6	162.5	152.1	153.3	154.4	155.6	146.6	148.0	149.3	150.7
	7.0	6.6	TC	59.50	57.01	54.53	52.04	83.55	80.11	76.65	73.20	100.78	96.65	92.51	88.37
			LDB	140.8	142.5	144.3	146.1	127.2	129.5	131.9	134.2	117.7	120.4	123.1	125.8
			LWT	162.6	163.3	164.0	164.7	155.5	156.5	157.5	158.5	150.4	151.6	152.9	154.1
	8.0	8.0	TC	60.23	57.71	55.19	52.68	85.18	81.66	78.14	74.61	103.31	99.06	94.82	90.56
			LDB	141.8	143.5	145.2	146.9	128.5	130.8	133.1	135.3	119.1	121.8	124.4	127.1
			LWT	164.6	165.2	165.8	166.5	158.1	159.0	160.0	160.9	153.5	154.6	155.7	156.8

HC2 / HC3

LEGEND

- EDB - Entering Dry-Bulb (F)
- EWT - Entering Water Temperature (F)
- LDB - Leaving Dry Bulb (F)
- LWT - Leaving Water Temperature (F)
- TC - Total Capacity (MBH)

Table 6 – Heating Capacity - Hot Water Coils - HC3AXX024100

EWT (F)	GPM	PD (FT)		CFM											
				1050				1400				1750			
				AIR ENTERING TEMPERATURE EDB (F)											
				60	65	70	75	60	65	70	75	60	65	70	75
140	5.0	4.3	TC	47.90	44.93	41.96	38.98	55.81	52.37	48.93	45.47	62.05	58.25	54.43	50.60
			LDB	101.8	104.3	106.7	109.2	96.5	99.3	102.1	104.9	92.5	95.5	98.6	101.6
			LWT	120.5	121.7	123.0	124.2	117.3	118.7	120.1	121.5	114.8	116.3	117.9	119.4
	6.0	5.6	TC	49.48	46.40	43.33	40.25	58.07	54.48	50.89	47.30	64.96	60.96	56.95	52.94
			LDB	103.1	105.5	107.9	110.3	98.0	100.7	103.4	106.1	94.0	97.0	99.9	102.9
			LWT	123.2	124.3	125.3	126.4	120.3	121.6	122.8	124.0	118.0	119.4	120.7	122.1
	7.0	7.0	TC	50.66	47.51	44.36	41.20	59.78	56.09	52.39	48.68	67.18	63.04	58.89	54.73
			LDB	104.2	106.5	108.8	111.1	99.1	101.8	104.4	107.0	95.1	98.0	100.9	103.8
			LWT	125.3	126.2	127.1	128.0	122.7	123.7	124.8	125.9	120.5	121.7	122.9	124.1
	8.0	8.5	TC	51.58	48.37	45.15	41.94	61.13	57.35	53.56	49.77	68.94	64.69	60.43	56.16
			LDB	105.0	107.3	109.5	111.8	100.0	102.6	105.2	107.7	96.1	98.9	101.7	104.5
			LWT	126.9	127.7	128.5	129.4	124.5	125.4	126.4	127.4	122.5	123.6	124.7	125.7
160	5.0	4.3	TC	60.32	57.33	54.34	51.34	70.35	66.89	63.42	59.95	78.26	74.43	70.59	66.74
			LDB	112.6	115.1	117.6	120.0	106.0	108.8	111.6	114.4	100.9	104.0	107.1	110.1
			LWT	135.4	136.6	137.8	139.0	131.3	132.7	134.1	135.5	128.0	129.6	131.2	132.7
	6.0	5.6	TC	62.27	59.18	56.08	52.99	73.16	69.55	65.94	62.32	81.88	77.86	73.83	69.79
			LDB	114.3	116.7	119.1	121.5	107.8	110.6	113.3	116.0	102.8	105.8	108.8	111.7
			LWT	138.8	139.9	140.9	142.0	135.1	136.3	137.6	138.8	132.1	133.5	134.9	136.2
	7.0	7.0	TC	63.73	60.56	57.41	54.22	75.28	71.57	67.85	64.12	84.64	80.48	76.31	72.13
			LDB	115.6	117.9	120.3	122.5	109.2	111.9	114.5	117.2	104.3	107.2	110.1	113.0
			LWT	141.4	142.3	143.3	144.2	138.0	139.1	140.2	141.3	135.3	136.5	137.7	139.0
	8.0	8.5	TC	64.86	61.63	58.40	55.17	76.95	73.15	69.34	65.53	86.83	82.55	78.27	73.98
			LDB	116.6	118.8	121.1	123.4	110.3	112.9	115.5	118.1	105.4	108.3	111.1	113.9
			LWT	143.4	144.3	145.1	145.9	140.4	141.3	142.3	143.3	137.8	138.9	140.0	141.1
180	5.0	4.3	TC	72.83	69.89	66.87	63.81	85.01	81.54	78.06	74.57	94.61	90.76	86.91	83.04
			LDB	123.5	126.1	128.5	131.0	115.6	118.4	121.2	124.0	109.5	112.6	115.6	118.7
			LWT	150.1	151.3	152.5	153.8	145.1	146.5	147.9	149.4	141.1	142.7	144.3	145.9
	6.0	5.6	TC	75.16	72.05	68.94	65.83	88.37	84.75	81.12	77.49	98.95	94.91	90.87	86.81
			LDB	125.5	127.9	130.3	132.7	117.8	120.5	123.3	126.0	111.8	114.8	117.7	120.7
			LWT	154.3	155.3	156.4	157.5	149.8	151.0	152.2	153.5	146.1	147.5	148.9	150.3
	7.0	7.0	TC	76.89	73.71	70.52	67.33	90.91	87.17	83.44	79.69	102.25	98.07	93.88	89.69
			LDB	127.0	129.4	131.7	134.1	119.5	122.1	124.8	127.4	113.5	116.4	119.3	122.2
			LWT	157.5	158.4	159.3	160.3	153.3	154.4	155.5	156.6	150.0	151.2	152.5	153.7
	8.0	8.5	TC	78.23	74.99	71.75	68.50	92.89	89.07	85.25	81.42	104.86	100.56	96.26	91.96
			LDB	128.2	130.5	132.8	135.1	120.7	123.4	126.0	128.6	114.9	117.7	120.6	123.4
			LWT	159.9	160.8	161.6	162.4	156.2	157.1	158.1	159.1	153.1	154.2	155.3	156.4

LEGEND

- EDB - Entering Dry-Bulb (F)
- EWT - Entering Water Temperature (F)
- LDB - Leaving Dry Bulb (F)
- LWT - Leaving Water Temperature (F)
- TC - Total Capacity (MBH)

Table 7 – HC Airside Pressure Drop

	CFM	HOT WATER	
		2 ROW	3 ROW
HC 017	625	0.0478	0.0718
	875	0.0950	0.1425
	1125	0.1559	0.2339
HC 021	675	0.0508	0.1503
	1138	0.0986	0.1480
	1600	0.1971	0.2957
HC 024	1050	0.0571	0.0857
	1400	0.1023	0.1534
	1750	0.1605	0.2408

All values are in inches of water.
 Pressure drop includes standard fiberglass filters.
 All pressure drops are with dry coil.