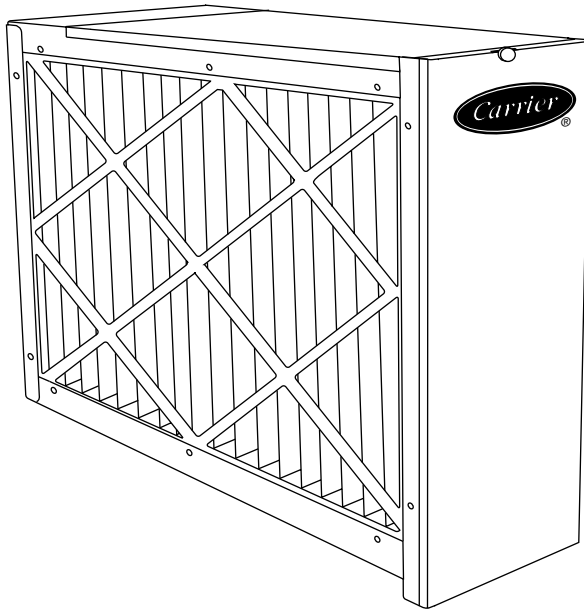




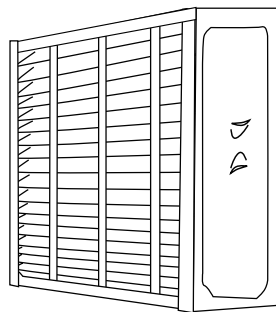
Product Data

FILCAB, FILCAR & EZ Flex Efficient Mechanical Air Cleaner

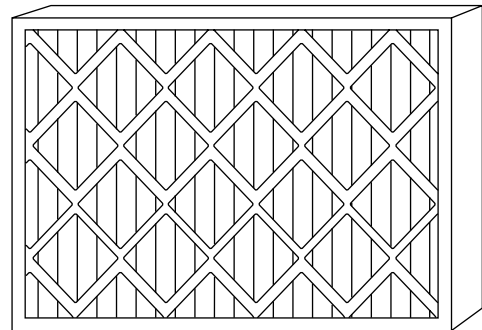
Sizes 016, 020, 024



FILCAB Filter Cabinet



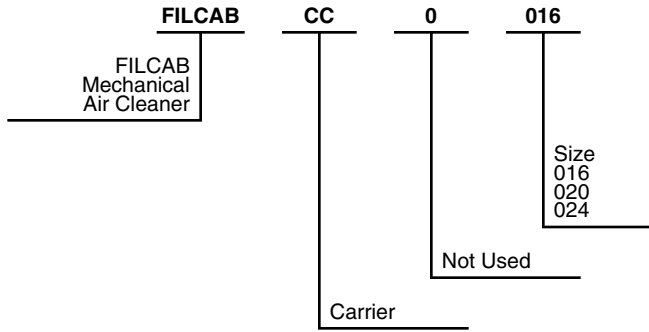
EZ Flex Expandable Filter



FILCAR Media Filter

FILCAB

Model number nomenclature



Model FILCAB

The FILCAB Mechanical Air Cleaner cleans the air of dust, pollen, and smoke which helps keep homes cleaner and fresher longer .

FEATURES/BENEFITS

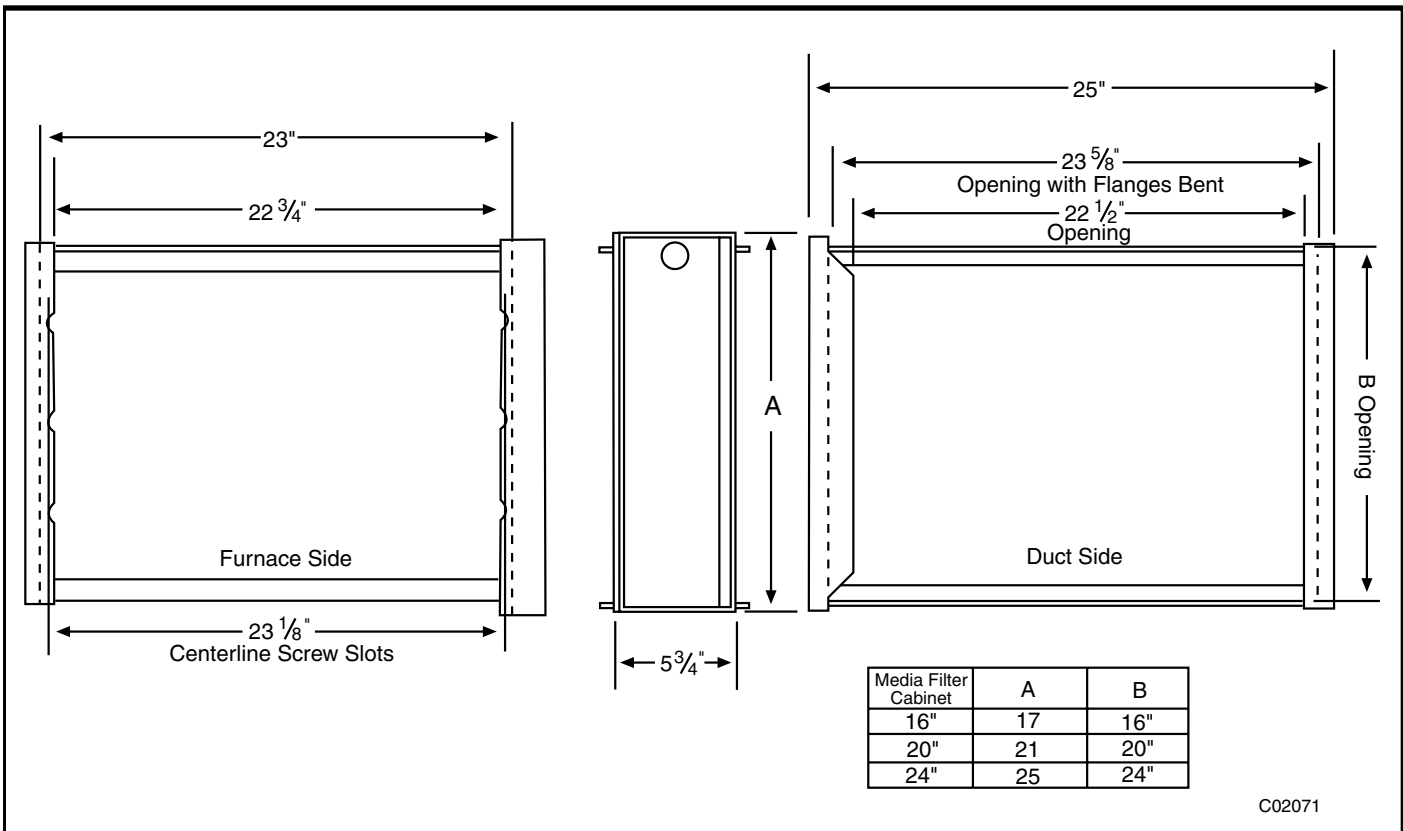
EASY FILTER ACCESS — Using the FILCAB air cleaner allows homeowners easy filter access. They will no longer have to go inside the furnace to access or change the filter.

IMPROVED INDOOR FILCAR AIR QUALITY (IAQ) — When used with the Carrier high-efficiency FILCAR or EZFLEX filter, the FILCAB media cabinet provides homeowners with improved IAQ.

TROUBLE-FREE INSTALLATION — No electricity is required.

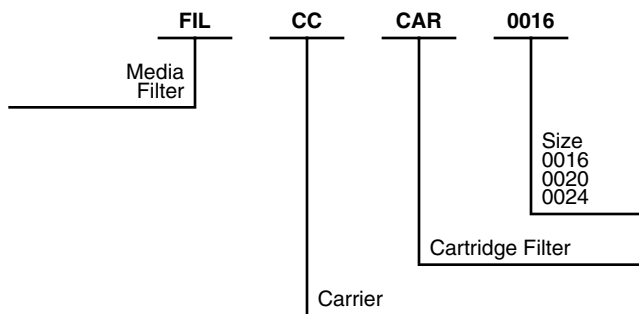
NEARLY MAINTENANCE FREE OPERATION — The only maintenance required is replacing the media filter cartridge when needed – before each heating or cooling season or at least once a year, depending on conditions.

Dimensions



FILCAR

Model number nomenclature



Model FILCAR

This filter's Minimum Efficiency Reporting Value (MERV) is specified by ASHRAE Standard 52.2. It is based on lab tests to determine the filter's ability to trap particles. MERVs for residential filters will typically be in the range of MERV 1-10. The higher the value, the more efficient the filter. MERV 8 filters have a minimum of 70% particle collection efficiency in the 3-10 micron particle size range. (Human hair is approximately 50-100 microns in diameter.) All three sizes of filters reach a MERV 8.

FEATURES/BENEFITS

LARGE DUST HOLDING CAPACITY — These filters can accommodate between 20 and 31 sq. ft. of filter media into a unique low-pressure drop design — providing one of the largest

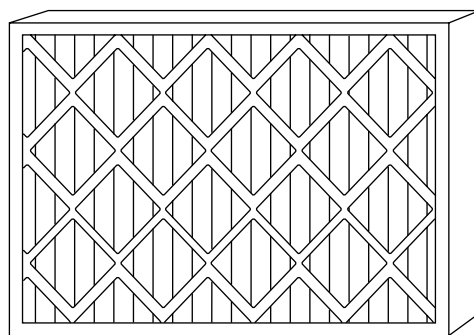
dust-holding capacities available in efficient residential air cleaners today.

The FILCAR has a high dust holding capacity. This increases the time between filter changes.

The exceptionally large surface area traps dust, pollen, molds, tobacco smoke, grease, soot, bacteria, and animal dander to provide cleaner, fresher air that is free of airborne pollutants and irritants regardless of the season.

EXCEPTIONAL SYSTEM PERFORMANCE— For optimum system performance use the FILCAB & Carrier high efficiency media filter designed especially for Carrier furnaces.

Dimensions



A00155

DIMENSIONS (In.)

PRODUCT NUMBER	Media Area (Gross)	Dimensions (In.) Tolerance: +/- 0.125"
FILCCAR0016-A02	≥20.6 sq. ft.	24.75 x 15.625 x 4.3125
FILCCAR0020-A02	≥26.1 sq. ft.	24.75 x 19.8125 x 4.3125
FILCCAR0024-A02	≥31.2 sq. ft.	24.75 x 23.6875 x 4.3125

FILCAR

Physical data

SIZE	016	020	024
RATED AIRFLOW	600–1600 CFM	600–2000 CFM	600–2200 CFM
MERV	8	8	8
DUST HOLDING CAPACITY (grams)	120	155	190
ATMOSPHERIC DUST SPOT EFFICIENCY	43.5%	41.2%	45.0%
TYPICAL STATIC PRESSURE DROP (in. wc.) (Clean @ rated airflow)	<.25	<.25	<.23
FILTER MEDIA	Polyolefin		
SHIPPING WEIGHT (2 pack)	6 lb	8 lb	8 lb

PLEATED MEDIA FILTER	EFFICIENCY ¹	PRESSURE DROP ²	DUST HOLDING CAPACITY ³
16-in. (FILCCAR0016)	E1: 19.8%	0.21-in.	120.0g
	E2: 50.0%		
	E3: 72.7%		
20-in. (FILCCAR0020)	E1: 19.8%	0.20-in.	155.0g
	E2: 50.0%		
	E3: 72.7%		
24-in. (FILCCAR0024)	E1: 19.8%	0.18-in.	190.0g
	E2: 50.0%		
	E3: 72.7%		

Notes:

- Minimum Efficiency Reporting Value (MERV) per ASHRAE 52.2 (Exceeds proposed ASHRAE 62.2p requirement for manufacturers to provide a filter with a MERV rating of at least 6.
E1: MINIMUM Average Efficiency for particles sized between 0.3 and 1 micron.
E2: MINIMUM Average Efficiency for particles sized between 1 and 3 microns.
E3: MINIMUM Average Efficiency for particles sized between 3 and 10 microns.
Reaches 98% efficiency for particles sized between 7 and 10 microns at 0.40-in. pressure drop.
- Initial pressure drop (in. wc) at rated airflow (1400CFM for FILCCAR0016, 1700CFM for FILCCAR0020, and 2000CFM for FILCCAR0024).
- At 0.5-in. pressure drop and 500FPM per ASHRAE 52.1.

Replacement filters

REPLACEMENT FILTERS ORDER NUMBER	FILCCAR0016	FILCCAR0020	FILCCAR0024
NUMBER OF FILTERS PER CARTON	2	2	2

Pressure drop

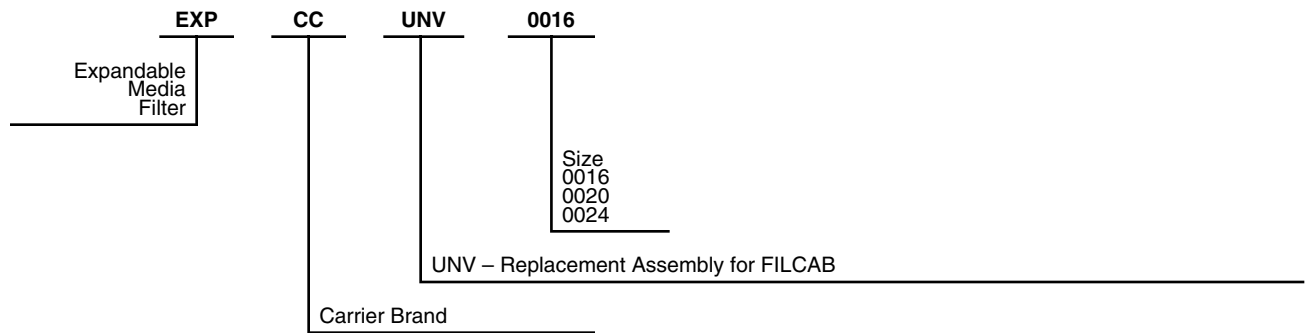
PRESSURE DROP AT VARIOUS AIRFLOWS (CLEAN)

SIZE	TYPICAL FACTORY SUPPLIED FURNACE/FAN COIL FILTER	016 Typical	020 Typical	024 Typical
Airflow (CFM)	Resistance (inches of water) (Clean filter)			
600	0.015	0.045	0.025	0.02
800	0.02	0.07	0.045	0.03
1000	0.03	0.105	0.06	0.05
1200	0.035	0.14	0.085	0.07
1400	0.045	0.18	0.1	0.08
1600	0.055	0.23	0.13	0.12
1800	0.062	—	0.165	0.14
2000	0.07	—	0.19	0.15
2200	—	—	—	0.17

NOTE: When applying the FILCAB and FILCAR, attention must be given to the duct and system design because all these components affect system static pressure. The FILCAR has a higher static pressure drop than the typical factory supplied furnace and/or fan coil filter (as shown above), but is designed to ensure proper system efficiency and reliability when applied to a properly designed duct system and properly sized HVAC equipment.

EZ Flex Filter

Model number nomenclature



Model EZ Flex

The EZ Flex™ Expandable Air Filter sets the precedent in the air filtration industry! Coupling easy, time saving assembly and flexible design, the EZ Flex™ filter is the answer for any contractor who wants to save both time and money.

FEATURES/BENEFITS

FLEXIBLE DESIGN — EZ Flex can be used in upflow, downflow and horizontal applications.

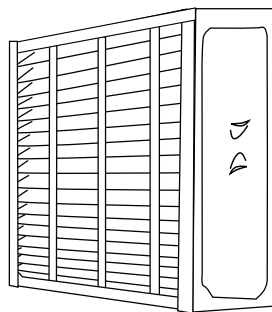
EFFICIENT DESIGN — The EZ Flex™ filter is rated at MERV 10. MERV (ASHRAE Standard 52.2, Minimum Efficiency Reporting Value) for residential filters will typically be in range of MERV 1-10. The higher value the more efficient the filter.

SYSTEM FRIENDLY PRESSURE DROP — The EZ Flex™ filter protects HVAC system by not producing significant pressure drop, therefore allowing the system to operate at its optimum efficiency.

LARGE DUST HOLDING CAPACITY — The EZ Flex™ has a high dust holding capacity. This increases the time between filter changes.

The exceptionally large surface area traps dust, pollen, molds, tobacco smoke, grease, soot, bacteria, and animal dander to provide cleaner, fresher air that is free of airborne pollutants and irritants regardless of the season.

Dimensions



DIMENSIONS (In.)

UNIT SIZE	Media Area (Gross)	Dimensions (In.) Tolerance: +/- 0.125" UNV Models	Dimensions (In.) Tolerance: +/- 0.125" LMC Models
0016	23.14 sq ft.	24.6875 X 15.9 X 4.5	25.3125 X 15.9 X 4.5
0020	28.58 sq ft.	24.6875 X 19.9 X 4.5	25.3125 X 19.9 X 4.5
0024	34.03 sq. ft.	24.6875 X 23.9 X 4.5	25.3125 X 23.9 X 4.5

EZ Flex Filter

Physical data

SIZE	016	020	024
RATED AIRFLOW	600–1600 CFM	600–2000 CFM	600–2200 CFM
MERV	10	10	10
DUST HOLDING CAPACITY (grams)	105	140	180
ATMOSPHERIC DUST SPOT EFFICIENCY (initial)	45%	45%	45%
TYPICAL STATIC PRESSURE DROP (in. wc.) (Clean @ rated airflow)	.2	.19	.15
FILTER MEDIA	Synthetic		
FILTER AREA (sq ft)	23.14	28.58	34.03
SHIPPING WEIGHT (10 pack) (lbs)	25 lb	26 lb	30 lb

PLEATED MEDIA FILTER	EFFICIENCY ¹		PRESSURE DROP ²	DUST HOLDING CAPACITY ³
16-in.	MERV 10	E1: 24.4%	0.20-in.	105g
		E2: 56.3%		
		E3: 92.4%		
20-in.		E1: 26.2%	0.19-in.	140g
		E2: 60.2%		
		E3: 86.0%		
24-in.		E1: 24.3%	0.15-in.	180g
		E2: 52.7%		
		E3: 86.1%		

Notes:

1. Minimum Efficiency Reporting Value (MERV) is specified by ASHRAE Standard 52.2. It is based on lab tests to determine the filter's ability to trap particles. MERVs for residential filters will typically be in the range of MERV 1-10. The higher the value, the more efficient the filter. MERV 10 filters have a minimum of 85% particle collection efficiency in the .3-.10 micron particle size range. (Human hair is approximately 50-100 microns in diameter.) All three sizes of filters reach a MERV 10.

E1: MINIMUM Average Efficiency for particles sized between 0.3 and 1 micron.

E2: MINIMUM Average Efficiency for particles sized between 1 and 3 microns.

E3: MINIMUM Average Efficiency for particles sized between 3 and 10 microns.

Reaches 99% efficiency for particles sized between 7 and 10 microns at 0.40-in. pressure drop.

2. Initial pressure drop (in. wc) at rated airflow (1400CFM for EXPXXUNV0016, EXPXXLMC0016, EXPXXFIL0016, 1700CFM for EXPXXUNV0020, EXPXXLMC0020, EXPXXFIL0020, and 2000CFM for EXPXXUNV0024, EXPXXLMC0024, EXPXXFIL0024).

3. At 0.5-in. pressure drop and 500FPM per ASHRAE 52.1.

Replacement filters

REPLACEMENT FILTERS ORDER NUMBER	EXPXXFIL0016	EXPXXFIL0020	EXPXXFIL0024
NUMBER OF FILTERS PER CARTON	10	10	10

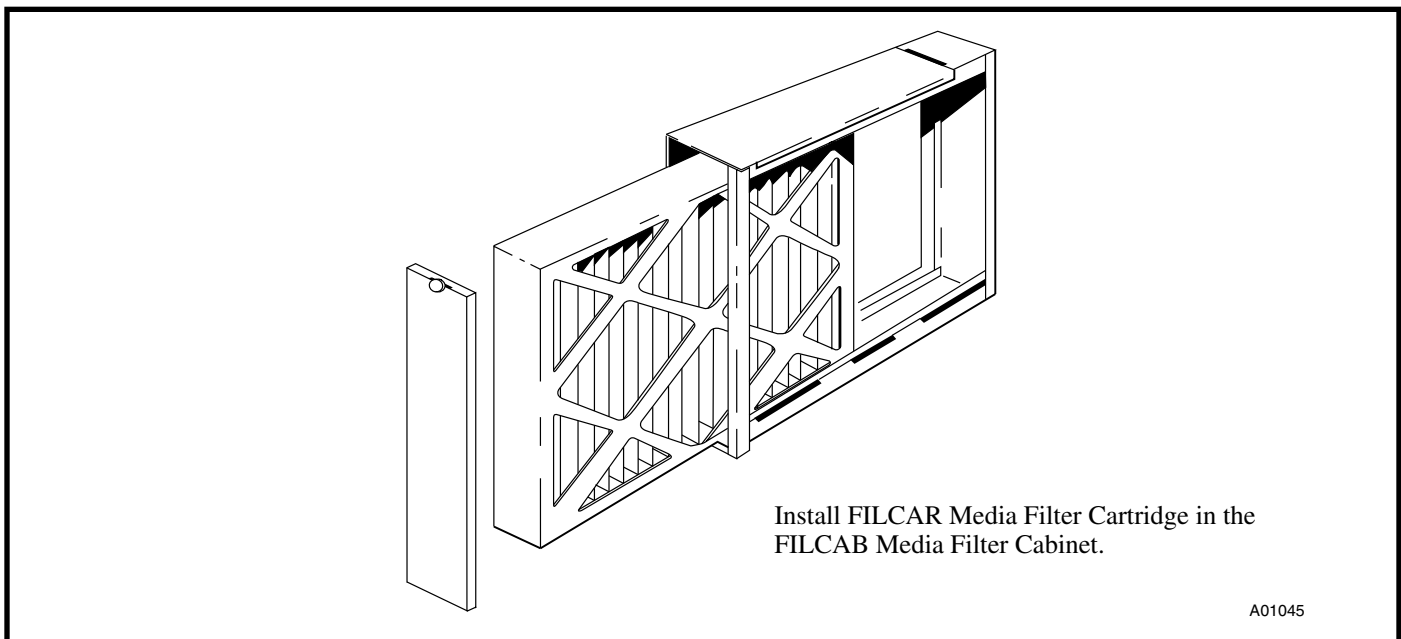
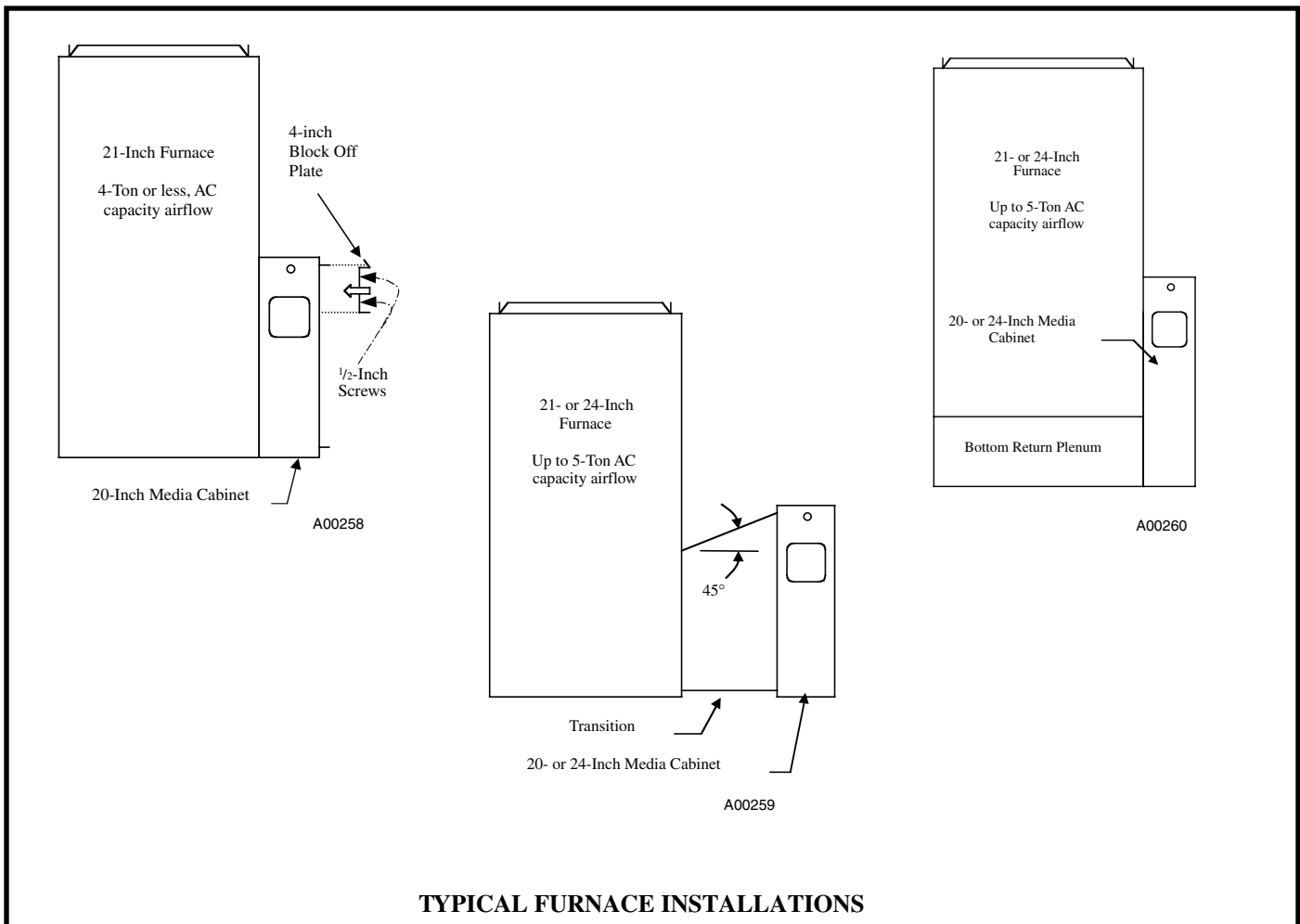
Pressure drop

PRESSURE DROP AT VARIOUS AIRFLOWS (CLEAN)

SIZE	TYPICAL FACTORY SUPPLIED FURNACE/FAN COIL FILTER	016 Typical	020 Typical	024 Typical
Airflow (CFM)	Resistance (inches of water) (Clean filter)			
600	0.015	0.045	0.03	0.02
800	0.02	0.075	0.05	0.03
1000	0.03	0.11	0.075	0.05
1200	0.035	0.15	0.10	0.07
1400	0.045	0.2	0.13	0.08
1600	0.055	0.25	0.16	0.12
1800	0.062	—	0.20	0.14
2000	0.07	—	0.23	0.15
2200	—	—	—	0.18

NOTE: When applying the EZ Flex™, attention must be given to the duct and system design because all these components affect system static pressure. The EZ Flex™ has a higher static pressure drop than the typical factory supplied furnace and/or fan coil filter (as shown above), but is designed to ensure proper system efficiency and reliability when applied to a properly designed duct system and properly sized HVAC equipment.

Typical installations





Manufacturer reserves the right to discontinue, or change at any time, specifications or designs without notice and without incurring obligations.