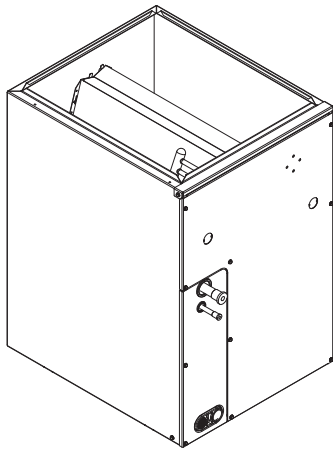


CAPVP, CARVP, CAPVU, CARVU Evaporator Coil A Coil – Cased and Uncased Upflow, Downflow



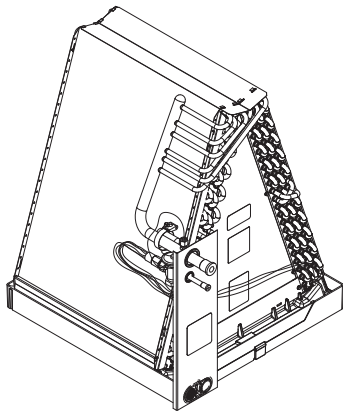
Turn to the Experts.™

Product Data



CAPVP / CARVP

A06001



CAPVU / CARVU

A06002

The CAPVP, CARVP, CAPVU, and CARVU evaporator coils incorporate proven standards for reliable system operation and performance throughout the life of a quality Carrier Air Conditioner or Heat Pump system. Evaporator coils manufactured by Carrier and installed as part of a total comfort system provide ARI-rated performance ratings and are additionally listed with UL and c-UL.

The coils are available for use in Puron® refrigerant and R-22 systems. The CAPVP and CARVP are cased A-coils that are housed in a durable, 22-gauge cabinet, pre-painted taupe metallic to match the Carrier furnaces. Not only will the color match, but Carrier A-coils come in sizes to fit “all” Carrier furnaces, even the narrow designs. The fully-insulated cabinet (foil faced with R-2.1 insulation properties) provides for quiet, efficient operation of the

evaporator coil. The coils are available in sizes 018 through 060 (1.5-5 tons). The same evaporator coils are available in uncased versions, CAPVU and CARVU.

DESIGN FEATURES

Performance — Designed with performance in mind, these A-coils offer low pressure drops to enhance system performance and airflow characteristics.

Thermostatic Expansion Valves (TXV) — All Carrier coils have refrigerant-specific, factory-installed TXVs.

Durable Condensate Pan — The corrosion-resistant drain pan is designed with a “fiberglass reinforced thermoset polyester” material (FRTP) that offers unsurpassed pan strength. It is engineered with proper slope to help ensure water drainage, reduced pan sweating and improved moisture removal for better home comfort.

Refrigerant Connections — The coils are provided with proven sweat connections for leak-free operation maintaining system reliability. The side mounting tubing to the coil slabs allows for easy cleaning and servicing of the coils, as well as easy access to the TXV.

Burst Pressure — These coils meet or exceed burst pressure of 2100 psi which is at least three to five times the pressure they will see in actual application.

UV Knockouts — The cased coils also come with factory-installed UV knockouts for quick and easy installation of Carrier UV lights.

Serviceability — All the coils come with a “split-delta plate” for easy, quick access to the coil for service and cleaning. Also the coils are removable from the front of the unit without use of any tools (once the door is removed). The units are also designed with a single size screw, the same size as used on all our Carrier furnaces. One tool required for all jobs.

Installation Flexibility — The CAPVU and CARVU evaporator coils are uncased A-coils that provide flexibility for a wide variety of field applications installed in either a factory-manufactured accessory casing, or a field-supplied plenum enclosure. Water management capabilities have been enhanced for downflow applications.

Coil Support — Carrier provides a standard factory pan support for the uncased coil, providing precise, durable support in the plenum for easier installations.

Face Plate — A unique Carrier feature, the face plate comes shipped with the uncased evaporator coil models, provides for a more professional installation and prevents air leaks at the refrigerant line connections.

Tin-Plated Copper Coil Models — Separate lines of tin-plated copper coil models are available, cased and uncased. “T” models are built with special hairpins—tin-plated to resist both general pitting corrosion and excessive indoor corrosion known as Formicary Corrosion. (Formicary Corrosion is an industry phenomenon.)

MODEL NUMBER NOMENCLATURE

1 2 3 4 5 6 7 8 9 10 11 12
 C A P V P 1 8 1 4 A C A

Product
 C = Coil

Type
 A – A Coil

Refrigerant Type
 P = Puron® (R-410A) Refrigerant TXV
 R = R-22 TXV

Coil Configuration
 V = Upflow / Downflow

Cabinet Finish
 P = Painted
 U = Uncased

Variations
 A = Basic

Tubing Design
 C = Copper
 T = Tin Plated Copper

Revision Level
 A = 1st

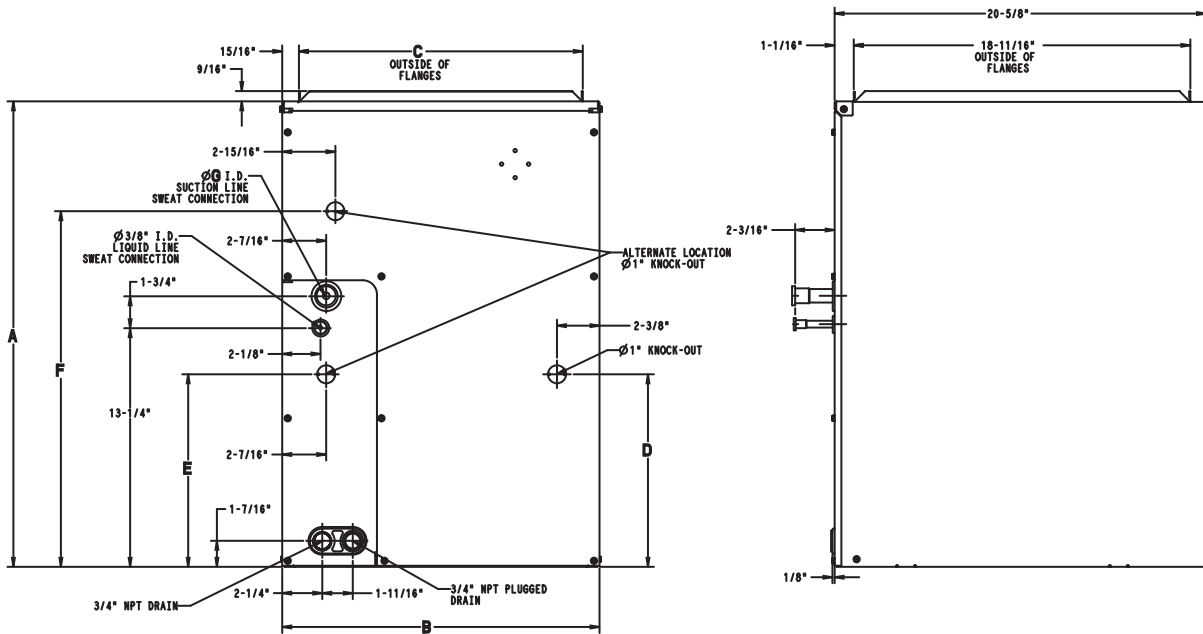
Cabinet Width
 14 = 14-in. / 356mm
 17 = 17-in. / 432mm
 21 = 21-in. / 533mm
 24 = 24-in. / 610mm

Unit Capacity
 18 = 1 1/2 Ton
 24 = 2 Ton
 30 = 2 1/2 Ton
 36 = 3 Ton
 42 = 3 1/2 Ton
 48 = 4 Ton
 60 = 5 Ton

CAPVP / CARVP / CAPVU / CARVU



CERTIFICATION APPLIES ONLY WHEN THE COMPLETE SYSTEM IS LISTED WITH ARI

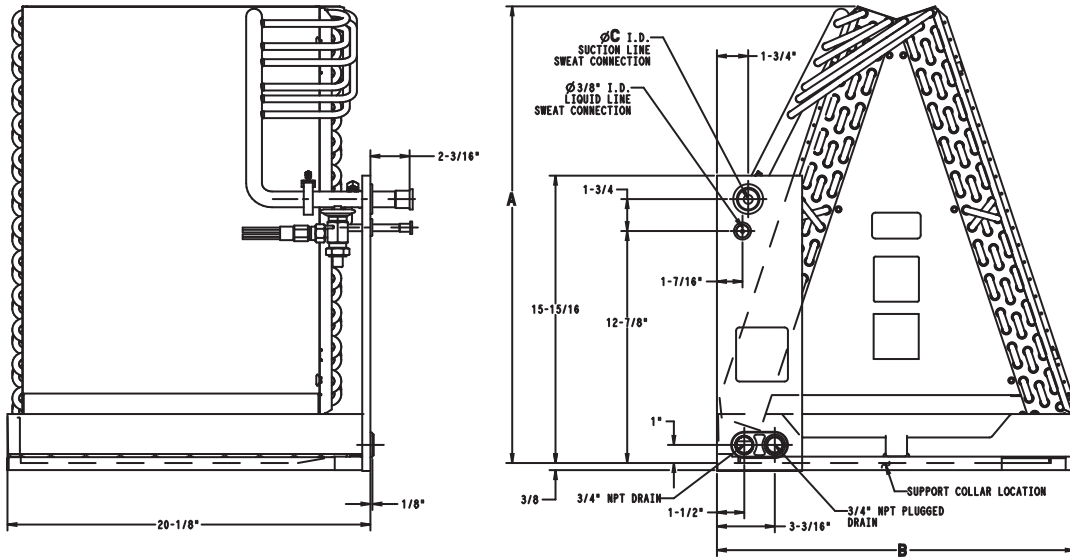


A05392

DIMENSIONS - CA(P,R)VP

CA(P,R)VP	A in. (mm.)	B in. (mm.)	C in. (mm.)	D in. (mm.)	E in. (mm.)	F in. (mm.)	G in. (mm.)	SHIPPING WT. lb. (kg.)	
								Non-Coated Hairpins (C)	Tin-Coated Hairpins (T)
1814(C,T)A	18-5/16 (465)	14-3/16 (360)	12-7/16 (316)	10-11/16 (271)	10-11/16 (271)	-	5/8 (16)	34.5 (16)	37.0 (18)
2414(C,T)A	19-9/16 (497)	14-3/16 (360)	12-7/16 (316)	10-11/16 (271)	10-11/16 (271)	-	5/8 (16)	38.0 (17)	41.0 (19)
2417(C,T)A	19-9/16 (497)	17-1/2 (445)	15-3/4 (400)	10-11/16 (271)	10-11/16 (271)	-	5/8 (16)	40.5 (18)	44.0 (20)
3014(C,T)A	23-11/16 (602)	14-3/16 (360)	12-7/16 (316)	17-3/16 (436)	-	19-3/4 (502)	3/4 (19)	48.0 (22)	50.5 (23)
3017(C,T)A	23-11/16 (602)	17-1/2 (445)	15-3/4 (400)	17-3/16 (436)	-	19-3/4 (502)	3/4 (19)	50.5 (23)	53.5 (24)
3614(C,T)A	25-7/8 (657)	14-3/16 (360)	12-7/16 (316)	17-3/16 (436)	-	19-3/4 (502)	3/4 (19)	51.0 (23)	54.0 (24)
3617(C,T)A	25-7/8 (657)	17-1/2 (445)	15-3/4 (400)	17-3/16 (436)	-	19-3/4 (502)	3/4 (19)	54.5 (25)	57.5 (26)
3621(C,T)A	25-7/8 (657)	21 (533)	19-1/4 (489)	17-3/16 (436)	-	19-3/4 (502)	3/4 (19)	58.0 (26)	61.0 (28)
4221(C,T)A	27-9/16 (700)	21 (533)	19-1/4 (489)	19-3/4 (502)	-	19-3/4 (502)	7/8 (22)	64.5 (29)	67.5 (31)
4224(C,T)A	27-9/16 (700)	24-1/2 (622)	22-3/4 (578)	19-3/4 (502)	-	19-3/4 (502)	7/8 (22)	69.0 (31)	72.0 (33)
4817(C,T)A	33-7/8 (860)	17-1/2 (445)	15-3/4 (400)	19-3/4 (502)	-	19-3/4 (502)	7/8 (22)	78.5 (36)	81.5 (37)
4821(C,T)A	27-9/16 (700)	21 (533)	19-1/4 (489)	19-3/4 (502)	-	19-3/4 (502)	7/8 (22)	71.5 (32)	74.5 (34)
4824(C,T)A	27-9/16 (700)	24-1/2 (622)	22-3/4 (578)	19-3/4 (502)	-	19-3/4 (502)	7/8 (22)	76.5 (35)	79.0 (36)
6021(C,T)A	33-7/8 (860)	21 (533)	19-1/4 (489)	19-3/4 (502)	-	19-3/4 (502)	7/8 (22)	83.0 (38)	86.0 (39)
6024(C,T)A	33-7/8 (860)	24-1/2 (622)	22-3/4 (578)	19-3/4 (502)	-	19-3/4 (502)	7/8 (22)	87.5 (40)	90.5 (41)

CAPVP / CARVP / CAPVU / CARVU



A05393

DIMENSIONS - CA(P,R)VU

UNIT	A in. (mm.)	B in. (mm.)	C in. (mm.)	SHIPPING WT. lb. (kg.)
CA(P,R)VU1814ACA	13-5/8 (346)	13 (330)	5/8 (16)	22.0 (10)
CA(P,R)VU2414ACA	17-3/4 (451)	13 (330)	5/8 (16)	26.5 (12)
CA(P,R)VU2417ACA	17-1/4 (438)	16-5/16 (414)	5/8 (16)	29.0 (13)
CA(P,R)VU3014ACA	21-7/8 (556)	13 (330)	3/4 (19)	33.0 (15)
CA(P,R)VU3017ACA	21-7/16 (545)	16-5/16 (414)	3/4 (19)	33.0 (15)
CA(P,R)VU3614ACA	23-15/16 (608)	13 (330)	3/4 (19)	32.0 (15)
CA(P,R)VU3617ACA	23-9/16 (598)	16-5/16 (414)	3/4 (19)	36.5 (17)
CA(P,R)VU3621ACA	23 (584)	19-13/16 (503)	3/4 (19)	37.5 (17)
CA(P,R)VU4221ACA	25-1/16 (637)	19-13/16 (503)	7/8 (22)	40.0 (18)
CA(P,R)VU4224ACA	24-1/2 (622)	23-5/16 (592)	7/8 (22)	43.5 (20)
CA(P,R)VU4817ACA	29-7/8 (759)	16-5/16 (414)	7/8 (22)	52.0 (24)
CA(P,R)VU4821ACA	25-5/16 (643)	19-13/16 (503)	7/8 (22)	49.0 (22)
CA(P,R)VU4824ACA	24-13/16 (630)	23-5/16 (592)	7/8 (22)	50.5 (23)
CA(P,R)VU6021ACA	31-1/2 (800)	19-13/16 (503)	7/8 (22)	59.0 (27)
CA(P,R)VU6024ACA	31-1/16 (789)	23-5/16 (592)	7/8 (22)	57.0 (26)

PERFORMANCE DATA

COOLING CAPACITIES (MBH) - PURON® REFRIGERANT

CAPV UNIT SIZE	INDOOR COIL AIR		SATURATED TEMPERATURE LEAVING EVAPORATOR °F (°C)														
			30 (-1)			35 (2)			40 (4)			45 (7)			50 (10)		
	CFM	EWB	TC	SHC	BF	TC	SHC	BF	TC	SHC	BF	TC	SHC	BF	TC	SHC	BF
1814	450	72 (22)	32.00	15.70	0.00	29.30	14.30	0.00	26.40	12.80	0.00	23.10	11.30	0.00	19.50	9.70	0.01
		67 (19)	26.80	16.10	0.01	24.10	14.60	0.01	21.10	13.10	0.01	17.80	11.50	0.02	14.20	9.90	0.02
		62 (17)	22.10	16.50	0.02	19.30	14.90	0.02	16.40	13.40	0.02	13.20	11.80	0.02	10.30	10.30	0.05
	600	72 (22)	39.20	19.10	0.00	36.00	17.40	0.00	32.30	15.70	0.00	28.30	13.90	0.02	23.80	12.00	0.02
		67 (19)	32.90	19.90	0.03	29.60	18.20	0.03	25.90	16.30	0.03	21.90	14.40	0.03	17.40	12.50	0.03
		62 (17)	27.20	20.60	0.04	23.80	18.80	0.04	20.20	16.90	0.04	16.30	15.00	0.04	13.20	13.20	0.09
	750	72 (22)	45.10	21.90	0.00	41.40	20.10	0.00	37.20	18.20	0.02	32.60	16.10	0.04	27.40	14.00	0.04
		67 (19)	38.00	23.20	0.05	34.20	21.20	0.05	29.90	19.10	0.05	25.20	17.00	0.05	20.00	14.70	0.06
		62 (17)	31.50	24.20	0.06	27.60	22.10	0.06	23.40	20.00	0.06	19.10	17.90	0.06	15.70	15.70	0.13
2414 2417	600	72 (22)	39.40	19.20	0.00	36.30	17.60	0.00	32.80	15.90	0.00	28.90	14.10	0.00	24.50	12.20	0.01
		67 (19)	33.10	20.00	0.01	29.90	18.20	0.01	26.30	16.40	0.01	22.40	14.50	0.02	17.90	12.60	0.02
		62 (17)	27.40	20.50	0.02	24.10	18.70	0.02	20.50	16.90	0.02	16.60	15.00	0.02	13.10	13.10	0.05
	800	72 (22)	47.70	23.20	0.00	44.00	21.40	0.00	39.80	19.40	0.00	35.10	17.30	0.02	29.80	15.10	0.02
		67 (19)	40.30	24.50	0.03	36.40	22.50	0.03	32.10	20.40	0.03	27.30	18.10	0.03	21.80	15.80	0.03
		62 (17)	33.40	25.50	0.04	29.50	23.40	0.04	25.10	21.20	0.04	20.50	19.00	0.04	16.70	16.70	0.09
	1000	72 (22)	54.30	26.40	0.00	50.20	24.40	0.00	45.40	22.30	0.02	40.10	20.00	0.04	34.00	17.50	0.04
		67 (19)	46.00	28.20	0.05	41.70	26.10	0.05	36.80	23.70	0.05	31.20	21.20	0.05	25.00	18.60	0.05
		62 (17)	38.30	29.80	0.05	33.80	27.50	0.06	28.90	25.10	0.06	23.80	22.60	0.06	19.90	19.90	0.14
3014 3017	750	72 (22)	49.10	24.00	0.00	45.00	21.90	0.00	40.50	19.70	0.00	35.50	17.40	0.00	30.00	15.00	0.01
		67 (19)	41.20	24.80	0.01	37.00	22.50	0.02	32.40	20.20	0.02	27.40	17.80	0.02	21.90	15.30	0.02
		62 (17)	34.00	25.40	0.02	29.70	23.00	0.02	25.10	20.60	0.02	20.30	18.30	0.02	16.00	16.00	0.06
	1000	72 (22)	59.00	29.10	0.00	55.00	26.70	0.00	49.50	24.10	0.00	43.30	21.30	0.02	36.50	18.40	0.03
		67 (19)	50.40	30.50	0.03	45.30	27.90	0.04	39.70	25.10	0.04	33.50	22.20	0.04	26.70	19.20	0.04
		62 (17)	41.70	31.60	0.04	36.50	28.80	0.04	30.90	26.00	0.04	25.00	23.10	0.05	20.30	20.30	0.10
	1250	72 (22)	68.80	33.40	0.00	63.20	30.70	0.00	56.80	27.80	0.03	49.70	24.70	0.04	41.90	21.40	0.05
		67 (19)	58.00	35.40	0.06	52.20	32.40	0.06	45.70	29.30	0.06	38.50	26.00	0.06	30.60	22.60	0.07
		62 (17)	48.00	37.00	0.07	42.10	33.90	0.07	35.70	30.70	0.07	29.20	27.50	0.07	24.20	24.20	0.14
3614 3617 3621	900	72 (22)	60.30	29.40	0.00	55.40	26.90	0.00	49.90	24.30	0.00	43.80	21.50	0.01	37.00	18.60	0.02
		67 (19)	50.70	30.60	0.02	45.70	27.90	0.03	40.10	25.10	0.03	33.90	22.20	0.03	27.00	19.20	0.03
		62 (17)	41.90	31.50	0.03	36.70	28.70	0.03	31.10	25.80	0.03	25.10	22.90	0.04	20.00	20.00	0.08
	1200	72 (22)	72.40	35.10	0.00	66.50	32.30	0.00	59.90	29.30	0.02	52.50	26.00	0.04	44.30	22.60	0.05
		67 (19)	61.00	37.10	0.05	55.00	34.00	0.06	48.20	30.70	0.06	40.70	27.30	0.06	32.40	23.70	0.06
		62 (17)	50.50	38.80	0.06	44.30	35.50	0.06	37.60	32.10	0.06	30.60	28.70	0.07	25.20	25.20	0.13
	1500	72 (22)	82.20	39.90	0.00	75.60	36.90	0.02	68.10	33.50	0.05	59.70	29.90	0.07	50.40	26.10	0.08
		67 (19)	69.40	42.70	0.08	62.60	39.30	0.08	55.00	35.70	0.08	46.40	31.80	0.09	37.00	27.80	0.09
		62 (17)	57.70	45.10	0.09	50.70	41.40	0.09	43.10	37.70	0.09	35.50	34.00	0.10	29.80	29.80	0.18
4221 4224	1050	72 (22)	75.00	36.40	0.00	69.30	33.70	0.00	62.60	30.60	0.01	55.10	27.40	0.02	46.90	24.00	0.03
		67 (19)	63.30	38.80	0.03	57.20	35.70	0.03	50.50	32.50	0.03	42.90	29.00	0.04	33.50	25.00	0.04
		62 (17)	52.60	40.80	0.04	46.40	37.60	0.04	39.50	34.10	0.04	32.00	30.40	0.05	26.40	26.40	0.14
	1400	72 (22)	87.10	42.50	0.00	80.60	39.50	0.03	73.00	36.20	0.04	64.20	32.50	0.05	54.40	28.60	0.06
		67 (19)	73.80	46.10	0.06	66.90	42.70	0.06	58.90	39.00	0.07	50.10	35.20	0.07	40.00	30.90	0.07
		62 (17)	61.40	49.30	0.07	54.40	45.70	0.07	46.90	42.10	0.07	39.00	38.10	0.09	33.00	33.00	0.19
	1750	72 (22)	96.50	47.40	0.05	89.50	44.30	0.07	81.30	40.80	0.07	71.70	36.90	0.08	60.50	32.60	0.09
		67 (19)	82.10	52.30	0.09	74.60	48.80	0.09	65.90	44.90	0.09	55.90	40.60	0.09	45.10	36.20	0.10
		62 (17)	68.60	56.80	0.10	61.00	53.10	0.10	52.90	49.10	0.10	44.90	44.90	0.12	38.70	38.70	0.24
4817 4821 4824	1200	72 (22)	83.40	40.60	0.00	76.70	37.20	0.00	69.30	33.60	0.00	60.90	29.80	0.01	51.70	25.80	0.02
		67 (19)	70.10	42.30	0.02	63.20	38.60	0.03	55.60	34.80	0.03	47.20	30.80	0.04	37.80	26.60	0.04
		62 (17)	57.90	43.50	0.04	50.90	39.70	0.04	43.20	35.70	0.04	34.90	31.70	0.04	27.70	27.70	0.08
	1600	72 (22)	100.80	48.90	0.00	92.80	45.10	0.00	83.80	40.90	0.01	73.80	36.40	0.04	62.50	31.70	0.05
		67 (19)	84.90	51.70	0.05	76.70	47.40	0.06	67.50	42.90	0.06	57.30	38.10	0.06	45.90	33.20	0.06
		62 (17)	70.40	53.90	0.06	62.00	49.30	0.06	52.60	44.60	0.07	42.80	39.90	0.07	35.00	35.00	0.13
	2000	72 (22)	114.70	55.70	0.00	105.70	51.60	0.00	95.60	47.00	0.05	84.20	42.00	0.07	71.40	36.70	0.08
		67 (19)	97.00	59.50	0.08	87.70	54.90	0.08	77.30	49.90	0.09	65.60	44.60	0.09	52.50	39.00	0.09
		62 (17)	80.60	62.80	0.09	71.00	57.70	0.09	60.50	52.50	0.09	49.60	47.20	0.10	41.30	41.30	0.18
6021 6024	1600	72 (22)	109.20	53.40	0.00	100.00	48.60	0.00	89.90	43.60	0.00	78.60	38.50	0.00	66.40	33.10	0.02
		67 (19)	91.50	55.10	0.02	82.10	50.00	0.03	71.90	44.80	0.03	60.70	39.40	0.03	48.40	34.00	0.03
		62 (17)	75.40	56.30	0.03	65.90	51.00	0.03	55.60	45.70	0.04	44.80	40.40	0.04	35.30	35.30	0.07
	2000	72 (22)	128.00	62.20	0.00	117.20	56.90	0.00	105.20	51.20	0.00	92.00	45.20	0.02	77.50	39.10	0.04
		67 (19)	107.40	64.90	0.04	96.40	59.10	0.04	84.30	53.00	0.05	71.10	46.80	0.05	56.60	40.50	0.05
		62 (17)	88.60	66.90	0.05	77.50	60.80	0.05	65.30	54.60	0.05	52.70	48.50	0.06	42.40	42.40	0.11
	2400	72 (22)	144.20	70.00	0.00	132.10	64.20	0.00	118.50	57.90	0.01	103.60	51.20	0.04	87.20	44.30	0.06
		67 (19)	121.20	73.60	0.06	108.80	67.20	0.06	95.10	60.40	0.07	80.10	53.50	0.07	63.70	46.40	0.07
		62 (17)	100.10	76.40	0.07	87.50	69.60	0.07	73.80	62.70	0.07	59.80	56.00	0.08	48.90	48.90	0.14

CAPVP / CARVP / CAPVU / CARVU

Legend:

CFM – Cubic Ft. per Minute EWB – Entering Wet Bulb LWB – Leaving Wet Bulb TC – Gross Cooling Capacity 1000 Btuh
 SHC – Gross Sensible Capacity 1000 Btuh BF – Bypass Factor MBH – 1000 Btuh

See notes on page 7.

PERFORMANCE DATA (cont.)

COOLING CAPACITIES (MBH) - R-22 REFRIGERANT

CARV UNIT SIZE	INDOOR COIL AIR		SATURATED TEMPERATURE LEAVING EVAPORATOR °F (°C)														
			30 (-1)			35 (2)			40 (4)			45 (7)			50 (10)		
	CFM	EWB	TC	SHC	BF	TC	SHC	BF	TC	SHC	BF	TC	SHC	BF	TC	SHC	BF
1814	450	72 (22)	29.90	14.50	0.00	27.70	13.40	0.00	25.10	12.30	0.00	22.00	10.90	0.00	18.30	9.30	0.01
		67 (19)	25.30	15.40	0.01	22.90	14.20	0.01	20.00	12.80	0.01	16.70	11.20	0.02	12.90	9.60	0.02
		62 (17)	20.90	16.00	0.02	18.30	14.70	0.02	15.40	13.20	0.02	12.40	11.80	0.03	10.20	10.20	0.12
	600	72 (22)	35.20	17.10	0.00	32.60	15.90	0.00	29.60	14.60	0.02	26.30	13.20	0.02	22.00	11.50	0.03
		67 (19)	29.90	18.50	0.03	27.20	17.20	0.03	24.00	15.70	0.03	20.10	14.00	0.03	15.60	12.10	0.03
		62 (17)	25.00	19.80	0.04	22.00	18.30	0.04	18.70	16.60	0.04	15.30	14.90	0.05	12.80	12.80	0.16
	750	72 (22)	39.20	19.20	0.02	36.30	17.90	0.03	33.00	16.50	0.04	29.30	14.90	0.04	25.00	13.30	0.05
		67 (19)	33.30	21.10	0.05	30.40	19.70	0.05	27.00	18.10	0.05	22.80	16.30	0.05	17.80	14.30	0.06
		62 (17)	28.00	22.90	0.05	25.00	21.40	0.06	21.40	19.60	0.06	17.90	17.70	0.09	15.20	15.20	0.21
2414 2417	600	72 (22)	39.50	19.20	0.00	36.70	17.90	0.00	33.60	16.50	0.00	29.90	14.90	0.00	25.60	13.10	0.01
		67 (19)	33.50	20.70	0.01	30.70	19.20	0.01	27.40	17.70	0.01	23.30	15.80	0.01	18.50	13.80	0.02
		62 (17)	28.10	22.00	0.02	25.00	20.40	0.02	21.50	18.60	0.02	17.60	16.70	0.03	14.60	14.60	0.11
	800	72 (22)	45.50	22.30	0.00	42.50	20.90	0.01	38.90	19.40	0.02	34.70	17.70	0.02	30.00	15.80	0.03
		67 (19)	38.90	24.60	0.03	35.60	23.00	0.03	31.90	21.30	0.03	27.50	19.40	0.03	22.10	17.20	0.03
		62 (17)	32.70	26.70	0.03	29.40	25.10	0.03	25.60	23.20	0.04	21.40	21.10	0.05	18.30	18.30	0.16
	1000	72 (22)	49.90	24.70	0.03	46.70	23.40	0.04	42.90	21.80	0.04	38.30	20.00	0.04	33.10	18.00	0.05
		67 (19)	42.80	27.80	0.05	39.30	26.20	0.05	35.20	24.40	0.05	30.50	22.40	0.05	24.90	20.20	0.05
		62 (17)	36.20	30.80	0.05	32.70	29.10	0.06	28.80	27.20	0.06	24.90	24.90	0.09	21.60	21.60	0.21
3014 3017	750	72 (22)	49.30	23.90	0.00	45.70	22.20	0.00	41.50	20.20	0.00	36.60	18.10	0.01	30.60	15.60	0.01
		67 (19)	41.80	25.50	0.02	38.00	23.50	0.02	33.30	21.30	0.02	27.90	18.80	0.02	21.70	16.20	0.02
		62 (17)	34.70	26.70	0.02	30.40	24.50	0.02	25.70	22.10	0.02	20.70	19.70	0.03	17.00	17.00	0.12
	1000	72 (22)	57.80	28.10	0.00	53.60	26.20	0.01	48.70	24.00	0.02	43.20	21.70	0.03	36.70	19.10	0.03
		67 (19)	49.10	30.50	0.04	44.70	28.40	0.04	39.70	26.00	0.04	33.40	23.30	0.04	26.10	20.20	0.04
		62 (17)	41.10	32.60	0.04	36.50	30.30	0.04	31.10	27.70	0.05	25.50	24.90	0.06	21.50	21.50	0.17
	1250	72 (22)	64.10	31.40	0.03	59.60	29.40	0.04	54.20	27.10	0.05	48.10	24.60	0.05	41.20	21.90	0.06
		67 (19)	54.60	34.60	0.06	49.80	32.40	0.06	44.30	29.90	0.06	37.90	27.10	0.06	29.80	23.80	0.06
		62 (17)	45.90	37.70	0.06	41.10	35.30	0.06	35.50	32.60	0.07	29.60	29.60	0.09	25.40	25.40	0.21
3614 3617 3621	900	72 (22)	54.00	26.20	0.00	50.10	24.40	0.00	45.60	22.40	0.01	40.50	20.20	0.02	34.30	17.60	0.02
		67 (19)	45.80	28.20	0.03	41.70	26.20	0.03	37.00	23.90	0.03	31.20	21.30	0.03	24.50	18.50	0.03
		62 (17)	38.30	30.00	0.03	33.90	27.70	0.03	28.80	25.20	0.03	23.50	22.50	0.05	19.50	19.50	0.14
	1200	72 (22)	62.00	30.30	0.02	57.70	28.40	0.03	52.50	26.20	0.04	46.70	23.80	0.05	40.10	21.10	0.05
		67 (19)	52.80	33.30	0.06	48.20	31.10	0.06	42.90	28.70	0.06	36.70	26.00	0.06	29.00	22.80	0.06
		62 (17)	44.30	36.10	0.06	39.70	33.80	0.06	34.20	31.10	0.07	28.50	28.20	0.09	24.30	24.30	0.20
	1500	72 (22)	68.10	33.60	0.06	63.40	31.70	0.07	57.90	29.40	0.07	51.40	26.80	0.08	44.20	24.00	0.08
		67 (19)	58.20	37.60	0.08	53.20	35.40	0.08	47.40	32.80	0.09	40.70	30.00	0.09	32.70	26.70	0.09
		62 (17)	49.00	41.40	0.09	44.10	39.00	0.09	38.60	36.30	0.10	33.10	33.10	0.13	28.50	28.50	0.25
4221 4224	1050	72 (22)	65.80	31.90	0.00	60.70	29.50	0.00	54.90	26.90	0.01	48.30	24.00	0.02	41.10	21.00	0.03
		67 (19)	55.50	34.00	0.03	50.20	31.30	0.03	44.30	28.50	0.03	37.60	25.50	0.04	29.40	22.00	0.04
		62 (17)	46.10	35.80	0.04	40.70	32.90	0.04	34.70	29.90	0.04	28.00	26.70	0.05	23.10	23.10	0.14
	1400	72 (22)	76.30	37.30	0.00	70.60	34.60	0.03	64.00	31.70	0.04	56.30	28.50	0.05	47.70	25.00	0.06
		67 (19)	64.70	40.40	0.06	58.70	37.50	0.06	51.70	34.20	0.07	44.00	30.80	0.07	35.00	27.10	0.07
		62 (17)	53.90	43.20	0.07	47.70	40.10	0.07	41.10	36.90	0.07	34.20	33.40	0.09	28.90	28.90	0.19
	1750	72 (22)	84.60	41.60	0.05	78.50	38.90	0.07	71.30	35.80	0.07	62.80	32.40	0.08	53.10	28.50	0.09
		67 (19)	72.00	45.90	0.09	65.40	42.80	0.09	57.80	39.40	0.09	49.00	35.60	0.09	39.60	31.70	0.10
		62 (17)	60.20	49.80	0.10	53.50	46.50	0.10	46.40	43.00	0.10	39.40	39.40	0.12	34.00	34.00	0.24
4817 4821 4824	1200	72 (22)	69.10	33.50	0.00	64.20	31.30	0.00	58.60	28.70	0.01	52.00	25.90	0.02	44.70	22.90	0.03
		67 (19)	58.60	36.10	0.03	53.50	33.60	0.03	47.60	30.70	0.03	40.90	27.70	0.04	33.00	24.30	0.04
		62 (17)	49.00	38.40	0.04	43.60	35.60	0.04	37.60	32.60	0.04	30.90	29.30	0.05	25.60	25.60	0.13
	1600	72 (22)	79.70	39.00	0.01	74.40	36.60	0.03	68.10	33.90	0.04	60.70	30.80	0.05	52.10	27.40	0.05
		67 (19)	68.00	42.90	0.06	62.30	40.20	0.06	55.50	37.10	0.06	47.70	33.70	0.06	38.90	30.00	0.06
		62 (17)	57.10	46.40	0.06	51.00	43.40	0.06	44.30	40.20	0.07	37.40	36.70	0.08	32.00	32.00	0.18
	2000	72 (22)	87.60	43.30	0.05	81.90	40.90	0.06	75.20	38.10	0.07	67.20	34.90	0.07	57.80	31.20	0.08
		67 (19)	75.00	48.50	0.08	68.80	45.70	0.08	61.60	42.50	0.09	53.00	38.80	0.09	43.30	34.90	0.09
		62 (17)	63.20	53.40	0.09	56.80	50.30	0.09	49.70	46.80	0.10	42.80	42.80	0.13	37.40	37.40	0.24
6021 6024	1600	72 (22)	93.30	45.30	0.00	86.10	41.80	0.00	77.80	38.00	0.00	68.60	33.90	0.01	58.40	29.60	0.02
		67 (19)	78.70	47.90	0.02	71.20	44.00	0.03	62.90	40.00	0.03	53.20	35.60	0.03	41.70	30.60	0.03
		62 (17)	65.30	50.10	0.03	57.70	46.00	0.03	48.80	41.60	0.03	39.30	36.90	0.04	32.00	32.00	0.12
	2000	72 (22)	106.40	51.70	0.00	98.30	47.90	0.00	89.00	43.70	0.02	78.40	39.10	0.03	66.70	34.30	0.04
		67 (19)	90.00	55.40	0.04	81.50	51.20	0.05	71.90	46.60	0.05	61.20	41.80	0.05	48.40	36.40	0.05
		62 (17)	74.80	58.60	0.05	66.10	54.10	0.05	56.70	49.50	0.05	46.20	44.30	0.06	38.40	38.40	0.16
	2400	72 (22)	117.00	57.10	0.00	108.30	53.10	0.03	98.20	48.60	0.04	86.60	43.70	0.05	73.40	38.50	0.06
		67 (19)	99.20	61.90	0.06	90.00	57.40	0.06	79.50	52.50	0.07	67.60	47.30	0.07	54.20	41.70	0.07
		62 (17)	82.70	66.20	0.07	73.20	61.40	0.07	63.00	56.40	0.07	52.30	51.00	0.09	44.10	44.10	0.19

Legend:

CFM – Cubic Ft. per Minute EWB – Entering Wet Bulb LWB – Leaving Wet Bulb TC – Gross Cooling Capacity 1000 Btuh
 SHC – Gross Sensible Capacity 1000 Btuh BF – Bypass Factor MBH – 1000 Btuh

See notes on page 7.

NOTES:

- Contact manufacturer for cooling capacities at conditions other than shown in table.
- Formulas:

$$\text{Leaving db} = \text{entering db} - \frac{\text{sensible heat cap.}}{1.09 \times \text{CFM}}$$

$$\text{Leaving wb} = \text{wb corresponding to enthalpy of air leaving coil (h}_{LWB})$$

$$h_{LWB} = h_{EWB} - \frac{\text{total capacity (Btuh)}}{4.5 \times \text{CFM}}$$
 Where h_{EWB} = enthalpy of air entering coil
- SHC is based on 80°F (27°C) db temperature of air entering the evaporator coil.
 Below 80°F (27°C) db, subtract (Correction Factor x CFM) from SHC.
 Above 80°F (27°C) db, add (Correction Factor x CFM) to SHC.
- Direct interpolation is permissible. Do not extrapolate.
- Fan motor heat has not been deducted.
- All data points are based on 10°F (-12°C) superheat leaving coil and use of thermostatic expansion valve (TXV) device.
- All units have sweat suction-tube connection and a liquid-tube connection. For 1-1/8-in. system suction tube, 3/4 x 1-1/8-in. suction tube connection adapter is available as accessory.
- The CAPVP and CAPVU coils can be used in any properly designed system using Puron® refrigerant.
- The CARVP and CARVU coils can be used in any properly designed system using R-22 refrigerant.
- Before using maximum cfm shown in table, check coil static pressure drop to ensure system blower can provide necessary static pressure needed for coil and duct systems.
- Bypass Factor = 0 indicates no psychometric solution. Use bypass factor of next lower EWB for approximation.

BYPASS FACTOR	ENTERING AIR DRY BULB TEMPERATURE °F (°C)					
	79 (26)	78 (26)	77 (25)	76 (24)	75 (24)	Under 75 (24)
	81 (27)	82 (28)	83 (28)	84 (29)	84 (29)	Above 85 (29)
Correction Factor						
0.10	0.98	1.96	2.94	3.92	4.91	Use formula shown below
0.20	0.87	1.74	2.62	3.49	4.36	
0.30	0.76	1.53	2.29	3.05	3.82	

Interpolation is permissible.

$$\text{Correction Factor} = 1.09 \times (1 - \text{BF}) \times (\text{db} - 80)$$

ACCESSORIES

EMPTY COIL CASING ACCESSORY FOR UNCASSED A-COIL

ACCESSORY PART NUMBER	CA(PR)VU NOMINAL COIL SIZES	DIMENSIONS in. (mm.)		
		H	W	D
KCAKC2212ECC	1814, 2414, 3014, 3614	25-7/8 (657)	14-3/16 (360)	20-5/8 (524)
KCAKC2306ECC	2417, 3017, 3617, 4817	33-7/8 (860)	17-1/2 (445)	20-5/8 (524)
KCAKC2404ECC	3621, 4221, 4821, 6021	33-7/8 (860)	21 (533)	20-5/8 (524)
KCAKC2504ECC	4224, 4824, 6024	33-7/8 (860)	24-1/2 (622)	20-5/8 (524)

CAPVP / CARVP / CAPVU / CARVU

COIL STATIC PRESSURE DROP (in. w.c.) PURON® and R-22 REFRIGERANTS

UNIT SIZE	STANDARD CFM																		
	400	500	600	700	800	900	1000	1100	1200	1300	1400	1500	1600	1700	1800	1900	2000	2100	2200
1814	Dry																		
	0.079	0.111	0.145	0.186	0.232														
2414	Wet																		
	0.083	0.116	0.151	0.196	0.243														
2417	Dry																		
	0.065	0.091	0.120	0.154	0.194	0.237	0.284												
3014	Wet																		
	0.066	0.094	0.124	0.161	0.203	0.250	0.301												
3017	Dry																		
	0.056	0.076	0.097	0.123	0.151	0.182	0.215												
3614	Wet																		
	0.060	0.082	0.105	0.132	0.163	0.195	0.231												
3617	Dry																		
	0.054	0.077	0.102	0.133	0.167	0.206	0.248	0.296	0.347										
3621	Wet																		
	0.059	0.084	0.111	0.142	0.181	0.223	0.269	0.319	0.375										
4221	Dry																		
	0.043	0.059	0.077	0.096	0.119	0.144	0.171	0.201	0.232										
4224	Wet																		
	0.046	0.063	0.083	0.105	0.130	0.157	0.186	0.219	0.252										
4817	Dry																		
	0.047	0.069	0.093	0.119	0.151	0.187	0.227	0.270	0.317	0.362	0.418								
4821	Wet																		
	0.053	0.076	0.101	0.129	0.162	0.200	0.241	0.286	0.335	0.388	0.447								
6021	Dry																		
	0.023	0.036	0.052	0.069	0.089	0.110	0.135	0.160	0.189	0.219	0.251								
6024	Wet																		
	0.042	0.058	0.076	0.095	0.117	0.142	0.169	0.198	0.231	0.265	0.299								
6022	Dry																		
	0.026	0.037	0.050	0.062	0.077	0.092	0.109	0.128	0.148	0.170	0.193								
6023	Wet																		
	0.029	0.040	0.053	0.065	0.082	0.099	0.119	0.138	0.160	0.185	0.209								
6024	Dry																		
			0.044	0.056	0.068	0.082	0.099	0.119	0.138	0.161	0.183	0.205	0.233						
6025	Wet																		
			0.058	0.073	0.089	0.106	0.125	0.143	0.165	0.189	0.213	0.239	0.268						
6026	Dry																		
			0.039	0.049	0.060	0.072	0.085	0.099	0.114	0.130	0.146	0.164	0.182						
6027	Wet																		
			0.054	0.066	0.079	0.092	0.103	0.125	0.142	0.161	0.182	0.202	0.222						
6028	Dry																		
			0.065	0.082	0.105	0.128	0.156	0.185	0.216	0.253	0.290	0.331	0.372	0.417	0.464				
6029	Wet																		
			0.066	0.084	0.106	0.130	0.159	0.188	0.222	0.256	0.296	0.337	0.379	0.425	0.476				
6030	Dry																		
			0.055	0.072	0.089	0.107	0.128	0.150	0.175	0.199	0.228	0.257	0.288	0.321	0.356				
6031	Wet																		
			0.058	0.075	0.094	0.115	0.136	0.161	0.188	0.217	0.247	0.279	0.313	0.347	0.386				
6032	Dry																		
			0.044	0.056	0.069	0.084	0.100	0.118	0.137	0.159	0.180	0.198	0.222	0.247	0.275				
6033	Wet																		
			0.052	0.065	0.080	0.095	0.112	0.131	0.150	0.171	0.193	0.214	0.241	0.270	0.296				
6034	Dry																		
					0.075	0.093	0.112	0.133	0.157	0.181	0.206	0.234	0.264	0.294	0.326	0.360	0.396	0.432	0.478
6035	Wet																		
					0.077	0.095	0.115	0.137	0.159	0.184	0.209	0.238	0.268	0.300	0.334	0.370	0.407	0.444	0.488
6036	Dry																		
					0.073	0.083	0.095	0.107	0.120	0.136	0.152	0.169	0.184	0.203	0.217	0.238	0.260	0.283	0.307
6037	Wet																		
					0.076	0.086	0.098	0.110	0.124	0.140	0.157	0.175	0.193	0.215	0.238	0.261	0.286	0.314	0.342

CAPVP / CARVP / CAPVU / CARVU