

**25HBB3  
Base 13 Heat Pump  
with Puron® Refrigerant  
1 – 1/2 to 5 Nominal Tons (Sizes 18 to 60)**



Turn to the Experts.™

## Product Data



Carrier heat pumps with Puron® refrigerant provide a collection of features unmatched by any other family of equipment. The 25HBB has been designed utilizing Carrier's Puron refrigerant. The environmentally sound refrigerant allows consumers to make a responsible decision in the protection of the earth's ozone layer.

As an Energy Star® Partner, Carrier Corporation has determined that this product meets the Energy Star® guidelines for energy efficiency. Refer to the combination ratings in the Product Data for system combinations that meet Energy Star® guidelines.

**NOTE: Ratings contained in this document are subject to change at any time. Always refer to the AHRI directory ([www.ahridirectory.org](http://www.ahridirectory.org)) for the most up-to-date ratings information.**

### INDUSTRY LEADING FEATURES / BENEFITS

#### Efficiency

- 13 SEER/ 10.1 - 10.8 EER/ 7.7 - 8.3 HSPF (nominal)
- Microtube Technology™ refrigeration system
- Indoor air quality accessories available

#### Sound

- Sound level as low as 72 dBA
- Sound levels as low as 70 dBA with accessory sound blanket

#### Comfort

- System supports Edge® Thermidistat™ or standard thermostat controls

#### Reliability

- Puron® refrigerant - environmentally sound, won't deplete the ozone layer and low lifetime service cost.
- Scroll compressor
- Internal pressure relief valve
- Internal thermal overload
- High pressure switch
- Loss of charge switch
- Filter drier
- Balanced refrigeration system for maximum reliability

#### Durability

WeatherArmor™ protection package:

- Solid, durable sheet metal construction
- Dense wire coil guard available
- Baked-on powder paint

#### Applications

- Long-line - up to 250 feet (76.20 m) total equivalent length, up to 200 feet (60.96 m) condenser above evaporator, or up to 80 ft. (24.38 m) evaporator above condenser (See Longline Guide for more information.)
- Low ambient (down to -20°F/-28.9°C) with accessory kit

## MODEL NUMBER NOMENCLATURE

1	2	3	4	5	6	7	8	9	10	11	12	13
N	N	A	A	A/N	N	N	N	A/N	A/N	A/N	N	N
2	5	H	B	B	3	3	6	A	0	0	3	0
Product Series	Product Family	Tier	Major Series	SEER	Cooling Capacity	Grille Variations	Open	Open	Voltage	Minor Series		
25 = HP	H = RES HP	B=Base	B = Puron	3=13 SEER		A = Dense W = Standard	0=Not Defined	0=Not Defined	3=208/230-1 5=208/230-3 6=460/3	0, 1, 2...		



This product has been designed and manufactured to meet Energy Star® criteria for energy efficiency when matched with appropriate coil components. However, proper refrigerant charge and proper air flow are critical to achieve rated capacity and efficiency. Installation of this product should follow all manufacturing refrigerant charging and air flow instructions. **Failure to confirm proper charge and air flow may reduce energy efficiency and shorten equipment life.**

25HBB3

## STANDARD FEATURES

Feature	18	24	30	36	42	48	60
Puron Refrigerant	X	X	X	X	X	X	X
Maximum SEER Rating	14	14	14	14.5	14	14	13.5
Scroll Compressor	X	X	X	X	X	X	X
Field Installed Filter Drier	X	X	X	X	X	X	X
Front Seating Service Valves	X	X	X	X	X	X	X
Internal Pressure Relief Valve	X	X	X	X	X	X	X
Internal Thermal Overload	X	X	X	X	X	X	X
Long Line capability	X	X	X	X	X	X	X
Low Ambient capability with Kit	X	X	X	X	X	X	X
Suction Line Accumulator	X	X	X	X	X	X	X
High Pressure Switch	X	X	X	X	X	X	X
Loss of Charge Switch	X	X	X	X	X	X	X

X = Standard

## PHYSICAL DATA

UNIT SIZE SERIES	18-30	24-30	30-30, 50	36-30, 50, 60	42-30, 50, 60	48-30, 50, 60	60-30, 51, 61
Operating Weight lb (kg)	148 (67.13)	162 (73.48)	186 (84.37)	172 (78.02)	246 (111.58)	240 (108.86)	250 (113.40)
Shipping Weight lb (kg)	174 (78.93)	189 (85.73)	215 (97.52)	207 (93.89)	278 (126.10)	274 (124.28)	282 (127.91)
Compressor Type	Scroll						
REFRIGERANT	Puron® (R-410A)						
Control	TXV (Puron Hard Shutoff)						
Charge lb (kg)	4.89 (2.22)	5.50 (2.49)	7.45 (3.38)	6.49 (2.94)	8.40 (3.81)	11.40 (5.17)	11.00 (4.99)
Outdoor Heating Piston #	42	46	55	57	61	63	76
COND FAN	Propeller Type, Direct Drive						
Air Discharge	Vertical						
Air Qty (CFM)	2196	2614	2614	3472	3810	4046	4046
Motor HP	1/10	1/10	1/10	1/8	1/5	1/4	1/4
Motor RPM	1100	1100	1100	800	800	800	800
COND COIL							
Face Area (Sq ft)	14.77	15.09	21.56	17.60	25.15	17.60	17.60
Fins per In.	25	20	20	20	20	20	20
Rows	1	1	1	1	1	2	2
Circuits	4	5	5	6	6	8	8
VALVE CONNECT. (In.) ID							
Vapor	5/8	5/8	3/4	3/4	7/8	7/8	7/8
Liquid	3/8						
REFRIGERANT TUBES* (In.) OD							
Rated Vapor*	5/8	5/8	3/4	3/4	7/8	7/8	1-1/8
Liquid	3/8"						

\*Units are rated with 25 ft (7.6 m) of lineset length. See Vapor Line Sizing and Cooling Capacity Loss table when using other sizes and lengths of lineset.

Note: See unit Installation Instruction for proper installation.

## VAPOR LINE SIZING AND COOLING CAPACITY LOSS

Acceptable vapor line diameters provide adequate oil return to the compressor while avoiding excessive capacity loss. The suction line diameters shown in the chart below are acceptable for HP systems with Puron refrigerant:

Vapor Line Sizing and Cooling Capacity Losses - Puron® Refrigerant 1- Stage Heat Pump Applications

Unit Nominal Size (Btuh)	Maximum Liquid Line Diameters (In. OD)	Vapor Line Diameters (In.) OD	Cooling Capacity Loss (%) Total Equivalent Line Length ft. (m)									
			Standard Application		Long Line Application Requires Accessories							
			26-50 (7.9-15.2)	51-80 (15.5-24.4)	81-100 (24.7-30.5)	101-125 (30.8-38.1)	126-150 (38.4-45.7)	151-175 (46.0-50.3)	176-200 (53.6-60.0)	201-225 (61.3-68.6)	226-250 (68.9-76.2)	
18,000 1-Stage HP with Puron	3/8	1/2	1	2	3	4	6	7	8	9	10	
		5/8	0	0	1	1	1	2	2	3	3	
24,000 1-Stage HP with Puron	3/8	5/8	0	1	1	2	3	3	4	4	5	
		3/4	0	0	0	0	1	1	1	1	1	
30,000 1-Stage HP with Puron	3/8	5/8	1	2	3	3	4	5	6	7	8	
		3/4	0	0	1	1	1	2	2	2	3	
		7/8	0	0	0	0	1	1	1	1	1	
36,000 1-Stage HP with Puron	3/8	5/8	1	2	4	5	6	7	9	10	11	
		3/4	0	0	1	1	2	2	3	3	4	
		7/8	0	0	0	0	1	1	1	1	2	
42,000 1-Stage HP with Puron	3/8	3/4	0	1	2	2	3	4	4	5	6	
		7/8	0	0	1	1	1	2	2	2	3	
48,000 1-Stage HP with Puron	3/8	3/4	0	1	2	3	4	5	5	6	7	
		7/8	0	0	1	1	2	2	2	3	3	
60,000 1-Stage HP with Puron	3/8	3/4	1	2	4	5	6	7	9	10	11	
		7/8	0	1	2	2	3	4	4	5	5	
		1-1/8	0	0	0	1	1	1	1	1	1	

Standard Length = 80 ft. (24.4 m) or less total equivalent length

Applications in this area are long line. Accessories are required as shown recommended on Long Line Application Guidelines

Applications in this area may have height restrictions that limit allowable total equivalent length, when outdoor unit is below indoor unit. See Long Line Application Guidelines

# REFRIGERANT PIPING LENGTH LIMITATIONS

## Maximum Line Lengths:

The maximum allowable total equivalent length for heat pumps varies depending on the vertical separation. See the tables below for allowable lengths depending on whether the outdoor unit is on the same level, above or below the indoor unit.

### Maximum Line Lengths for Heat Pump Applications

	MAXIMUM ACTUAL LENGTH ft (m)	MAXIMUM EQUIVALENT LENGTH† ft (m)	MAXIMUM VERTICAL SEPARATION ft (m)
Units on equal level	200 (61)	250 (76.2)	N/A
Outdoor unit ABOVE indoor unit	200 (61)	250 (76.2)	200 (61)
Outdoor unit BELOW indoor unit	See Table 'Maximum Total Equivalent Length: Outdoor Unit BELOW Indoor Unit'		

† Total equivalent length accounts for losses due to elbows or fitting. See the Long Line Guideline for details.

### Maximum Total Equivalent Length† - Outdoor Unit BELOW Indoor Unit

Size	Liquid Line Diameter w/ TXV	HP with Puron® Refrigerant – Maximum Total Equivalent Length† Vertical Separation ft (m) Outdoor unit BELOW indoor unit;						
		0–20 (0 – 6.1)	21–30 (6.4 – 9.1)	31–40 (9.4 – 12.2)	41–50 (12.5 – 15.2)	51–60 (15.5 – 18.3)	61–70 (18.6 – 21.3)	71–80 (21.6 – 24.4)
18000 HP with Puron	3/8	250*	250*	250*	250*	250*	250*	250*
24000 HP with Puron	3/8	250*	250*	250*	250*	250*	250*	250*
30000 HP with Puron	3/8	250*	250*	250*	250*	250*	250*	250*
36000 HP with Puron	3/8	250*	250*	250*	250*	250*	250*	250*
42000 HP with Puron	3/8	250*	250*	250*	250*	250*	250*	150
48000 HP with Puron	3/8	250*	250*	250*	250*	230	160	--
60000 HP with Puron	3/8	250*	225*	190	150	110	--	--

\* Maximum actual length not to exceed 200 ft (61 m)

† Total equivalent length accounts for losses due to elbows or fitting. See the Long Line Guideline for details.

-- = outside acceptable range

## LONG LINE APPLICATIONS

An application is considered Long Line when the refrigerant level in the system requires the use of accessories to maintain acceptable refrigerant management for systems reliability. Defining a system as long line depends on the liquid line diameter, actual length of the tubing, and vertical separation between the indoor and outdoor units.

For Heat Pump systems, the chart below shows when an application is considered Long Line. Beyond these lengths, long line accessories are required:

### HP WITH PURON® REFRIGERANT LONG LINE DESCRIPTION ft (m)

Beyond these lengths, long line accessories are required

Liquid Line Size	Units On Same Level	Outdoor Below Indoor	Outdoor Above Indoor
3/8	80 (24.4)	20 (6.1) vertical or 80 (24.4) total	80 (24.4)

Note: See Long Line Guideline for details

## ACCESSORIES

ORDER NUMBER	DESCRIPTION	18-30	24-30	30-30, 50	36-30, 50	36-60	42-30, 50	42-60	48-30, 50	48-60	60-30, 51, 61	60-30, 51, 61
HC34GE240	BALL BEARING MOTOR	X	X	X								
HC36GE232	BALL BEARING MOTOR				X							
HC36GE462	BALL BEARING MOTOR					X		X				
HC38GE228	BALL BEARING MOTOR						X					
HC40GE228	BALL BEARING MOTOR								X		X	
HC40GE467	BALL BEARING MOTOR									X		X
KAACH1701AAA	CRANKCASE HTR	X	X	X	X	X						
KAACH1601AAA	CRANKCASE HTR						X	X				
STANDARD	CRANKCASE HTR								S	S	S	S
KSACY0101AAA	CYCLE PROTECTOR	X	X	X	X	X	X	X	X	X	X	X
KAAFT0101AAA	FREEZE THERMOSTAT	X	X	X	X	X	X	X	X	X	X	X
KSAS1701AAA	HARD START	X	X	X	X	X	X	X	X	X	X	X
KHAIR0101AAA	ISOLATION RELAY	X	X	X	X	X	X	X	X	X	X	X
KSALA0301410	LOW AMBIENT PSW	X	X	X	X	X	X	X	X	X	X	X
KSALA0601AAA†	MOTORMASTER 230V	X	X	X	X	X	X	X	X	X	X	X
KHAOT0201SEC	OUTDOOR THERMOSTAT	X	X	X	X	X	X	X	X	X	X	X
KHAOT0301FST	OUTDOOR THERMOSTAT	X	X	X	X	X	X	X	X	X	X	X
KHALS0401LLS	SOLENOID VALVE	X	X	X	X	X	X	X	X	X	X	X
KHASS0606MPK*	SNOW STAND RACK		X	X	X	X	X	X	X	X	X	X
KSASH0601COP	SOUND BLKT	X	X	X	X	X	X	X	X	X		
KSASH2101COP	SOUND BLKT										X	X
KACS0201PTC	START ASSIST PTC	X	X	X	X	X	X	X	X	X	X	X
KSASF0101AAA	SUPPORT FEET	X	X	X	X	X	X	X	X	X	X	X
KAAD0101TDR	TIME DELAY RELAY	X	X	X	X	X	X	X	X	X	X	X
KSATX0201PUR	TXV PURON HSO	X	X	X								
KSATX0301PUR	TXV PURON HSO				X	X	X	X				
KSATX0401PUR	TXV PURON HSO								X	X		
KSATX0501PUR	TXV PURON HSO										X	X

x = Accessory S = Standard

\* Available through RCD

† Required accessories include ball bearing fan motor, compressor start assist (CAP / Relay), crankcase heater, evaporator freeze stat, isolation relay, hard shut-off TXV or liquid line solenoid valve.

25HBB3

## ACCESSORY THERMOSTATS

THERMOSTAT / SUBBASE PKG.	DESCRIPTION
TP-PRH01-A	Programmable Thermidistat
TP-NRH01-A	Non-programmable Thermidistat
TP-PHP01	Performance Series Programmable HP Stat
TP-NHP01	Performance Series Non-programmable HP Stat
TC-PHP01	Comfort Series Programmable HP Stat
TC-NHP01	Comfort Series Non-programmable HP Stat
TB-PHP01	Base Series Programmable HP Stat
TB-NHP01	Base Series Non-programmable HP Stat
TSTATXXSEN01-B*	Outdoor Air Temperature Sensor
TSTATXXNBP01	Backplate for Non-Programmable Thermostat
TSTATXXPBP01	Backplate for Programmable Thermostat and Thermidistat™ Control
TSTATXXSBP01	Backplate for Standard Programmable Thermostat
TSTATXXBBP01	Backplate for Builder's Thermostat
TSTATXXCNV10†	Thermostat Conversion Kit (4 to 5 Wire) — 10 Pack

\* Outdoor temperature sensor is an accessory for all Carrier electronic thermostats, except the non-programmable air conditioner version and builders thermostats. It allows the temperature at a remote location (outdoors) to be displayed on the thermostat. The outdoor air temperature sensor must be used with the HybridHeat™ (dual fuel) thermostat.

† Thermostat conversion kit is a 24-vac accessory that can turn a 4-wire thermostat application into a 5-wire application. This kit can also be used to replace a broken thermostat wire, or add an extra wire when needed.

The outdoor air temperature sensor is included with the Thermidistat Control and HybridHeat™ (dual fuel) thermostat.

# ACCESSORY USAGE GUIDELINE

Accessory	REQUIRED FOR LOW – AMBIENT COOLING APPLICATIONS (Below 55°F / 12.8°C)	REQUIRED FOR LONG LINE APPLICATIONS*	REQUIRED FOR SEA COAST APPLICATIONS (Within 2 miles / 3.22 km)
Accumulator	Standard	Standard	Standard
Ball Bearing Fan Motor	Yes†	No	No
Compressor Start Assist Capacitor and Relay	Yes	Yes	No
Crankcase Heater	Yes	Yes	No
Evaporator Freeze Thermostat	Yes	No	No
Hard Shutoff TXV	Yes	Yes	Yes
Isolation Relay	Yes	No	No
Liquid Line Solenoid Valve	No	See Long-Line Application Guideline	No
Motor Master® Control or Low Ambient Switch	Yes	No	No
Support Feet	Recommended	No	Recommended

\* For tubing line sets between 80 and 200 ft. (24.38 and 60.96 m) and/or 20 ft. (6.09 m) vertical differential, refer to Residential Split-System Longline Application Guideline.

† Additional requirement for Low-Ambient Controller (full modulation feature) MotorMaster® Control.

## Accessory Description and Usage (Listed Alphabetically)

### 1. Ball-Bearing Fan Motor

A fan motor with ball bearings which permits speed reduction while maintaining bearing lubrication.

Usage Guideline:

Required on all units when using MotorMaster®

### 2. Compressor Start Assist - Capacitor and Relay

Start capacitor and relay gives a "hard" boost to compressor motor at each start up.

Usage Guideline:

Required for reciprocating compressors in the following applications:

- Long line
- Low ambient cooling
- Hard shut off expansion valve on indoor coil
- Liquid line solenoid on indoor coil

Required for single-phase scroll compressors in the following applications:

- Long line
- Low ambient cooling

Suggested for all compressors in areas with a history of low voltage problems.

### 3. Compressor Start Assist — PTC Type

Solid state electrical device which gives a "soft" boost to the compressor at each start-up.

Usage Guideline:

Suggested in installations with marginal power supply.

### 4. Crankcase Heater

An electric resistance heater which mounts to the base of the compressor to keep the lubricant warm during off cycles. Improves compressor lubrication on restart and minimizes the chance of liquid slugging.

Usage Guideline:

- Required in low ambient cooling applications.
- Required in long line applications.
- Suggested in all commercial applications.

### 5. Evaporator Freeze Thermostat

An SPST temperature-actuated switch that stops unit operation when evaporator reaches freeze-up conditions.

Usage Guideline:

Required when low ambient kit has been added.

### 6. Isolation Relay

An SPDT relay which switches the low-ambient controller out of the outdoor fan motor circuit when the heat pump switches to heating mode.

Usage Guideline:

Required in all heat pumps where low ambient kit has been added.

### 7. Liquid-Line Solenoid Valve (LLS)

An electrically operated shutoff valve which stops and starts refrigerant liquid flow in response to compressor operation. It is to be installed at the outdoor unit to control refrigerant off cycle migration in the heating mode.

Usage Guideline:

An LLS is required in all long line heat pump applications to control refrigerant off cycle migration in the heating mode. See Long Line Guideline.

### 8. Low-Ambient Pressure Switch Kit

A long life pressure switch which is mounted to outdoor unit service valve. It is designed to cycle the outdoor fan motor in order to maintain head pressure within normal operating limits. The control will maintain working head pressure at low-ambient temperatures down to 0°F (-18°C) when properly installed.

Usage Guideline:

A Low-Ambient Pressure Switch or MotorMaster® Low-Ambient Controller must be used when cooling operation is used at outdoor temperatures below 55°F (12.8°C).

### 9. MotorMaster® Low-Ambient Controller

A fan-speed control device activated by a temperature sensor, designed to control condenser fan motor speed in response to the saturated, condensing temperature during operation in cooling mode only. For outdoor temperatures down to -20°F (-28.9°C), it maintains condensing temperature at 100°F ±10°F (37.8°C ± 6.5°C).

Usage Guideline:

A MotorMaster® Low Ambient Controller or Low-Ambient Pressure Switch must be used when cooling operation is used at outdoor temperatures below 55°F (12.8°C).

Suggested for all commercial applications.

## Accessory Description and Usage (Listed Alphabetically) - CONTINUED

### 10. Outdoor Air Temperature Sensor

Designed for use with Carrier Thermostats listed in this publication. This device enables the thermostat to display the outdoor temperature. This device also is required to enable special thermostat features such as auxiliary heat lock out.

Usage Guideline:

Suggested for all Carrier thermostats listed in this publication.

### 11. Outdoor Thermostat

An SPDT temperature-actuated switch which turns on supplemental electric heaters when outdoor air temperature drops below a user-selected set point.

Usage Guideline:

Electric supplemental heat applications in non-variable speed indoor units when electric heat staging is desired.

### 12. Secondary Outdoor Thermostat

An SPDT temperature-actuated switch which turns on third-stage of supplemental electric heaters when outdoor air temperature drops below the second-stage set point.

Usage Guideline:

Outdoor thermostat applications where electric heater is capable of 3-stage operation.

### 13. Snow Stand Rack

Coated wire rack which supports unit 18 in. (457.2 mm) above mounting pad to allow for drainage from unit base.

Usage Guideline:

Suggested in the following applications:

Heat pump installations in heavy snowfall areas.

Heat pump installations in snow drift locations.

Heat pump installations in areas of prolonged subfreezing temperatures.

All commercial installations.

### 14. Sound Hood

Wraparound sound reducing cover for the compressor. Reduces the sound level by about 2 dBA.

Usage Guideline:

Suggested when unit is installed closer than 15 ft. (4.577 m) to quiet areas, bedrooms, etc.

Suggested when unit is installed between two houses less than 10 ft. (3.05 m) apart.

### 15. Thermostatic Expansion Valve (TXV) Bi-Flow

A modulating flow-control valve which meters refrigerant liquid flow rate into the evaporator in response to the superheat of the refrigerant gas leaving the evaporator.

Usage Guideline:

Accessory required to meet ARI rating and system reliability, where indoor not equipped.

Required in all heat pump applications designed with Puron refrigerant.

### 16. Time-Delay Relay

An SPST delay relay which briefly continues operation of indoor blower motor to provide additional cooling after the compressor cycles off.

**Note:** Most indoor unit controls include this feature. For those that do not, use the guideline below.

Usage Guideline:

Accessory required to meet ARI rating, where indoor not equipped.

# ELECTRICAL DATA

25HBB3

UNIT SIZE	V/PH	OPER VOLTS*		COMPR		FAN	MCA	MIN WIRE SIZE†	MIN WIRE SIZE†	MAX LENGTH ft (m)‡	MAX LENGTH ft (m)‡	MAX FUSE** or CKT BRK AMPS
		MAX	MIN	LRA	RLA	FLA		60° C	75° C	60° C	75° C	
18-30	208/230/1	253	197	48.0	9.0	0.77	12.0	14	14	66 (20.1)	62 (18.9)	20
24-30				58.3	12.8	0.75	16.8	14	14	47 (14.3)	45 (13.7)	25
30-30				77.0	16.0	0.8	20.8	12	12	58 (17.7)	56 (17.1)	30
36-30				79.0	16.7	0.9	21.7	12	12	58 (17.7)	55 (16.8)	35
42-30				109.0	19.9	1.2	26.0	10	10	77 (23.5)	73 (22.3)	40
48-30				117.0	21.8	1.2	28.4	8	8	109 (33.2)	104 (31.7)	50
60-30	208/230/3	253	197	134.0	26.3	1.2	34.1	8	8	91 (27.7)	87 (26.5)	50
30-50				71.0	10.0	0.8	13.3	14	14	68 (20.7)	65 (19.8)	20
36-50				88.0	11.7	0.9	15.5	14	14	59 (18.0)	56 (17.1)	25
42-50				88.0	13.5	1.2	18.1	14	14	50 (15.2)	48 (14.6)	30
48-50				83.1	13.9	1.2	18.6	14	14	49 (14.9)	46 (14.0)	30
60-51				110.0	15.9	1.2	21.1	12	12	68 (20.7)	65 (19.8)	30
36-60	460/3	506	414	38.0	5.8	0.7	8.0	14	14	227 (69.2)	216 (65.8)	15
42-60				46.0	7.1	0.5	9.4	14	14	193 (58.8)	184 (56.1)	15
48-60				41.0	6.2	0.6	8.4	14	14	216 (65.8)	206 (62.8)	15
60-61				52.0	7.8	0.6	10.4	14	14	175 (53.3)	166 (50.6)	15

\* Permissible limits of the voltage range at which the unit will operate satisfactorily  
 † If wire is applied at ambient greater than 30°C, consult table 310-16 of the NEC (NFPA 70). The ampacity of non-metallic-sheathed cable (NM), trade name ROMEX, shall be that of 60°C conditions, per the NEC (NFPA 70) Article 336-26. If other than uncoated (no-plated), 60 or 75°C insulation, copper wire (solid wire for 10 AWG or smaller, stranded wire for larger than 10 AWG) is used, consult applicable tables of the NEC (NFPA 70).  
 ‡ Length shown is as measured 1 way along wire path between unit and service panel for voltage drop not to exceed 2%.  
 \*\* Time-Delay fuse.  
**FLA** - Full Load Amps  
**LRA** - Locked Rotor Amps  
**MCA** - Minimum Circuit Amps  
**RLA** - Rated Load Amps  
**NOTE:** Control circuit is 24-V on all units and requires external power source. Copper wire must be used from service disconnect to unit. All motors/compressors contain internal overload protection. Complies with 2007 requirements of ASHRAE Standards 90.1

## A-WEIGHTED SOUND POWER

UNIT SIZE	STANDARD RATING (dBA)	TYPICAL OCTAVE BAND SPECTRUM (dBA, without tone adjustment)						
		125	250	500	1000	2000	4000	8000
18-30	74	52.0	63.5	68.0	70.5	66.5	62.0	57.5
24-30	75	54.5	64.0	69.0	69.5	67.5	64.0	58.0
30-30, 50	74	52.0	62.5	66.5	68.5	65.0	63.5	59.0
36-30, 50, 60	72	55.0	62.0	63.5	66.0	64.0	61.5	54.0
42-30, 50, 60	77	55.5	60.0	63.5	71.5	65.0	62.5	59.0
48-30, 50, 60	77	58.0	65.5	68.5	72.0	66.5	60.5	53.0
60-30, 51, 61	77	55.0	63.0	67.5	71.5	68.0	64.0	60.5

NOTE: Tested in accordance with ARI Standard 270-08 (not listed in ARI).

## A-WEIGHTED SOUND POWER WITH SOUND HOOD

UNIT SIZE	STANDARD RATING (dBA)	TYPICAL OCTAVE BAND SPECTRUM (dBA, without tone adjustment)						
		125	250	500	1000	2000	4000	8000
18-30	73	52.5	63.0	67.5	69.0	66.0	62.0	55.5
24-30	74	54.0	63.5	69.0	69.0	67.5	63.5	57.5
30-30, 50	74	51.5	62.0	66.5	67.5	64.5	62.0	57.5
36-30, 50, 60	70	54.5	62.0	63.5	64.5	63.0	60.0	51.5
42-30, 50, 60	75	55.0	60.5	63.5	69.0	64.5	61.5	56.0
48-30, 50, 60	74	58.0	64.5	69.0	68.5	66.0	60.0	53.0
60-30, 51, 61	74	55.0	63.5	67.0	69.0	66.5	62.0	57.0

NOTE: Tested in accordance with ARI Standard 270-08 (not listed in ARI).

## CHARGING SUBCOOLING (TXV-TYPE EXPANSION DEVICE)

UNIT SIZE-SERIES	REQUIRED SUBCOOLING ° F (° C)
18-30	10 (5.6)
24-30	12 (6.7)
30-30, 50	12 (6.7)
36-30, 50, 60	9 (5.0)
42-30, 50, 60	11 (6.1)
48-30, 50, 60	11 (6.1)
60-30, 51, 61	12 (6.7)

# DIMENSIONS - ENGLISH

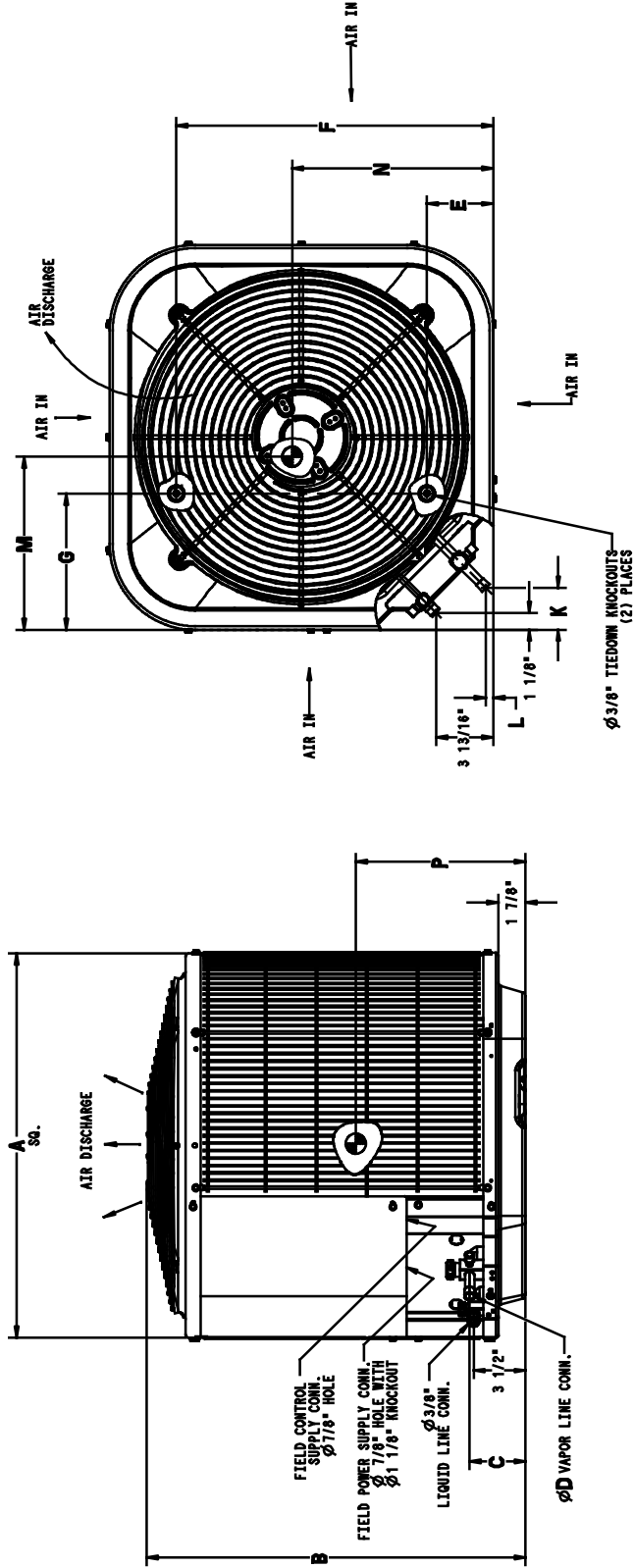
UNIT	SERIES	ELECTRICAL CHARACTERISTICS		A	B	C	D	E	F	G	K	L	M	N	P	OPERATING WEIGHT (lbs)	SHIPPING WEIGHT (lbs)	SHIPPING DIMENSIONS (L x W x H)
25HBB316	0	X	0	0	25 3/4"	3 3/4"	5/8"	4 7/16"	21 1/4"	9 1/8"	2 13/16"	1/2"	13 1/2"	14 1/2"	14"	148	174	28 7/8" x 30 1/16" x 39 3/8"
25HBB324	0	X	0	0	31 3/16"	3 3/4"	5/8"	6 9/16"	24 11/16"	9 1/8"	2 13/16"	1/2"	15 5/8"	16 3/4"	14 1/2"	162	189	32 3/8" x 35 1/2" x 32 9/16"
25HBB330	0	X	0	0	31 3/16"	3 3/4"	3/4"	6 9/16"	24 11/16"	9 1/8"	2 13/16"	1/2"	16 1/2"	15 1/2"	17"	186	215	32 3/8" x 35 1/2" x 42 3/4"
25HBB336	0	X	0	X	35"	3 3/4"	3/4"	6 9/16"	28 7/16"	9 1/8"	2 13/16"	1/2"	15 1/2"	15 3/4"	12 1/2"	172	207	36 1/8" x 39 5/16" x 32 9/16"
25HBB342	0	X	0	X	35"	3 7/8"	7/8"	6 9/16"	28 7/16"	9 1/8"	2 15/16"	5/8"	17 1/4"	15 3/4"	246	278	36 1/8" x 39 5/16" x 42 3/4"	
25HBB348	0	X	0	X	35"	3 7/8"	7/8"	6 9/16"	28 7/16"	9 1/8"	2 15/16"	5/8"	17"	16"	240	273	36 1/8" x 39 5/16" x 32 9/16"	
25HBB340	0	X	0	0	35"	3 7/8"	7/8"	6 9/16"	28 7/16"	9 1/8"	2 13/16"	5/8"	17"	16"	250	282	36 1/8" x 39 5/16" x 32 9/16"	
25HBB340	1	X	0	X	35"	3 7/8"	7/8"	6 9/16"	28 7/16"	9 1/8"	2 15/16"	5/8"	17"	16"	250	282	36 1/8" x 39 5/16" x 32 9/16"	

**NOTES:**

1. ALLOW 30" CLEARANCE TO SERVICE SIDE OF UNIT, 48" ABOVE UNIT, 6" ON ONE SIDE, 12" ON REMAINING SIDE, AND 24" BETWEEN UNITS FOR PROPER AIRFLOW.
2. MINIMUM OUTDOOR OPERATING AMBIENT IN COOLING MODE IS 35°F, MAX. 125°F.
3. SERIES DESIGNATION IS THE 13TH POSITION OF THE UNIT MODEL NUMBER.
4. CENTER OF GRAVITY
5. ALL DIMENSIONS ARE IN "INCHES" UNLESS NOTED.

X = YES  
0 = NO

460-3-60
208/230-3-60
230-160
208-230-160




UNIT SIZE	MINIMUM MOUNTING PAD DIMENSIONS
18	26" X 26"
24,30,36	31 1/2" X 31 1/2"
36,42,48,60	35" X 35"

25HBB3

# 25HBB3

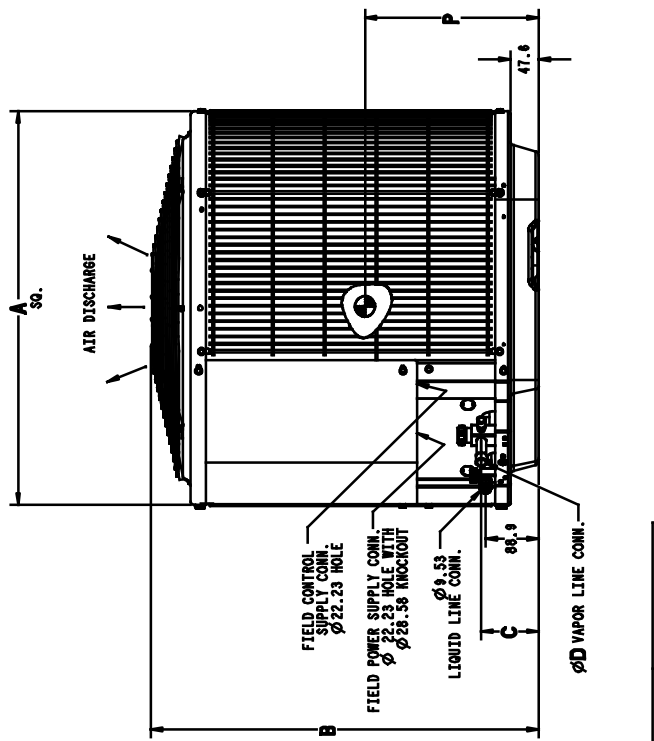
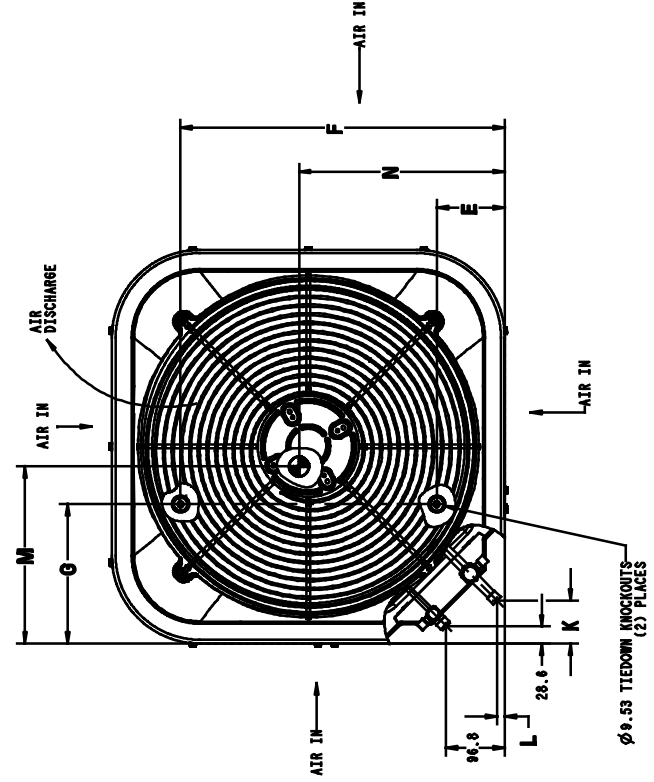
## DIMENSIONS - SI

UNIT SERIES	ELECTRICAL CHARACTERISTICS			A	B	C	D	E	F	G	K	L	M	N	P	OPERATING WEIGHT (KGS/WEIGHT (KGS))	SHIPPING DIMENSIONS (L X W X H)	
25HBB318	0	X	0	0	654.0	895.4	95.2	15.9	112.7	539.8	231.8	71.4	342.9	368.3	355.6	87.1	76.9	682.6 X 763.6 X 1000.1
25HBB324	0	X	0	0	792.2	735.0	95.2	15.9	106.7	627.1	231.8	71.4	396.9	425.4	368.3	73.5	65.7	822.3 X 901.7 X 827.1
25HBB330	0	X	0	0	792.2	993.8	95.2	19.0	166.7	627.1	231.8	71.4	419.1	393.7	431.8	84.4	91.5	822.3 X 901.7 X 1085.8
25HBB336	0	X	0	X	889.0	735.0	95.2	19.0	166.7	722.3	231.8	71.4	393.7	400.0	317.5	76.0	83.9	917.6 X 998.6 X 827.1
25HBB342	0	X	0	X	889.0	993.8	98.4	22.2	166.7	722.3	231.8	74.6	431.8	485.8	400.0	111.6	126.1	917.6 X 998.6 X 1085.8
25HBB348	0	X	0	X	889.0	735.0	98.4	22.2	166.7	722.3	231.8	74.6	431.8	406.4	304.8	108.9	123.8	917.6 X 998.6 X 827.1
25HBB360	0	X	0	0	889.0	735.0	98.4	22.2	166.7	722.3	231.8	74.6	431.8	406.4	304.8	113.4	127.9	917.6 X 998.6 X 827.1
25HBB360	1	X	0	X	889.0	735.0	98.4	22.2	166.7	722.3	231.8	74.6	431.8	406.4	304.8	113.4	127.9	917.6 X 998.6 X 827.1

NOTES:  
 1. ALLOW 762.0 CLEARANCE TO SERVICE SIDE OF UNIT, 1219.2 ABOVE UNIT, 152.4 ON ONE SIDE, 304.8 ON REMAINING SIDE, AND 609.6 BETWEEN UNITS FOR PROPER AIRFLOW.  
 2. MINIMUM OUTDOORS OPERATING AMBIENT IN COOLING MODE IS 15°C, MAX. 52°C.  
 3. SERIES DESIGNATION IS THE 13TH POSITION OF THE UNIT MODEL NUMBER.  
 4. CENTER OF GRAVITY   
 5. ALL DIMENSIONS ARE IN "MM" UNLESS NOTED.

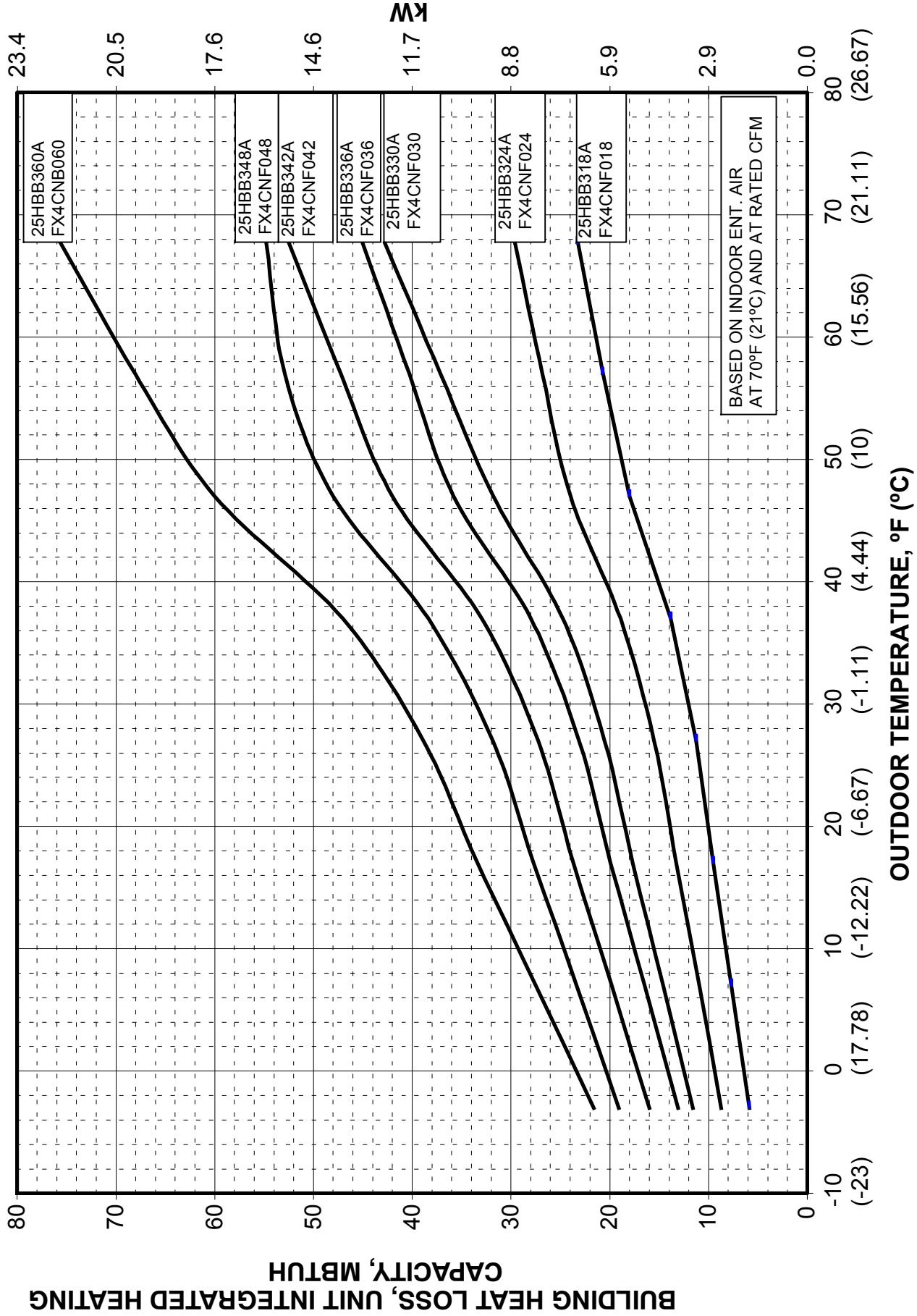
X = YES  
 0 = NO

4603-60
208/230-2-60
230-160
208-230-160

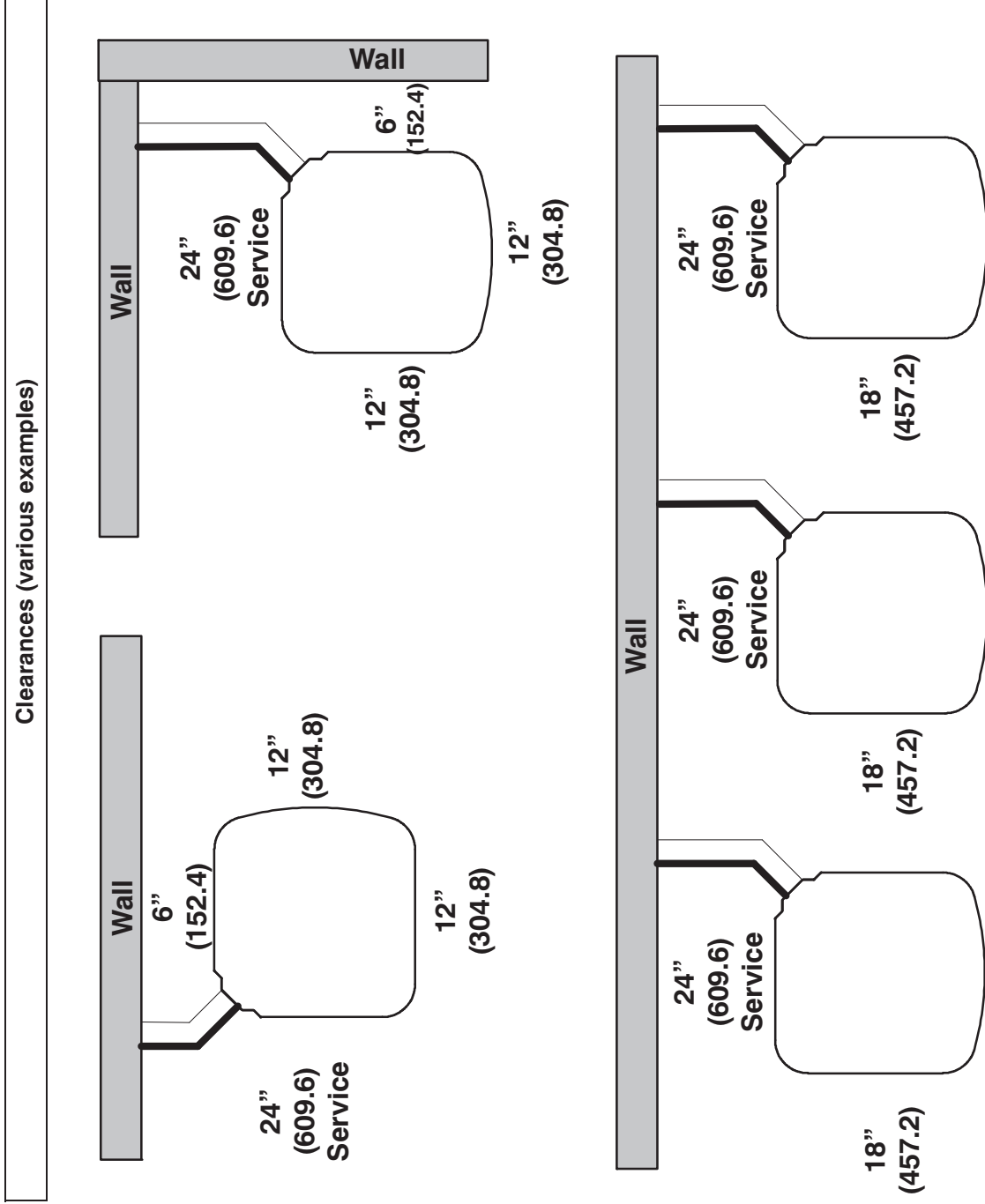


UNIT SIZE	MINIMUM MOUNTING PAD DIMENSIONS
18	660.4 X 660.4
24,30,36	800.1 X 800.1
36,42,48,60	889.0 X 889.0

**25HBB3 BALANCE POINT WORKSHEET**



**CLEARANCES**



**Note:** Numbers in ( ) = mm

**IMPORTANT:** When installing multiple units in an alcove, roof well, or partially enclosed area, ensure there is adequate ventilation to prevent re-circulation of discharge air.

# COMBINATION RATINGS

ARI Ref. No.	Model Number	Coil Model Number	Furnace Model Number	Cooling Capacity	EER	SEER	High Temp		HSPF	Low Temp	
							E Capacity	E COP		H Capacity	H COP
3252809	25HBB318(A,W)30	†FY4ANF018		17,200	10.7	13.00	18,000	3.30	7.7	10,800	2.20
3252853	25HBB318(A,W)30	FE4ANF002+UI		17,800	12.0	14.00	17,300	3.58	8.2	10,200	2.36
3252854	25HBB318(A,W)30	FF1ENP018		17,200	10.6	13.00	18,000	3.30	7.7	10,800	2.20
3463919	25HBB318(A,W)30	FF1ENP019		17,500	11.5	14.00	17,800	3.50	7.9	10,400	2.32
3252855	25HBB318(A,W)30	FF1ENP024		17,400	10.8	13.00	18,000	3.36	7.7	10,800	2.22
3252856	25HBB318(A,W)30	FV4BNF002		17,800	12.0	14.00	17,300	3.58	8.2	10,200	2.36
3405685	25HBB318(A,W)30	FV4CNF002		17,800	12.0	14.00	17,300	3.58	8.2	10,200	2.36
3252817	25HBB318(A,W)30	FX4CNF018		17,400	11.5	14.50	17,400	3.50	8.0	10,400	2.32
3252810	25HBB318(A,W)30	CAP**1814A**	58PH*045-08	17,200	11.5	14.00	17,200	3.38	7.7	10,300	2.28
3252829	25HBB318(A,W)30	CAP**2414A**	58CV(A,X)070-12	17,400	12.0	14.00	17,400	3.42	7.7	10,200	2.30
3252811	25HBB318(A,W)30	CAP**2414A**	58PH*045-08	17,400	12.0	14.75	17,400	3.56	8.1	10,400	2.36
3252828	25HBB318(A,W)30	CAP**2414A**+TDR		17,500	10.8	13.00	18,000	3.40	7.7	10,900	2.24
3252812	25HBB318(A,W)30	CAP**2417A**	58CV(A,X)090-16	17,400	12.0	14.75	17,200	3.44	7.7	10,200	2.32
3252819	25HBB318(A,W)30	CAP**2417A**	58MEB040-12	18,000	12.0	15.00	17,600	3.72	8.2	10,400	2.44
3252820	25HBB318(A,W)30	CAP**2417A**	58MEB060-12	17,900	12.0	15.00	17,500	3.64	8.2	10,300	2.40
3252831	25HBB318(A,W)30	CAP**2417A**	58MV(B,C)060-14	17,400	12.0	14.00	17,400	3.44	7.7	10,200	2.32
3407870	25HBB318(A,W)30	CAP**2417A**	58VLR105-12	17,800	12.0	15.00	17,600	3.64	8.2	10,300	2.40
3252830	25HBB318(A,W)30	CAP**2417A**+TDR		17,500	10.8	13.00	18,000	3.40	7.7	10,900	2.24
3252845	25HBB318(A,W)30	CNPF*2418A**+TDR		17,500	10.8	13.00	18,000	3.46	7.7	10,900	2.24
3252843	25HBB318(A,W)30	CNPH*2417A**	58CV(A,X)070-12	17,400	12.0	14.00	17,400	3.46	7.7	10,200	2.32
3252844	25HBB318(A,W)30	CNPH*2417A**	58CV(A,X)090-16	17,500	12.0	14.00	17,500	3.50	7.7	10,200	2.32
3407873	25HBB318(A,W)30	CNPH*2417A**	58HDV040-12	17,900	11.5	14.00	18,000	3.72	8.3	10,700	2.38
3252824	25HBB318(A,W)30	CNPH*2417A**	58MEB060-12	17,600	12.0	14.50	17,500	3.58	8.2	10,300	2.36
3252840	25HBB318(A,W)30	CNPH*2417A**	58MV(B,C)040-14	17,400	12.0	14.00	17,500	3.48	7.7	10,200	2.32
3252841	25HBB318(A,W)30	CNPH*2417A**	58MV(B,C)060-14	17,400	12.0	14.00	17,500	3.48	7.7	10,200	2.32
3252842	25HBB318(A,W)30	CNPH*2417A**	58MV(B,C)080-14	17,500	12.0	14.00	17,500	3.48	7.7	10,200	2.32
3252815	25HBB318(A,W)30	CNPH*2417A**	58PH*045-08	17,400	12.0	14.75	17,400	3.58	8.2	10,400	2.36
3407876	25HBB318(A,W)30	CNPH*2417A**	58VLR105-12	17,800	12.0	14.50	17,700	3.68	8.2	10,400	2.40
3407875	25HBB318(A,W)30	CNPH*2417A**	58VMR105-12	17,500	12.0	14.50	17,400	3.52	8.0	10,300	2.34
3252839	25HBB318(A,W)30	CNPH*2417A**+TDR		17,500	10.8	13.00	18,000	3.46	7.7	10,900	2.24
3252833	25HBB318(A,W)30	CNPV*1814A**	58CV(A,X)070-12	17,300	11.5	14.00	17,400	3.40	7.7	10,200	2.28
3252813	25HBB318(A,W)30	CNPV*1814A**	58PH*045-08	17,200	11.5	14.50	17,400	3.46	7.7	10,300	2.32
3252832	25HBB318(A,W)30	CNPV*1814A**+TDR		17,400	10.8	13.00	18,000	3.38	7.7	10,900	2.22
3252835	25HBB318(A,W)30	CNPV*2414A**	58CV(A,X)070-12	17,400	12.0	14.00	17,400	3.46	7.7	10,200	2.32
3252814	25HBB318(A,W)30	CNPV*2414A**	58PH*045-08	17,400	12.0	14.75	17,400	3.58	8.2	10,400	2.36
3252834	25HBB318(A,W)30	CNPV*2414A**+TDR		17,500	10.8	13.00	18,000	3.46	7.7	10,900	2.24
3252838	25HBB318(A,W)30	CNPV*2417A**	58CV(A,X)090-16	17,500	12.0	14.00	17,500	3.50	7.7	10,200	2.32
3252821	25HBB318(A,W)30	CNPV*2417A**	58MEB040-12	17,900	12.0	15.00	17,700	3.70	8.2	10,400	2.40
3252822	25HBB318(A,W)30	CNPV*2417A**	58MEB060-12	17,600	12.0	14.50	17,500	3.58	8.2	10,300	2.36
3252837	25HBB318(A,W)30	CNPV*2417A**	58MV(B,C)060-14	17,400	12.0	14.00	17,500	3.48	7.7	10,200	2.32
3407872	25HBB318(A,W)30	CNPV*2417A**	58VLR105-12	17,800	12.0	14.50	17,700	3.68	8.2	10,400	2.40
3407871	25HBB318(A,W)30	CNPV*2417A**	58VMR105-12	17,500	12.0	14.50	17,500	3.52	8.0	10,300	2.34
3252836	25HBB318(A,W)30	CNPV*2417A**+TDR		17,500	10.8	13.00	18,000	3.46	7.7	10,900	2.24
3252850	25HBB318(A,W)30	CSPH*2412A**	58CV(A,X)070-12	17,500	12.0	14.00	17,400	3.48	7.7	10,200	2.32
3407878	25HBB318(A,W)30	CSPH*2412A**	58HDV060-12	18,000	11.5	14.00	17,800	3.70	8.2	10,700	2.38
3252825	25HBB318(A,W)30	CSPH*2412A**	58MEB040-12	17,900	12.0	15.00	17,400	3.64	8.2	10,400	2.38
3252826	25HBB318(A,W)30	CSPH*2412A**	58MEB060-12	17,600	12.0	14.50	17,300	3.50	8.2	10,200	2.34
3252848	25HBB318(A,W)30	CSPH*2412A**	58MV(B,C)060-14	17,600	12.0	14.00	17,400	3.48	7.7	10,200	2.32
3252849	25HBB318(A,W)30	CSPH*2412A**	58MV(B,C)080-14	17,600	12.0	14.00	17,500	3.50	7.7	10,300	2.32
3252816	25HBB318(A,W)30	CSPH*2412A**	58PH*045-08	17,400	12.0	14.75	17,200	3.56	8.2	10,400	2.34
3407880	25HBB318(A,W)30	CSPH*2412A**	58VLR105-12	17,900	12.0	14.50	17,500	3.70	8.1	10,400	2.40
3407879	25HBB318(A,W)30	CSPH*2412A**	58VMR105-12	17,600	12.0	14.50	17,400	3.54	7.9	10,300	2.34
3252846	25HBB318(A,W)30	CSPH*2412A**+TDR		17,700	10.8	13.20	18,000	3.44	7.7	10,900	2.26
3252857	25HBB324(A,W)30	†FY4ANF024		22,600	10.5	13.00	24,000	3.54	8.2	15,000	2.48
3252965	25HBB324(A,W)30	FF1ENP024		22,800	10.7	13.00	24,000	3.54	8.2	15,200	2.46
3463923	25HBB324(A,W)30	FF1ENP025		22,600	11.5	14.00	23,600	3.62	8.2	14,400	2.56
3252962	25HBB324(A,W)30	FF1ENP030		22,800	10.4	13.00	24,200	3.56	8.0	15,100	2.48
3463924	25HBB324(A,W)30	FF1ENP031		22,800	11.5	14.50	23,400	3.68	8.4	14,400	2.60
3252963	25HBB324(A,W)30	FV4BNF002		23,200	11.7	14.00	23,200	3.80	8.5	14,400	2.66
3405688	25HBB324(A,W)30	FV4CN(B,F)003		23,400	12.0	14.00	23,000	3.78	8.5	14,300	2.66
3405687	25HBB324(A,W)30	FX4CNF002		23,200	11.7	14.00	23,200	3.80	8.5	14,400	2.66
3252866	25HBB324(A,W)30	FX4CNF024		23,000	11.5	14.00	23,800	3.72	8.5	14,600	2.60
3252867	25HBB324(A,W)30	FX4CNF030		23,400	12.0	14.50	23,600	3.84	8.7	14,600	2.66
3252961	25HBB324(A,W)30	FY4ANF030		23,000	10.6	13.20	24,000	3.64	8.4	15,100	2.52
3252893	25HBB324(A,W)30	CAP**2414A**	58CV(A,X)070-12	22,600	11.5	14.00	23,400	3.62	8.3	14,300	2.58
3252858	25HBB324(A,W)30	CAP**2414A**	58PH*045-08	22,800	11.5	14.00	23,800	3.68	8.2	14,500	2.60
3252892	25HBB324(A,W)30	CAP**2414A**+TDR		22,800	10.5	13.00	24,400	3.60	8.3	15,100	2.50
3252896	25HBB324(A,W)30	CAP**2417A**	58CV(A,X)090-16	22,800	11.7	14.00	23,400	3.66	8.4	14,300	2.60
3252868	25HBB324(A,W)30	CAP**2417A**	58MEB040-12	23,200	12.0	14.50	23,600	3.82	8.6	14,500	2.66
3252869	25HBB324(A,W)30	CAP**2417A**	58MEB060-12	23,200	12.0	14.50	23,600	3.84	8.6	14,500	2.68
3252870	25HBB324(A,W)30	CAP**2417A**	58MEB080-12	23,200	12.0	14.50	23,400	3.80	8.5	14,500	2.66
3252895	25HBB324(A,W)30	CAP**2417A**	58MV(B,C)060-14	22,800	11.7	14.00	23,400	3.64	8.4	14,300	2.58
3407882	25HBB324(A,W)30	CAP**2417A**	58VLR105-12	22,800	11.5	14.00	23,600	3.72	8.5	14,400	2.62
3407881	25HBB324(A,W)30	CAP**2417A**	58VMR105-12	22,600	11.5	14.00	23,400	3.62	8.3	14,300	2.58
3252894	25HBB324(A,W)30	CAP**2417A**+TDR		22,800	10.5	13.00	24,400	3.60	8.3	15,100	2.50
3252898	25HBB324(A,W)30	CAP**3014A**	58CV(A,X)070-12	23,000	11.7	14.00	23,000	3.64	8.4	14,400	2.60
3252897	25HBB324(A,W)30	CAP**3014A**+TDR		23,000	10.6	13.00	23,400	3.56	8.3	15,200	2.52
3252901	25HBB324(A,W)30	CAP**3017A**	58CV(A,X)090-16	23,000	11.7	14.00	23,000	3.68	8.5	14,300	2.62
3252871	25HBB324(A,W)30	CAP**3017A**	58MEB040-12	23,600	12.0	14.50	22,600	3.82	8.6	14,500	2.70

25HBB3

# COMBINATION RATINGS CONTINUED

ARI Ref. No.	Model Number	Coil Model Number	Furnace Model Number	Cooling Capacity	EER	SEER	High Temp		HSPF	Low Temp	
							E Capacity	E COP		H Capacity	H COP
3252872	25HBB324(A,W)30	CAP**3017A**	58MEB060-12	23,600	12.0	14.50	22,600	3.82	8.6	14,500	2.70
3252873	25HBB324(A,W)30	CAP**3017A**	58MEB080-12	23,400	12.0	14.50	22,800	3.80	8.6	14,500	2.68
3252900	25HBB324(A,W)30	CAP**3017A**	58MV(B,C)060-14	23,000	11.7	14.00	23,000	3.68	8.5	14,300	2.62
3252899	25HBB324(A,W)30	CAP**3017A**+TDR		23,000	10.6	13.00	23,400	3.56	8.3	15,200	2.52
3252936	25HBB324(A,W)30	CNPF*2418A**+TDR		22,800	10.5	13.00	24,400	3.68	8.5	15,200	2.52
3252919	25HBB324(A,W)30	CNPH*2417A**	58CV(A,X)070-12	22,600	11.5	14.00	23,600	3.68	8.4	14,400	2.58
3252920	25HBB324(A,W)30	CNPH*2417A**	58CV(A,X)090-16	22,800	11.6	14.00	23,600	3.72	8.5	14,400	2.62
3252921	25HBB324(A,W)30	CNPH*2417A**	58CV(A,X)110-20	22,800	11.5	14.00	23,600	3.70	8.5	14,400	2.60
3252922	25HBB324(A,W)30	CNPH*2417A**	58CV(A,X)135-22	22,800	11.5	14.00	23,600	3.70	8.5	14,400	2.60
3252923	25HBB324(A,W)30	CNPH*2417A**	58CV(A,X)155-22	22,800	11.5	14.00	23,600	3.72	8.5	14,400	2.60
3407889	25HBB324(A,W)30	CNPH*2417A**	58HDV040--12	22,600	11.2	13.50	24,000	3.72	8.5	14,600	2.58
3407890	25HBB324(A,W)30	CNPH*2417A**	58HDV060--12	22,800	11.2	13.50	24,000	3.76	8.5	14,700	2.60
3407891	25HBB324(A,W)30	CNPH*2417A**	58HDV080--20	23,200	11.2	13.50	24,000	3.90	8.6	14,800	2.66
3407892	25HBB324(A,W)30	CNPH*2417A**	58HDV100--20	23,000	11.5	14.00	24,000	3.86	8.6	14,700	2.66
3252880	25HBB324(A,W)30	CNPH*2417A**	58MEB040-12	23,000	12.0	14.50	23,600	3.82	8.6	14,500	2.64
3252881	25HBB324(A,W)30	CNPH*2417A**	58MEB060-12	23,000	11.5	14.50	23,600	3.84	8.6	14,500	2.66
3252882	25HBB324(A,W)30	CNPH*2417A**	58MEB080-12	23,000	11.5	14.50	23,600	3.80	8.6	14,500	2.64
3252913	25HBB324(A,W)30	CNPH*2417A**	58MV(B,C)040-14	22,800	11.5	14.00	23,600	3.70	8.5	14,400	2.60
3252914	25HBB324(A,W)30	CNPH*2417A**	58MV(B,C)060-14	22,800	11.5	14.00	23,600	3.70	8.5	14,400	2.60
3252915	25HBB324(A,W)30	CNPH*2417A**	58MV(B,C)080-14	22,800	11.5	14.00	23,600	3.70	8.5	14,400	2.60
3252916	25HBB324(A,W)30	CNPH*2417A**	58MV(B,C)080-20	22,800	11.5	14.00	23,600	3.70	8.5	14,400	2.60
3252917	25HBB324(A,W)30	CNPH*2417A**	58MV(B,C)100-20	22,800	11.5	14.00	23,600	3.72	8.5	14,400	2.60
3252918	25HBB324(A,W)30	CNPH*2417A**	58MV(B,C)120-20	22,600	11.5	14.00	23,600	3.66	8.4	14,400	2.58
3252862	25HBB324(A,W)30	CNPH*2417A**	58PH*045-08	22,800	11.5	14.00	23,800	3.72	8.6	14,500	2.60
3407894	25HBB324(A,W)30	CNPH*2417A**	58VLR105-12	22,800	11.5	14.00	23,800	3.78	8.5	14,500	2.64
3252912	25HBB324(A,W)30	CNPH*2417A**+TDR		22,800	10.5	13.00	24,400	3.68	8.5	15,200	2.52
3252931	25HBB324(A,W)30	CNPH*3017A**	58CV(A,X)070-12	23,000	11.7	14.00	23,000	3.66	8.5	14,300	2.60
3252932	25HBB324(A,W)30	CNPH*3017A**	58CV(A,X)090-16	23,000	11.7	14.00	23,000	3.70	8.5	14,300	2.62
3252933	25HBB324(A,W)30	CNPH*3017A**	58CV(A,X)110-20	23,000	11.7	14.00	23,000	3.70	8.5	14,400	2.62
3252934	25HBB324(A,W)30	CNPH*3017A**	58CV(A,X)135-22	23,000	11.7	14.00	23,000	3.70	8.5	14,400	2.62
3252935	25HBB324(A,W)30	CNPH*3017A**	58CV(A,X)155-22	23,000	11.7	14.00	23,000	3.70	8.5	14,300	2.64
3407895	25HBB324(A,W)30	CNPH*3017A**	58HDV040--12	23,200	11.5	14.00	23,400	3.74	8.5	14,700	2.62
3407896	25HBB324(A,W)30	CNPH*3017A**	58HDV060--12	23,400	11.5	14.00	23,400	3.80	8.5	14,800	2.66
3407897	25HBB324(A,W)30	CNPH*3017A**	58HDV100--20	23,600	12.0	14.50	23,200	3.88	8.6	14,700	2.72
3252883	25HBB324(A,W)30	CNPH*3017A**	58MEB040-12	23,600	12.0	14.50	22,600	3.82	8.6	14,500	2.70
3252885	25HBB324(A,W)30	CNPH*3017A**	58MEB080-12	23,400	12.0	14.50	22,600	3.80	8.6	14,500	2.68
3252926	25HBB324(A,W)30	CNPH*3017A**	58MV(B,C)060-14	23,000	11.7	14.00	23,000	3.68	8.5	14,300	2.62
3252927	25HBB324(A,W)30	CNPH*3017A**	58MV(B,C)080-14	23,000	11.7	14.00	23,000	3.68	8.7	14,400	2.62
3252928	25HBB324(A,W)30	CNPH*3017A**	58MV(B,C)080-20	23,000	11.7	14.00	23,000	3.68	8.5	14,400	2.62
3252929	25HBB324(A,W)30	CNPH*3017A**	58MV(B,C)100-20	23,000	11.7	14.00	23,000	3.70	8.5	14,400	2.62
3407898	25HBB324(A,W)30	CNPH*3017A**	58VMR105-12	22,800	12.0	14.50	23,200	3.70	8.5	14,300	2.62
3252924	25HBB324(A,W)30	CNPH*3017A**+TDR		23,000	10.6	13.00	23,400	3.56	8.3	15,200	2.52
3252903	25HBB324(A,W)30	CNPV*2414A**	58CV(A,X)070-12	22,600	11.5	14.00	23,400	3.68	8.4	14,400	2.58
3252860	25HBB324(A,W)30	CNPV*2414A**	58PH*045-08	22,800	11.5	14.00	23,800	3.72	8.6	14,500	2.60
3252902	25HBB324(A,W)30	CNPV*2414A**+TDR		22,800	10.5	13.00	24,400	3.68	8.5	15,200	2.52
3252906	25HBB324(A,W)30	CNPV*2417A**	58CV(A,X)090-16	22,800	11.5	14.00	23,400	3.72	8.5	14,400	2.62
3252874	25HBB324(A,W)30	CNPV*2417A**	58MEB040-12	23,000	12.0	14.50	23,600	3.82	8.6	14,500	2.64
3252876	25HBB324(A,W)30	CNPV*2417A**	58MEB080-12	23,000	11.5	14.50	23,600	3.80	8.6	14,500	2.64
3252905	25HBB324(A,W)30	CNPV*2417A**	58MV(B,C)060-14	22,800	11.5	14.00	23,400	3.70	8.5	14,400	2.60
3407886	25HBB324(A,W)30	CNPV*2417A**	58VLR105-12	22,800	11.5	14.00	23,800	3.78	8.5	14,500	2.64
3407885	25HBB324(A,W)30	CNPV*2417A**	58VMR105-12	22,600	11.5	14.00	23,600	3.66	8.3	14,400	2.58
3252904	25HBB324(A,W)30	CNPV*2417A**+TDR		22,800	10.5	13.00	24,400	3.68	8.5	15,200	2.52
3252908	25HBB324(A,W)30	CNPV*3014A**	58CV(A,X)070-12	23,000	11.7	14.00	23,000	3.66	8.4	14,400	2.60
3252907	25HBB324(A,W)30	CNPV*3014A**+TDR		23,000	10.6	13.00	23,400	3.56	8.3	15,200	2.52
3252877	25HBB324(A,W)30	CNPV*3017A**	58MEB040-12	23,600	12.0	14.50	22,600	3.82	8.6	14,500	2.70
3252878	25HBB324(A,W)30	CNPV*3017A**	58MEB060-12	23,600	12.0	14.50	22,600	3.82	8.6	14,600	2.70
3252879	25HBB324(A,W)30	CNPV*3017A**	58MEB080-12	23,400	12.0	14.50	22,600	3.80	8.6	14,500	2.68
3252910	25HBB324(A,W)30	CNPV*3017A**	58MV(B,C)060-14	23,000	11.7	14.00	23,000	3.68	8.5	14,300	2.62
3407888	25HBB324(A,W)30	CNPV*3017A**	58VLR105-12	23,200	12.0	14.50	23,400	3.78	8.5	14,400	2.66
3407887	25HBB324(A,W)30	CNPV*3017A**	58VMR105-12	22,800	12.0	14.50	23,200	3.70	8.5	14,300	2.62
3252909	25HBB324(A,W)30	CNPV*3017A**+TDR		23,000	10.6	13.00	23,400	3.56	8.3	15,200	2.52
3252944	25HBB324(A,W)30	CSPH*2412A**	58CV(A,X)070-12	22,600	11.6	14.00	23,400	3.70	8.5	14,400	2.60
3252945	25HBB324(A,W)30	CSPH*2412A**	58CV(A,X)090-16	22,600	11.7	14.00	23,400	3.74	8.6	14,400	2.62
3252946	25HBB324(A,W)30	CSPH*2412A**	58CV(A,X)110-20	22,600	11.5	14.00	23,400	3.72	8.5	14,500	2.60
3252947	25HBB324(A,W)30	CSPH*2412A**	58CV(A,X)135-22	22,600	11.7	14.00	23,400	3.74	8.6	14,500	2.60
3252948	25HBB324(A,W)30	CSPH*2412A**	58CV(A,X)155-22	22,600	11.7	14.00	23,400	3.74	8.6	14,400	2.62
3407900	25HBB324(A,W)30	CSPH*2412A**	58HDV040--12	23,000	11.2	13.50	24,000	3.74	8.5	14,700	2.58
3407901	25HBB324(A,W)30	CSPH*2412A**	58HDV060--12	23,000	11.2	13.50	24,000	3.78	8.5	14,700	2.60
3407902	25HBB324(A,W)30	CSPH*2412A**	58HDV080--20	23,400	11.5	14.00	24,000	3.90	8.6	14,800	2.66
3252886	25HBB324(A,W)30	CSPH*2412A**	58MEB040-12	23,200	12.0	14.50	23,400	3.82	8.6	14,500	2.64
3252887	25HBB324(A,W)30	CSPH*2412A**	58MEB060-12	23,400	12.0	14.50	23,400	3.84	8.6	14,500	2.66
3252938	25HBB324(A,W)30	CSPH*2412A**	58MV(B,C)040-14	22,600	11.5	14.00	23,400	3.72	8.5	14,500	2.60
3252939	25HBB324(A,W)30	CSPH*2412A**	58MV(B,C)060-14	22,600	11.7	14.00	23,400	3.72	8.5	14,400	2.60
3252940	25HBB324(A,W)30	CSPH*2412A**	58MV(B,C)080-14	22,600	11.5	14.00	23,400	3.74	8.5	14,500	2.60
3252942	25HBB324(A,W)30	CSPH*2412A**	58MV(B,C)100-20	22,600	11.7	14.00	23,400	3.74	8.6	14,500	2.62
3252943	25HBB324(A,W)30	CSPH*2412A**	58MV(B,C)120-20	22,600	11.5	14.00	23,400	3.70	8.5	14,400	2.58
3252864	25HBB324(A,W)30	CSPH*2412A**	58PH*045-08	23,000	11.5	14.00	23,600	3.74	8.6	14,500	2.60
3407905	25HBB324(A,W)30	CSPH*2412A**	58VLR105-12	23,200	11.5	14.00	23,800	3.82	8.5	14,500	2.64
3407904	25HBB324(A,W)30	CSPH*2412A**	58VMR105-12	22,800	11.5	14.00	23,600	3.68	8.4	14,400	2.58
3252937	25HBB324(A,W)30	CSPH*2412A**+TDR		22,800	10.6	13.00	24,200	3.68	8.5	15,200	2.54

25HBB3

See notes on page 34

# COMBINATION RATINGS CONTINUED

ARI Ref. No.	Model Number	Coil Model Number	Furnace Model Number	Cooling Capacity	EER	SEER	High Temp		HSPF	Low Temp	
							E Capacity	E COP		H Capacity	H COP
3252956	25HBB324(A,W)30	CSPH*3012A**	58CV(A,X)070-12	23,000	11.7	14.00	22,800	3.64	8.4	14,400	2.60
3252957	25HBB324(A,W)30	CSPH*3012A**	58CV(A,X)090-16	23,000	11.7	14.00	22,800	3.68	8.5	14,400	2.62
3252958	25HBB324(A,W)30	CSPH*3012A**	58CV(A,X)110-20	23,000	11.7	14.00	22,800	3.68	8.5	14,400	2.62
3252959	25HBB324(A,W)30	CSPH*3012A**	58CV(A,X)135-22	23,000	11.7	14.00	22,800	3.68	8.5	14,400	2.62
3252960	25HBB324(A,W)30	CSPH*3012A**	58CV(A,X)155-22	23,000	11.7	14.00	22,800	3.68	8.5	14,400	2.62
3407906	25HBB324(A,W)30	CSPH*3012A**	58HDV040--12	23,200	11.5	14.00	23,200	3.72	8.5	14,700	2.62
3407907	25HBB324(A,W)30	CSPH*3012A**	58HDV060--12	23,400	11.5	14.00	23,200	3.76	8.5	14,800	2.64
3252889	25HBB324(A,W)30	CSPH*3012A**	58MEB040-12	23,600	12.0	14.50	22,600	3.78	8.6	14,500	2.68
3252890	25HBB324(A,W)30	CSPH*3012A**	58MEB060-12	23,600	12.0	14.50	22,600	3.80	8.6	14,500	2.70
3252891	25HBB324(A,W)30	CSPH*3012A**	58MEB080-12	23,400	12.0	14.50	22,600	3.76	8.6	14,500	2.66
3252950	25HBB324(A,W)30	CSPH*3012A**	58MV(B,C)040-14	23,000	11.7	14.00	22,800	3.66	8.5	14,400	2.60
3252951	25HBB324(A,W)30	CSPH*3012A**	58MV(B,C)060-14	23,000	11.7	14.00	22,800	3.66	8.5	14,400	2.60
3252952	25HBB324(A,W)30	CSPH*3012A**	58MV(B,C)080-14	23,000	11.7	14.00	22,800	3.66	8.5	14,400	2.60
3252953	25HBB324(A,W)30	CSPH*3012A**	58MV(B,C)080-20	23,000	11.7	14.00	22,800	3.66	8.5	14,400	2.60
3252954	25HBB324(A,W)30	CSPH*3012A**	58MV(B,C)100-20	23,000	11.7	14.00	22,800	3.68	8.5	14,400	2.62
3252955	25HBB324(A,W)30	CSPH*3012A**	58MV(B,C)120-20	23,000	11.7	14.00	22,800	3.64	8.4	14,400	2.60
3252865	25HBB324(A,W)30	CSPH*3012A**	58PH*045-08	23,400	12.0	14.50	23,000	3.70	8.6	14,500	2.62
3407911	25HBB324(A,W)30	CSPH*3012A**	58VLR105-12	23,200	12.0	14.50	23,000	3.78	8.5	14,500	2.66
3252949	25HBB324(A,W)30	CSPH*3012A**+TDR		23,000	10.6	13.00	23,200	3.56	8.3	15,200	2.52
3252966	25HBB330(A,W)30	†FY4ANF030		30,000	10.8	13.00	30,000	3.46	8.0	18,700	2.38
3253093	25HBB330(A,W)30	FE4AN(B,F)003+UI		30,000	12.0	14.00	29,800	3.56	8.2	17,800	2.48
3253092	25HBB330(A,W)30	FE4ANF002+UI		30,000	11.5	14.00	30,000	3.56	8.2	18,000	2.48
3253094	25HBB330(A,W)30	FF1ENP030		29,800	10.8	13.00	30,000	3.40	7.7	18,600	2.36
3253095	25HBB330(A,W)30	FF1ENP036		30,000	10.8	13.00	30,000	3.48	8.0	18,700	2.38
3463928	25HBB330(A,W)30	FF1ENP037		30,000	11.5	14.00	30,000	3.50	8.0	18,000	2.44
3253097	25HBB330(A,W)30	FV4BN(B,F)003		30,000	12.0	14.00	29,800	3.56	8.2	17,800	2.48
3253096	25HBB330(A,W)30	FV4BNF002		30,000	11.5	14.00	30,000	3.56	8.2	18,000	2.48
3405692	25HBB330(A,W)30	FV4CN(B,F)003		30,000	12.0	14.00	29,800	3.56	8.2	17,800	2.48
3405691	25HBB330(A,W)30	FV4CNF002		30,000	11.5	14.00	30,000	3.56	8.2	18,000	2.48
3252982	25HBB330(A,W)30	FX4CN(B,F)036		30,000	11.4	13.50	30,000	3.60	8.2	18,400	2.46
3252981	25HBB330(A,W)30	FX4CNF030		30,000	11.5	14.00	30,000	3.60	8.2	18,200	2.46
3253091	25HBB330(A,W)30	FY4ANF036		30,000	10.7	13.00	30,000	3.46	8.0	18,800	2.38
3253016	25HBB330(A,W)30	CAP**3014A**	58CV(A,X)070-12	30,000	11.5	14.00	30,000	3.44	8.0	18,000	2.42
3253015	25HBB330(A,W)30	CAP**3014A**+TDR		30,000	10.8	13.00	30,000	3.46	8.0	18,800	2.38
3253019	25HBB330(A,W)30	CAP**3017A**	58CV(A,X)090-16	30,000	11.5	14.00	29,800	3.46	8.0	17,800	2.44
3252983	25HBB330(A,W)30	CAP**3017A**	58MEB040-12	30,000	11.5	14.00	30,000	3.58	8.1	18,000	2.48
3252985	25HBB330(A,W)30	CAP**3017A**	58MEB080-12	30,000	11.5	14.00	30,000	3.56	8.1	18,000	2.48
3252986	25HBB330(A,W)30	CAP**3017A**	58MEB080-16	30,000	11.5	14.00	30,000	3.62	8.2	18,200	2.50
3407913	25HBB330(A,W)30	CAP**3017A**	58VLR105-12	30,000	11.5	14.00	30,000	3.52	8.1	18,000	2.44
3253017	25HBB330(A,W)30	CAP**3017A**+TDR		30,000	10.8	13.00	30,000	3.46	8.0	18,800	2.38
3253021	25HBB330(A,W)30	CAP**3614A**	58CV(A,X)070-12	30,000	11.5	14.00	30,000	3.46	8.0	18,000	2.42
3253020	25HBB330(A,W)30	CAP**3614A**+TDR		30,000	10.8	13.00	30,000	3.50	8.0	18,800	2.40
3253422	25HBB330(A,W)30	CAP**3617A**	58CV(A,X)090-16	30,000	11.5	14.00	29,800	3.50	8.0	17,800	2.46
3252987	25HBB330(A,W)30	CAP**3617A**	58MEB040-12	30,000	11.5	14.50	30,000	3.62	8.2	18,000	2.50
3252988	25HBB330(A,W)30	CAP**3617A**	58MEB060-12	30,000	11.5	14.00	30,000	3.62	8.2	18,100	2.50
3252990	25HBB330(A,W)30	CAP**3617A**	58MEB080-16	30,000	11.5	14.00	30,000	3.66	8.2	18,200	2.50
3253023	25HBB330(A,W)30	CAP**3617A**	58MV(B,C)060-14	30,000	11.5	14.00	29,800	3.46	8.0	17,900	2.44
3252968	25HBB330(A,W)30	CAP**3617A**	58PH*070-16	30,000	11.5	14.00	30,000	3.54	8.0	18,200	2.46
3407915	25HBB330(A,W)30	CAP**3617A**	58VLR105-12	30,000	11.5	14.00	30,000	3.54	8.1	18,000	2.46
3407914	25HBB330(A,W)30	CAP**3617A**	58VMR105-12	29,800	11.5	14.00	29,800	3.44	7.9	17,800	2.42
3253022	25HBB330(A,W)30	CAP**3617A**+TDR		30,000	10.8	13.00	30,000	3.50	8.0	18,800	2.40
3407916	25HBB330(A,W)30	CAP**3619A**	58HDV040--12	30,000	11.2	13.50	30,000	3.50	8.0	18,300	2.42
3407917	25HBB330(A,W)30	CAP**3619A**	58HDV060--12	30,000	11.2	13.50	30,000	3.56	8.1	18,300	2.46
3253028	25HBB330(A,W)30	CAP**3621A**	58CV(A,X)110-20	30,000	11.5	14.00	29,800	3.52	8.0	17,900	2.46
3253026	25HBB330(A,W)30	CAP**3621A**	58MV(B,C)080-20	30,000	11.5	14.00	29,800	3.48	8.0	17,900	2.44
3253027	25HBB330(A,W)30	CAP**3621A**	58MV(B,C)100-20	30,000	11.5	14.00	29,800	3.50	8.0	17,900	2.46
3252969	25HBB330(A,W)30	CAP**3621A**	58PH*090-16	30,000	11.5	14.50	30,000	3.62	8.2	18,100	2.50
3253024	25HBB330(A,W)30	CAP**3621A**+TDR		30,000	10.8	13.00	30,000	3.50	8.0	18,800	2.40
3253066	25HBB330(A,W)30	CNPF*3618A**+TDR		30,000	10.8	13.00	30,000	3.48	8.0	18,800	2.38
3253050	25HBB330(A,W)30	CNPH*3017A**	58CV(A,X)090-16	30,000	11.5	14.00	29,800	3.48	8.0	17,900	2.44
3253051	25HBB330(A,W)30	CNPH*3017A**	58CV(A,X)110-20	30,000	11.5	14.00	29,800	3.48	8.0	17,900	2.44
3253052	25HBB330(A,W)30	CNPH*3017A**	58CV(A,X)135-22	30,000	11.5	14.00	29,800	3.48	8.0	17,900	2.46
3253053	25HBB330(A,W)30	CNPH*3017A**	58CV(A,X)155-22	30,000	11.5	14.00	29,800	3.50	8.0	17,900	2.46
3407922	25HBB330(A,W)30	CNPH*3017A**	58HDV040--12	30,000	11.2	13.50	30,000	3.46	8.0	18,200	2.40
3407923	25HBB330(A,W)30	CNPH*3017A**	58HDV060--12	30,000	11.2	13.50	30,000	3.52	8.1	18,300	2.44
3407924	25HBB330(A,W)30	CNPH*3017A**	58HDV080--20	30,000	11.5	14.00	30,000	3.62	8.2	18,200	2.48
3407925	25HBB330(A,W)30	CNPH*3017A**	58HDV100--20	30,000	11.5	14.00	30,000	3.56	8.1	18,000	2.46
3252999	25HBB330(A,W)30	CNPH*3017A**	58MEB040-12	30,000	11.5	14.00	30,000	3.58	8.1	18,000	2.48
3253001	25HBB330(A,W)30	CNPH*3017A**	58MEB080-12	30,000	11.5	14.00	30,000	3.56	8.1	18,000	2.48
3253002	25HBB330(A,W)30	CNPH*3017A**	58MEB080-16	30,000	11.5	14.00	30,000	3.60	8.2	18,200	2.48
3253043	25HBB330(A,W)30	CNPH*3017A**	58MV(B,C)040-14	30,000	11.5	14.00	30,000	3.44	8.0	17,900	2.42
3253044	25HBB330(A,W)30	CNPH*3017A**	58MV(B,C)060-14	30,000	11.5	14.00	29,800	3.44	8.0	17,900	2.42
3253045	25HBB330(A,W)30	CNPH*3017A**	58MV(B,C)080-14	30,000	11.5	14.00	30,000	3.46	8.0	18,000	2.44
3253046	25HBB330(A,W)30	CNPH*3017A**	58MV(B,C)080-20	30,000	11.5	14.00	30,000	3.46	8.0	17,900	2.42
3253047	25HBB330(A,W)30	CNPH*3017A**	58MV(B,C)100-20	30,000	11.5	14.00	29,800	3.46	8.0	17,900	2.44
3253048	25HBB330(A,W)30	CNPH*3017A**	58MV(B,C)120-20	30,000	11.5	14.00	29,800	3.46	8.0	17,900	2.44
3252973	25HBB330(A,W)30	CNPH*3017A**	58PH*070-16	30,000	11.5	14.00	30,000	3.50	8.0	18,100	2.44
3407927	25HBB330(A,W)30	CNPH*3017A**	58VLR105-12	30,000	11.5	14.00	30,000	3.52	8.0	18,000	2.44
3407926	25HBB330(A,W)30	CNPH*3017A**	58VMR105-12	29,800	11.5	14.00	29,800	3.42	7.9	17,800	2.40

25HBB3

# COMBINATION RATINGS CONTINUED

ARI Ref. No.	Model Number	Coil Model Number	Furnace Model Number	Cooling Capacity	EER	SEER	High Temp		HSPF	Low Temp	
							E Capacity	E COP		H Capacity	H COP
3253042	25HBB330(A,W)30	CNPH*3017A**+TDR		30,000	10.8	13.00	30,000	3.48	8.0	18,800	2.38
3253061	25HBB330(A,W)30	CNPH*3617A**	58CV(A,X)070-12	30,000	11.5	14.00	30,000	3.46	8.0	18,000	2.42
3253063	25HBB330(A,W)30	CNPH*3617A**	58CV(A,X)110-20	30,000	11.5	14.00	29,800	3.48	8.0	17,900	2.44
3253064	25HBB330(A,W)30	CNPH*3617A**	58CV(A,X)135-22	30,000	11.5	14.00	29,800	3.48	8.0	17,900	2.46
3253065	25HBB330(A,W)30	CNPH*3617A**	58CV(A,X)155-22	30,000	11.5	14.00	29,800	3.50	8.0	17,900	2.46
3407928	25HBB330(A,W)30	CNPH*3617A**	58HDV040--12	30,000	11.2	13.50	30,000	3.46	8.0	18,200	2.40
3407930	25HBB330(A,W)30	CNPH*3617A**	58HDV080--20	30,000	11.5	14.00	30,000	3.62	8.2	18,200	2.48
3253003	25HBB330(A,W)30	CNPH*3617A**	58MEB040-12	30,000	11.5	14.00	30,000	3.58	8.1	18,000	2.48
3253004	25HBB330(A,W)30	CNPH*3617A**	58MEB060-12	30,000	11.5	14.00	30,000	3.58	8.1	18,100	2.48
3253005	25HBB330(A,W)30	CNPH*3617A**	58MEB080-12	30,000	11.5	14.00	30,000	3.56	8.1	18,000	2.48
3253055	25HBB330(A,W)30	CNPH*3617A**	58MV(B,C)040-14	30,000	11.5	14.00	30,000	3.44	8.0	17,900	2.42
3253057	25HBB330(A,W)30	CNPH*3617A**	58MV(B,C)080-14	30,000	11.5	14.00	30,000	3.46	8.0	18,000	2.44
3253058	25HBB330(A,W)30	CNPH*3617A**	58MV(B,C)080-20	30,000	11.5	14.00	30,000	3.46	8.0	17,900	2.42
3253059	25HBB330(A,W)30	CNPH*3617A**	58MV(B,C)100-20	30,000	11.5	14.00	29,800	3.46	8.0	17,900	2.44
3253060	25HBB330(A,W)30	CNPH*3617A**	58MV(B,C)120-20	30,000	11.5	14.00	29,800	3.46	8.0	17,900	2.44
3252975	25HBB330(A,W)30	CNPH*3617A**	58PH*070-16	30,000	11.5	14.00	30,000	3.50	8.0	18,100	2.44
3252976	25HBB330(A,W)30	CNPH*3617A**	58PH*090-16	30,000	11.5	14.00	30,000	3.52	8.0	18,000	2.46
3407933	25HBB330(A,W)30	CNPH*3617A**	58VLR105-12	30,000	11.5	14.00	30,000	3.52	8.0	18,000	2.44
3253054	25HBB330(A,W)30	CNPH*3617A**+TDR		30,000	10.8	13.00	30,000	3.48	8.0	18,800	2.38
3253030	25HBB330(A,W)30	CNPV*3014A**	58CV(A,X)070-12	30,000	11.2	13.50	30,000	3.44	8.0	18,000	2.42
3253029	25HBB330(A,W)30	CNPV*3014A**+TDR		30,000	10.8	13.00	30,000	3.48	8.0	18,800	2.38
3253033	25HBB330(A,W)30	CNPV*3017A**	58CV(A,X)090-16	30,000	11.5	14.00	29,800	3.48	8.0	17,900	2.44
3252991	25HBB330(A,W)30	CNPV*3017A**	58MEB040-12	30,000	11.5	14.00	30,000	3.58	8.1	18,000	2.48
3252992	25HBB330(A,W)30	CNPV*3017A**	58MEB060-12	30,000	11.5	14.00	30,000	3.58	8.1	18,100	2.48
3252993	25HBB330(A,W)30	CNPV*3017A**	58MEB080-12	30,000	11.5	14.00	30,000	3.56	8.1	18,000	2.48
3252994	25HBB330(A,W)30	CNPV*3017A**	58MEB080-16	30,000	11.5	14.00	30,000	3.60	8.2	18,200	2.48
3253032	25HBB330(A,W)30	CNPV*3017A**	58MV(B,C)060-14	30,000	11.5	14.00	29,800	3.44	8.0	17,900	2.42
3252970	25HBB330(A,W)30	CNPV*3017A**	58PH*070-16	30,000	11.5	14.00	30,000	3.50	8.0	18,100	2.44
3407919	25HBB330(A,W)30	CNPV*3017A**	58VLR105-12	30,000	11.5	14.00	30,000	3.52	8.0	18,000	2.44
3407918	25HBB330(A,W)30	CNPV*3017A**	58VMR105-12	29,800	11.5	14.00	29,800	3.42	7.9	17,800	2.40
3253031	25HBB330(A,W)30	CNPV*3017A**+TDR		30,000	10.8	13.00	30,000	3.48	8.0	18,800	2.38
3253036	25HBB330(A,W)30	CNPV*3617A**	58CV(A,X)090-16	30,000	11.5	14.00	29,800	3.48	8.0	17,900	2.44
3252995	25HBB330(A,W)30	CNPV*3617A**	58MEB040-12	30,000	11.5	14.00	30,000	3.58	8.1	18,000	2.48
3252996	25HBB330(A,W)30	CNPV*3617A**	58MEB060-12	30,000	11.5	14.00	30,000	3.58	8.1	18,100	2.48
3252998	25HBB330(A,W)30	CNPV*3617A**	58MEB080-16	30,000	11.5	14.00	30,000	3.60	8.2	18,200	2.48
3253035	25HBB330(A,W)30	CNPV*3617A**	58MV(B,C)060-14	30,000	11.5	14.00	29,800	3.44	8.0	17,900	2.42
3252971	25HBB330(A,W)30	CNPV*3617A**	58PH*070-16	30,000	11.5	14.00	30,000	3.50	8.0	18,100	2.44
3407921	25HBB330(A,W)30	CNPV*3617A**	58VLR105-12	30,000	11.5	14.00	30,000	3.52	8.0	18,000	2.44
3407920	25HBB330(A,W)30	CNPV*3617A**	58VMR105-12	29,800	11.5	14.00	29,800	3.42	7.9	17,800	2.40
3253034	25HBB330(A,W)30	CNPV*3617A**+TDR		30,000	10.8	13.00	30,000	3.48	8.0	18,800	2.38
3253041	25HBB330(A,W)30	CNPV*3621A**	58CV(A,X)110-20	30,000	11.5	14.00	29,800	3.48	8.0	17,900	2.44
3253038	25HBB330(A,W)30	CNPV*3621A**	58MV(B,C)080-14	30,000	11.5	14.00	30,000	3.46	8.0	18,000	2.44
3253039	25HBB330(A,W)30	CNPV*3621A**	58MV(B,C)080-20	30,000	11.5	14.00	29,800	3.46	8.0	17,900	2.44
3253040	25HBB330(A,W)30	CNPV*3621A**	58MV(B,C)100-20	30,000	11.5	14.00	29,800	3.46	8.0	17,900	2.44
3252972	25HBB330(A,W)30	CNPV*3621A**	58PH*090-16	30,000	11.5	14.00	30,000	3.54	8.0	18,000	2.46
3253037	25HBB330(A,W)30	CNPV*3621A**+TDR		30,000	10.8	13.00	30,000	3.48	8.0	18,800	2.38
3253074	25HBB330(A,W)30	CSPH*3012A**	58CV(A,X)070-12	30,000	11.5	14.00	30,000	3.46	8.0	18,000	2.42
3253075	25HBB330(A,W)30	CSPH*3012A**	58CV(A,X)090-16	30,000	11.5	14.00	29,800	3.48	8.0	17,900	2.44
3253076	25HBB330(A,W)30	CSPH*3012A**	58CV(A,X)110-20	30,000	11.5	14.00	30,000	3.50	8.0	18,000	2.44
3253077	25HBB330(A,W)30	CSPH*3012A**	58CV(A,X)135-22	30,000	11.5	14.00	30,000	3.50	8.0	17,900	2.46
3253078	25HBB330(A,W)30	CSPH*3012A**	58CV(A,X)155-22	30,000	11.5	14.00	30,000	3.50	8.0	17,900	2.46
3407934	25HBB330(A,W)30	CSPH*3012A**	58HDV040--12	30,000	11.2	13.50	30,000	3.44	8.0	18,200	2.40
3407935	25HBB330(A,W)30	CSPH*3012A**	58HDV060--12	30,000	11.2	13.50	30,000	3.50	8.0	18,300	2.42
3407937	25HBB330(A,W)30	CSPH*3012A**	58HDV100--20	30,000	11.5	14.00	30,000	3.52	8.0	18,000	2.46
3253007	25HBB330(A,W)30	CSPH*3012A**	58MEB040-12	30,000	11.5	14.00	30,000	3.56	8.1	18,000	2.48
3253008	25HBB330(A,W)30	CSPH*3012A**	58MEB060-12	30,000	11.5	14.00	30,000	3.58	8.1	18,100	2.48
3253009	25HBB330(A,W)30	CSPH*3012A**	58MEB080-12	30,000	11.5	14.00	30,000	3.54	8.1	18,000	2.46
3253010	25HBB330(A,W)30	CSPH*3012A**	58MEB080-16	30,000	11.5	14.00	30,000	3.60	8.2	18,200	2.48
3253068	25HBB330(A,W)30	CSPH*3012A**	58MV(B,C)040-14	30,000	11.5	14.00	30,000	3.46	8.0	18,000	2.42
3253069	25HBB330(A,W)30	CSPH*3012A**	58MV(B,C)060-14	30,000	11.5	14.00	30,000	3.46	8.0	18,000	2.42
3253071	25HBB330(A,W)30	CSPH*3012A**	58MV(B,C)080-20	30,000	11.5	14.00	30,000	3.46	8.0	18,000	2.44
3253072	25HBB330(A,W)30	CSPH*3012A**	58MV(B,C)100-20	30,000	11.5	14.00	30,000	3.48	8.0	18,000	2.44
3253073	25HBB330(A,W)30	CSPH*3012A**	58MV(B,C)120-20	30,000	11.5	14.00	29,800	3.46	8.0	17,900	2.44
3252977	25HBB330(A,W)30	CSPH*3012A**	58PH*070-16	30,000	11.5	14.00	30,000	3.48	8.0	18,100	2.44
3252978	25HBB330(A,W)30	CSPH*3012A**	58PH*090-16	30,000	11.5	14.00	30,000	3.50	8.0	18,000	2.44
3407939	25HBB330(A,W)30	CSPH*3012A**	58VLR105-12	30,000	11.5	14.00	29,600	3.52	8.0	18,100	2.46
3407938	25HBB330(A,W)30	CSPH*3012A**	58VMR105-12	30,000	11.2	13.50	29,800	3.42	7.9	17,900	2.40
3253067	25HBB330(A,W)30	CSPH*3012A**+TDR		30,000	10.8	13.00	30,000	3.50	8.0	18,800	2.40
3253086	25HBB330(A,W)30	CSPH*3612A**	58CV(A,X)070-12	30,000	11.5	14.00	30,000	3.60	8.2	18,100	2.48
3253087	25HBB330(A,W)30	CSPH*3612A**	58CV(A,X)090-16	30,000	12.0	14.00	30,000	3.62	8.2	18,000	2.50
3253088	25HBB330(A,W)30	CSPH*3612A**	58CV(A,X)110-20	30,000	12.0	14.00	30,000	3.64	8.2	18,000	2.50
3253089	25HBB330(A,W)30	CSPH*3612A**	58CV(A,X)135-22	30,000	12.0	14.00	30,000	3.64	8.2	18,000	2.50
3407940	25HBB330(A,W)30	CSPH*3612A**	58HDV040--12	30,000	11.2	13.50	29,600	3.60	8.0	18,400	2.46
3407941	25HBB330(A,W)30	CSPH*3612A**	58HDV060--12	30,000	11.2	13.50	29,600	3.68	8.0	18,400	2.50
3407943	25HBB330(A,W)30	CSPH*3612A**	58HDV100--20	30,000	11.5	14.00	29,600	3.72	8.0	18,200	2.54
3253011	25HBB330(A,W)30	CSPH*3612A**	58MEB040-12	30,000	12.0	14.50	30,000	3.76	8.3	18,100	2.54
3253012	25HBB330(A,W)30	CSPH*3612A**	58MEB060-12	30,000	11.5	14.50	30,000	3.78	8.3	18,200	2.56
3253013	25HBB330(A,W)30	CSPH*3612A**	58MEB080-12	30,000	11.5	14.50	30,000	3.74	8.3	18,100	2.54
3253014	25HBB330(A,W)30	CSPH*3612A**	58MEB080-16	30,000	11.5	14.50	30,000	3.80	8.3	18,300	2.56
3253081	25HBB330(A,W)30	CSPH*3612A**	58MV(B,C)060-14	30,000	11.5	14.00	30,000	3.58	8.2	18,000	2.48

25HBB3

See notes on page 34

# COMBINATION RATINGS CONTINUED

ARI Ref. No.	Model Number	Coil Model Number	Furnace Model Number	Cooling Capacity	EER	SEER	High Temp		HSPF	Low Temp	
							E Capacity	E COP		H Capacity	H COP
3253084	25HBB330(A,W)30	CSPH*3612A**	58MV(B,C)100-20	30,000	12.0	14.00	30,000	3.62	8.2	18,000	2.50
3253085	25HBB330(A,W)30	CSPH*3612A**	58MV(B,C)120-20	30,000	12.0	14.00	30,000	3.58	8.2	18,000	2.48
3252979	25HBB330(A,W)30	CSPH*3612A**	58PH*070-16	30,000	11.5	14.00	30,000	3.68	8.2	18,300	2.50
3407945	25HBB330(A,W)30	CSPH*3612A**	58VLR105-12	30,000	11.5	14.00	29,600	3.66	8.0	18,100	2.50
3407944	25HBB330(A,W)30	CSPH*3612A**	58VMR105-12	30,000	11.5	14.00	29,600	3.52	8.0	17,900	2.46
3253079	25HBB330(A,W)30	CSPH*3612A**+TDR		30,000	10.8	13.00	30,000	3.64	8.2	18,900	2.44
3506974	25HBB330A50	FE4ANF002+UI		30,000	11.5	14.00	30,000	3.56	8.2	18,000	2.48
3506975	25HBB330A50	FF1ENP030		29,800	10.8	13.00	30,000	3.40	7.7	18,600	2.36
3506976	25HBB330A50	FF1ENP031		29,800	11.5	14.00	29,800	3.44	7.8	17,900	2.42
3506977	25HBB330A50	FF1ENP036		30,000	10.8	13.00	30,000	3.48	8.0	18,700	2.38
3506983	25HBB330A50	FV4BN(B,F)003		30,000	12.0	14.00	29,800	3.56	8.2	17,800	2.48
3506990	25HBB330A50	FV4BNF002		30,000	11.5	14.00	30,000	3.56	8.2	18,000	2.48
3506993	25HBB330A50	FV4CN(B,F)003		30,000	12.0	14.00	29,800	3.56	8.2	17,800	2.48
3507003	25HBB330A50	FX4CN(B,F)036		30,000	11.4	13.50	30,000	3.60	8.2	18,400	2.46
3507012	25HBB330A50	FX4CNF030		30,000	11.5	14.00	30,000	3.60	8.2	18,200	2.46
3506188	25HBB330A50	CAP**3014A**	58CV(A,X)070-12	30,000	11.5	14.00	30,000	3.44	8.0	18,000	2.42
3506901	25HBB330A50	CAP**3014A**+TDR		30,000	10.8	13.00	30,000	3.46	8.0	18,800	2.38
3506205	25HBB330A50	CAP**3017A**	58CV(A,X)090-16	30,000	11.5	14.00	29,800	3.46	8.0	17,800	2.44
3506405	25HBB330A50	CAP**3017A**	58MEB040-12	30,000	11.5	14.00	30,000	3.58	8.1	18,000	2.48
3506427	25HBB330A50	CAP**3017A**	58MEB060-12	30,000	11.5	14.00	30,000	3.60	8.2	18,100	2.48
3506549	25HBB330A50	CAP**3017A**	58MV(B,C)060-14	30,000	11.5	14.00	29,800	3.44	8.0	17,900	2.42
3506863	25HBB330A50	CAP**3017A**	58VMR105-12	29,800	11.5	14.00	29,200	3.40	7.8	17,800	2.40
3506902	25HBB330A50	CAP**3017A**+TDR		30,000	10.8	13.00	30,000	3.46	8.0	18,800	2.38
3506189	25HBB330A50	CAP**3614A**	58CV(A,X)070-12	30,000	11.5	14.00	30,000	3.46	8.0	18,000	2.42
3506903	25HBB330A50	CAP**3614A**+TDR		30,000	10.8	13.00	30,000	3.50	8.0	18,800	2.40
3506207	25HBB330A50	CAP**3617A**	58CV(A,X)090-16	30,000	11.5	14.00	29,800	3.50	8.0	17,800	2.46
3506406	25HBB330A50	CAP**3617A**	58MEB040-12	30,000	11.5	14.50	30,000	3.62	8.2	18,000	2.50
3506428	25HBB330A50	CAP**3617A**	58MEB060-12	30,000	11.5	14.00	30,000	3.62	8.2	18,100	2.50
3506450	25HBB330A50	CAP**3617A**	58MEB080-12	30,000	11.5	14.50	30,000	3.60	8.2	18,000	2.50
3506472	25HBB330A50	CAP**3617A**	58MEB080-16	30,000	11.5	14.00	30,000	3.66	8.2	18,200	2.50
3506550	25HBB330A50	CAP**3617A**	58MV(B,C)060-14	30,000	11.5	14.00	29,800	3.46	8.0	17,900	2.44
3506826	25HBB330A50	CAP**3617A**	58VLR105-12	30,000	11.5	14.00	30,000	3.54	8.1	18,000	2.46
3506906	25HBB330A50	CAP**3617A**+TDR		30,000	10.8	13.00	30,000	3.50	8.0	18,800	2.40
3506331	25HBB330A50	CAP**3619A**	58HDV040--12	30,000	11.2	13.50	30,000	3.50	8.0	18,300	2.42
3506342	25HBB330A50	CAP**3619A**	58HDV060--12	30,000	11.2	13.50	30,000	3.56	8.1	18,300	2.46
3506237	25HBB330A50	CAP**3621A**	58CV(A,X)110-20	30,000	11.5	14.00	29,800	3.52	8.0	17,900	2.46
3506571	25HBB330A50	CAP**3621A**	58MV(B,C)080-14	30,000	11.5	14.00	30,000	3.50	8.0	17,900	2.46
3506593	25HBB330A50	CAP**3621A**	58MV(B,C)080-20	30,000	11.5	14.00	29,800	3.48	8.0	17,900	2.44
3506629	25HBB330A50	CAP**3621A**	58MV(B,C)100-20	30,000	11.5	14.00	29,800	3.50	8.0	17,900	2.46
3506909	25HBB330A50	CAP**3621A**+TDR		30,000	10.8	13.00	30,000	3.50	8.0	18,800	2.40
3506926	25HBB330A50	CNPF*3618A**+TDR		30,000	10.8	13.00	30,000	3.48	8.0	18,800	2.38
3506192	25HBB330A50	CNPH*3017A**	58CV(A,X)070-12	30,000	11.5	14.00	30,000	3.46	8.0	18,000	2.42
3506211	25HBB330A50	CNPH*3017A**	58CV(A,X)090-16	30,000	11.5	14.00	29,800	3.48	8.0	17,900	2.44
3506246	25HBB330A50	CNPH*3017A**	58CV(A,X)110-20	30,000	11.5	14.00	29,800	3.48	8.0	17,900	2.44
3506307	25HBB330A50	CNPH*3017A**	58CV(A,X)155-22	30,000	11.5	14.00	29,800	3.50	8.0	17,900	2.46
3506332	25HBB330A50	CNPH*3017A**	58HDV040--12	30,000	11.2	13.50	30,000	3.46	8.0	18,200	2.40
3506359	25HBB330A50	CNPH*3017A**	58HDV080--20	30,000	11.5	14.00	30,000	3.62	8.2	18,200	2.48
3506381	25HBB330A50	CNPH*3017A**	58HDV100--20	30,000	11.5	14.00	30,000	3.56	8.1	18,000	2.46
3506409	25HBB330A50	CNPH*3017A**	58MEB040-12	30,000	11.5	14.00	30,000	3.58	8.1	18,000	2.48
3506431	25HBB330A50	CNPH*3017A**	58MEB060-12	30,000	11.5	14.00	30,000	3.58	8.1	18,100	2.48
3506453	25HBB330A50	CNPH*3017A**	58MEB080-12	30,000	11.5	14.00	30,000	3.56	8.1	18,000	2.48
3506477	25HBB330A50	CNPH*3017A**	58MEB080-16	30,000	11.5	14.00	30,000	3.60	8.2	18,200	2.48
3506576	25HBB330A50	CNPH*3017A**	58MV(B,C)080-14	30,000	11.5	14.00	30,000	3.46	8.0	18,000	2.44
3506602	25HBB330A50	CNPH*3017A**	58MV(B,C)080-20	30,000	11.5	14.00	30,000	3.46	8.0	17,900	2.42
3506638	25HBB330A50	CNPH*3017A**	58MV(B,C)100-20	30,000	11.5	14.00	29,800	3.46	8.0	17,900	2.44
3506671	25HBB330A50	CNPH*3017A**	58MV(B,C)120-20	30,000	11.5	14.00	29,800	3.46	8.0	17,900	2.44
3506697	25HBB330A50	CNPH*3017A**	58MVB040-14	30,000	11.5	14.00	30,000	3.44	8.0	17,900	2.42
3506723	25HBB330A50	CNPH*3017A**	58PH*070-16	30,000	11.5	14.00	30,000	3.50	8.0	18,100	2.44
3506867	25HBB330A50	CNPH*3017A**	58VMR105-12	29,800	11.5	14.00	29,800	3.42	7.9	17,800	2.40
3506931	25HBB330A50	CNPH*3017A**+TDR		30,000	10.8	13.00	30,000	3.48	8.0	18,800	2.38
3506193	25HBB330A50	CNPH*3617A**	58CV(A,X)070-12	30,000	11.5	14.00	30,000	3.46	8.0	18,000	2.42
3506247	25HBB330A50	CNPH*3617A**	58CV(A,X)110-20	30,000	11.5	14.00	29,800	3.48	8.0	17,900	2.44
3506308	25HBB330A50	CNPH*3617A**	58CV(A,X)155-22	30,000	11.5	14.00	29,800	3.50	8.0	17,900	2.46
3506333	25HBB330A50	CNPH*3617A**	58HDV040--12	30,000	11.2	13.50	30,000	3.46	8.0	18,200	2.40
3506346	25HBB330A50	CNPH*3617A**	58HDV060--12	30,000	11.2	13.50	30,000	3.52	8.0	18,300	2.44
3506360	25HBB330A50	CNPH*3617A**	58HDV080--20	30,000	11.5	14.00	30,000	3.62	8.2	18,200	2.48
3506382	25HBB330A50	CNPH*3617A**	58HDV100--20	30,000	11.5	14.00	30,000	3.56	8.1	18,000	2.46
3506410	25HBB330A50	CNPH*3617A**	58MEB040-12	30,000	11.5	14.00	30,000	3.58	8.1	18,000	2.48
3506478	25HBB330A50	CNPH*3617A**	58MEB080-16	30,000	11.5	14.00	30,000	3.60	8.2	18,200	2.48
3506554	25HBB330A50	CNPH*3617A**	58MV(B,C)060-14	30,000	11.5	14.00	29,800	3.44	8.0	17,900	2.42
3506603	25HBB330A50	CNPH*3617A**	58MV(B,C)080-20	30,000	11.5	14.00	30,000	3.46	8.0	17,900	2.42
3506639	25HBB330A50	CNPH*3617A**	58MV(B,C)100-20	30,000	11.5	14.00	29,800	3.46	8.0	17,900	2.44
3506672	25HBB330A50	CNPH*3617A**	58MV(B,C)120-20	30,000	11.5	14.00	29,800	3.46	8.0	17,900	2.44
3506698	25HBB330A50	CNPH*3617A**	58MVB040-14	30,000	11.5	14.00	30,000	3.44	8.0	17,900	2.42
3506724	25HBB330A50	CNPH*3617A**	58PH*070-16	30,000	11.5	14.00	30,000	3.50	8.0	18,100	2.44
3506868	25HBB330A50	CNPH*3617A**	58VMR105-12	29,800	11.5	14.00	29,800	3.42	7.9	17,800	2.40
3506932	25HBB330A50	CNPH*3617A**+TDR		30,000	10.8	13.00	30,000	3.48	8.0	18,800	2.38
3506198	25HBB330A50	CNPV*3014A**	58CV(A,X)070-12	30,000	11.2	13.50	30,000	3.44	8.0	18,000	2.42
3506941	25HBB330A50	CNPV*3014A**+TDR		30,000	10.8	13.00	30,000	3.48	8.0	18,800	2.38

25HBB3

# COMBINATION RATINGS CONTINUED

ARI Ref. No.	Model Number	Coil Model Number	Furnace Model Number	Cooling Capacity	EER	SEER	High Temp		HSPF	Low Temp	
							E Capacity	E COP		H Capacity	H COP
3506221	25HBB330A50	CNPV*3017A**	58CV(A,X)090-16	30,000	11.5	14.00	29,800	3.48	8.0	17,900	2.44
3506415	25HBB330A50	CNPV*3017A**	58MEB040-12	30,000	11.5	14.00	30,000	3.58	8.1	18,000	2.48
3506437	25HBB330A50	CNPV*3017A**	58MEB060-12	30,000	11.5	14.00	30,000	3.58	8.1	18,100	2.48
3506487	25HBB330A50	CNPV*3017A**	58MEB080-16	30,000	11.5	14.00	30,000	3.60	8.2	18,200	2.48
3506559	25HBB330A50	CNPV*3017A**	58MV(B,C)060-14	30,000	11.5	14.00	29,800	3.44	8.0	17,900	2.42
3506731	25HBB330A50	CNPV*3017A**	58PH*070-16	30,000	11.5	14.00	30,000	3.50	8.0	18,100	2.44
3506835	25HBB330A50	CNPV*3017A**	58VLR105-12	30,000	11.5	14.00	30,000	3.52	8.0	18,000	2.44
3506873	25HBB330A50	CNPV*3017A**	58VMR105-12	29,800	11.5	14.00	29,800	3.42	7.9	17,800	2.40
3506942	25HBB330A50	CNPV*3017A**+TDR		30,000	10.8	13.00	30,000	3.48	8.0	18,800	2.38
3506222	25HBB330A50	CNPV*3617A**	58CV(A,X)090-16	30,000	11.5	14.00	29,800	3.48	8.0	17,900	2.44
3506416	25HBB330A50	CNPV*3617A**	58MEB040-12	30,000	11.5	14.00	30,000	3.58	8.1	18,000	2.48
3506488	25HBB330A50	CNPV*3617A**	58MEB080-16	30,000	11.5	14.00	30,000	3.60	8.2	18,200	2.48
3506560	25HBB330A50	CNPV*3617A**	58MV(B,C)060-14	30,000	11.5	14.00	29,800	3.44	8.0	17,900	2.42
3506732	25HBB330A50	CNPV*3617A**	58PH*070-16	30,000	11.5	14.00	30,000	3.50	8.0	18,100	2.44
3506836	25HBB330A50	CNPV*3617A**	58VLR105-12	30,000	11.5	14.00	30,000	3.52	8.0	18,000	2.44
3506874	25HBB330A50	CNPV*3617A**	58VMR105-12	29,800	11.5	14.00	29,800	3.42	7.9	17,800	2.40
3506943	25HBB330A50	CNPV*3617A**+TDR		30,000	10.8	13.00	30,000	3.48	8.0	18,800	2.38
3506256	25HBB330A50	CNPV*3621A**	58CV(A,X)110-20	30,000	11.5	14.00	29,800	3.48	8.0	17,900	2.44
3506582	25HBB330A50	CNPV*3621A**	58MV(B,C)080-14	30,000	11.5	14.00	30,000	3.46	8.0	18,000	2.44
3506762	25HBB330A50	CNPV*3621A**	58PH*090-16	30,000	11.5	14.00	30,000	3.54	8.0	18,000	2.46
3506946	25HBB330A50	CNPV*3621A**+TDR		30,000	10.8	13.00	30,000	3.48	8.0	18,800	2.38
3506199	25HBB330A50	CSPH*3012A**	58CV(A,X)070-12	30,000	11.5	14.00	30,000	3.46	8.0	18,000	2.42
3506227	25HBB330A50	CSPH*3012A**	58CV(A,X)090-16	30,000	11.5	14.00	29,800	3.48	8.0	17,900	2.44
3506263	25HBB330A50	CSPH*3012A**	58CV(A,X)110-20	30,000	11.5	14.00	30,000	3.50	8.0	18,000	2.44
3506321	25HBB330A50	CSPH*3012A**	58CV(A,X)155-22	30,000	11.5	14.00	30,000	3.50	8.0	17,900	2.46
3506336	25HBB330A50	CSPH*3012A**	58HDV040--12	30,000	11.2	13.50	30,000	3.44	8.0	18,200	2.40
3506395	25HBB330A50	CSPH*3012A**	58HDV100--20	30,000	11.5	14.00	30,000	3.52	8.0	18,000	2.46
3506421	25HBB330A50	CSPH*3012A**	58MEB040-12	30,000	11.5	14.00	30,000	3.56	8.1	18,000	2.48
3506465	25HBB330A50	CSPH*3012A**	58MEB080-12	30,000	11.5	14.00	30,000	3.54	8.1	18,000	2.46
3506493	25HBB330A50	CSPH*3012A**	58MEB080-16	30,000	11.5	14.00	30,000	3.60	8.2	18,200	2.48
3506565	25HBB330A50	CSPH*3012A**	58MV(B,C)060-14	30,000	11.5	14.00	30,000	3.46	8.0	18,000	2.42
3506587	25HBB330A50	CSPH*3012A**	58MV(B,C)080-14	30,000	11.5	14.00	30,000	3.46	8.0	18,000	2.42
3506619	25HBB330A50	CSPH*3012A**	58MV(B,C)080-20	30,000	11.5	14.00	30,000	3.46	8.0	18,000	2.44
3506655	25HBB330A50	CSPH*3012A**	58MV(B,C)100-20	30,000	11.5	14.00	30,000	3.48	8.0	18,000	2.44
3506685	25HBB330A50	CSPH*3012A**	58MV(B,C)120-20	30,000	11.5	14.00	29,800	3.46	8.0	17,900	2.44
3506703	25HBB330A50	CSPH*3012A**	58MVB040-14	30,000	11.5	14.00	30,000	3.46	8.0	18,000	2.42
3506959	25HBB330A50	CSPH*3012A**+TDR		30,000	10.8	13.00	30,000	3.50	8.0	18,800	2.40
3506200	25HBB330A50	CSPH*3612A**	58CV(A,X)070-12	30,000	11.5	14.00	30,000	3.60	8.2	18,100	2.48
3506228	25HBB330A50	CSPH*3612A**	58CV(A,X)090-16	30,000	12.0	14.00	30,000	3.62	8.2	18,000	2.50
3506264	25HBB330A50	CSPH*3612A**	58CV(A,X)110-20	30,000	12.0	14.00	30,000	3.64	8.2	18,000	2.50
3506292	25HBB330A50	CSPH*3612A**	58CV(A,X)135-22	30,000	12.0	14.00	30,000	3.64	8.2	18,000	2.50
3506322	25HBB330A50	CSPH*3612A**	58CV(A,X)155-22	30,000	12.0	14.00	30,000	3.64	8.2	17,900	2.52
3506352	25HBB330A50	CSPH*3612A**	58HDV060--12	30,000	11.2	13.50	29,600	3.68	8.0	18,400	2.50
3506370	25HBB330A50	CSPH*3612A**	58HDV080--20	30,000	11.5	14.00	29,600	3.80	8.0	18,400	2.56
3506396	25HBB330A50	CSPH*3612A**	58HDV100--20	30,000	11.5	14.00	29,600	3.72	8.0	18,200	2.54
3506444	25HBB330A50	CSPH*3612A**	58MEB060-12	30,000	11.5	14.50	30,000	3.78	8.3	18,200	2.56
3506466	25HBB330A50	CSPH*3612A**	58MEB080-12	30,000	11.5	14.50	30,000	3.74	8.3	18,100	2.54
3506566	25HBB330A50	CSPH*3612A**	58MV(B,C)060-14	30,000	11.5	14.00	30,000	3.58	8.2	18,000	2.48
3506588	25HBB330A50	CSPH*3612A**	58MV(B,C)080-14	30,000	11.5	14.00	30,000	3.60	8.2	18,100	2.48
3506656	25HBB330A50	CSPH*3612A**	58MV(B,C)100-20	30,000	12.0	14.00	30,000	3.62	8.2	18,000	2.50
3506704	25HBB330A50	CSPH*3612A**	58MVB040-14	30,000	11.5	14.00	30,000	3.58	8.2	18,000	2.48
3506738	25HBB330A50	CSPH*3612A**	58PH*070-16	30,000	11.5	14.00	30,000	3.68	8.2	18,300	2.50
3506770	25HBB330A50	CSPH*3612A**	58PH*090-16	30,000	12.0	14.50	30,000	3.72	8.2	18,200	2.52
3506880	25HBB330A50	CSPH*3612A**	58VMR105-12	30,000	11.5	14.00	29,600	3.52	8.0	17,900	2.46
3506960	25HBB330A50	CSPH*3612A**+TDR		30,000	10.8	13.00	30,000	3.64	8.2	18,900	2.44
3253098	25HBB336(A,W)30	†FY4ANF036		33,800	10.5	13.00	35,400	3.54	7.8	22,200	2.48
3253252	25HBB336(A,W)30	FV4BN(B,F)003		34,000	11.7	14.50	34,400	3.66	8.1	21,200	2.58
3253251	25HBB336(A,W)30	FV4BNF002		33,600	11.5	14.00	34,800	3.50	8.0	22,000	2.48
3405696	25HBB336(A,W)30	FV4CN(B,F)003		34,000	11.7	14.50	34,400	3.66	8.1	21,200	2.58
3405697	25HBB336(A,W)30	FV4CNF002		33,600	11.5	14.00	34,800	3.50	8.0	22,000	2.48
3253126	25HBB336(A,W)30	FX4CN(B,F)036		34,200	11.2	14.00	34,000	3.70	7.9	21,600	2.60
3253127	25HBB336(A,W)30	FX4CN(B,F)042		34,800	11.2	14.00	33,800	3.70	8.2	21,800	2.64
3253249	25HBB336(A,W)30	FY4ANF042		34,200	10.8	13.00	34,200	3.78	7.9	21,200	2.68
3253169	25HBB336(A,W)30	CAP**3614A**	58CV(A,X)070-12	33,400	11.2	13.50	34,600	3.56	7.8	21,200	2.54
3253099	25HBB336(A,W)30	CAP**3614A**	58PH*045-08	33,200	10.8	13.00	34,800	3.50	7.7	21,600	2.50
3253168	25HBB336(A,W)30	CAP**3614A**+TDR		33,400	10.8	13.00	35,000	3.52	7.7	21,800	2.48
3253172	25HBB336(A,W)30	CAP**3617A**	58CV(A,X)090-16	33,600	11.5	14.00	34,400	3.62	7.9	21,000	2.58
3253128	25HBB336(A,W)30	CAP**3617A**	58MEB040-12	33,600	11.5	14.00	34,200	3.66	8.0	21,200	2.60
3253129	25HBB336(A,W)30	CAP**3617A**	58MEB060-12	33,600	11.0	14.00	34,200	3.64	8.0	21,200	2.60
3253130	25HBB336(A,W)30	CAP**3617A**	58MEB080-12	33,600	11.5	14.00	34,200	3.64	8.0	21,200	2.58
3253131	25HBB336(A,W)30	CAP**3617A**	58MEB080-16	33,600	11.0	14.00	34,200	3.64	8.0	21,200	2.58
3253171	25HBB336(A,W)30	CAP**3617A**	58MV(B,C)060-14	33,600	11.5	14.00	34,400	3.60	7.9	21,000	2.56
3253100	25HBB336(A,W)30	CAP**3617A**	58PH*070-16	33,600	11.2	13.50	34,600	3.58	7.8	21,400	2.54
3407947	25HBB336(A,W)30	CAP**3617A**	58VLR105-12	33,400	11.2	13.50	34,800	3.64	7.9	21,400	2.56
3253170	25HBB336(A,W)30	CAP**3617A**+TDR		33,600	10.5	13.00	35,200	3.54	7.8	22,000	2.50
3253177	25HBB336(A,W)30	CAP**3621A**	58CV(A,X)110-20	33,800	11.5	14.00	34,400	3.64	8.0	21,000	2.60
3253132	25HBB336(A,W)30	CAP**3621A**	58MEB100-20	33,600	11.5	14.50	34,000	3.68	8.0	21,000	2.62
3253175	25HBB336(A,W)30	CAP**3621A**	58MV(B,C)080-20	33,600	11.5	14.00	34,400	3.60	7.9	21,000	2.56
3253176	25HBB336(A,W)30	CAP**3621A**	58MV(B,C)100-20	33,600	11.5	14.00	34,400	3.62	7.9	21,000	2.58

See notes on page 34

# COMBINATION RATINGS CONTINUED

ARI Ref. No.	Model Number	Coil Model Number	Furnace Model Number	Cooling Capacity	EER	SEER	High Temp		HSPF	Low Temp	
							E Capacity	E COP		H Capacity	H COP
3407948	25HBB336(A,W)30	CAP**3621A**	58VMR120-20	33,400	11.5	14.00	34,600	3.62	7.9	21,000	2.58
3253173	25HBB336(A,W)30	CAP**3621A**+TDR		33,600	10.5	13.00	35,200	3.54	7.8	22,000	2.50
3253182	25HBB336(A,W)30	CAP**4221A**	58CV(A,X)110-20	34,000	11.5	14.00	34,200	3.68	8.0	21,000	2.62
3253133	25HBB336(A,W)30	CAP**4221A**	58MEB100-20	34,000	11.5	14.50	33,800	3.72	8.1	21,000	2.64
3253179	25HBB336(A,W)30	CAP**4221A**	58MV(B,C)080-14	33,600	11.5	14.00	34,200	3.60	7.9	21,200	2.56
3253180	25HBB336(A,W)30	CAP**4221A**	58MV(B,C)080-20	33,800	11.5	14.00	34,200	3.64	8.0	21,200	2.58
3253181	25HBB336(A,W)30	CAP**4221A**	58MV(B,C)100-20	33,800	11.5	14.00	34,200	3.66	8.0	21,200	2.60
3253103	25HBB336(A,W)30	CAP**4221A**	58PH*090-16	34,200	11.5	14.50	34,200	3.72	8.2	21,200	2.64
3253104	25HBB336(A,W)30	CAP**4221A**	58PH*110-20	34,400	11.5	14.50	34,200	3.76	8.2	21,200	2.66
3407951	25HBB336(A,W)30	CAP**4221A**	58VLR120-20	33,800	11.5	14.00	34,400	3.70	8.1	21,000	2.62
3407950	25HBB336(A,W)30	CAP**4221A**	58VMR120-20	33,600	11.5	14.00	34,000	3.66	8.0	21,000	2.60
3253178	25HBB336(A,W)30	CAP**4221A**+TDR		33,800	10.8	13.00	35,000	3.58	7.9	22,200	2.52
3253186	25HBB336(A,W)30	CAP**4224A**	58CV(A,X)155-22	34,000	11.5	14.00	34,000	3.70	8.1	21,000	2.62
3253184	25HBB336(A,W)30	CAP**4224A**	58MV(B,C)040-14	33,800	11.5	14.00	34,200	3.62	7.9	21,200	2.58
3253185	25HBB336(A,W)30	CAP**4224A**	58MV(B,C)120-20	33,800	11.5	14.00	34,200	3.66	8.0	21,000	2.60
3253183	25HBB336(A,W)30	CAP**4224A**+TDR		33,800	10.8	13.00	35,000	3.58	7.9	22,200	2.52
3253224	25HBB336(A,W)30	CNPF*3618A**+TDR		33,600	10.5	13.00	35,400	3.72	7.8	21,000	2.62
3253207	25HBB336(A,W)30	CNPH*3617A**	58CV(A,X)070-12	33,400	11.2	13.50	34,600	3.58	7.8	21,000	2.54
3253208	25HBB336(A,W)30	CNPH*3617A**	58CV(A,X)090-16	33,600	11.5	14.00	34,600	3.56	7.9	21,200	2.54
3253209	25HBB336(A,W)30	CNPH*3617A**	58CV(A,X)110-20	33,600	11.5	14.00	34,600	3.60	7.9	21,000	2.56
3253211	25HBB336(A,W)30	CNPH*3617A**	58CV(A,X)155-22	33,600	11.5	14.00	34,400	3.60	7.9	21,000	2.56
3407961	25HBB336(A,W)30	CNPH*3617A**	58HDV060-12	33,200	11.0	13.20	35,200	3.56	7.8	21,600	2.52
3407962	25HBB336(A,W)30	CNPH*3617A**	58HDV080-20	33,600	11.2	13.50	34,800	3.66	8.0	21,600	2.58
3407963	25HBB336(A,W)30	CNPH*3617A**	58HDV100-20	33,400	11.2	13.50	35,000	3.64	7.9	21,200	2.58
3253148	25HBB336(A,W)30	CNPH*3617A**	58MEB040-12	33,200	11.5	14.00	34,400	3.62	7.9	21,200	2.56
3253150	25HBB336(A,W)30	CNPH*3617A**	58MEB080-12	33,200	11.5	14.00	34,400	3.60	7.9	21,200	2.56
3253151	25HBB336(A,W)30	CNPH*3617A**	58MEB080-16	33,400	11.5	14.00	34,400	3.60	7.9	21,200	2.56
3253201	25HBB336(A,W)30	CNPH*3617A**	58MV(B,C)040-14	33,400	11.2	13.50	34,600	3.54	7.8	22,000	2.50
3253202	25HBB336(A,W)30	CNPH*3617A**	58MV(B,C)060-14	33,400	11.5	14.00	34,600	3.54	7.8	21,200	2.52
3253203	25HBB336(A,W)30	CNPH*3617A**	58MV(B,C)080-14	33,200	11.2	13.50	34,600	3.58	7.7	21,200	2.54
3253204	25HBB336(A,W)30	CNPH*3617A**	58MV(B,C)080-20	33,400	11.5	14.00	34,600	3.54	7.8	21,200	2.52
3253206	25HBB336(A,W)30	CNPH*3617A**	58MV(B,C)120-20	33,400	11.5	14.00	34,600	3.58	7.8	21,200	2.56
3253110	25HBB336(A,W)30	CNPH*3617A**	58PH*045-08	33,200	10.8	13.00	35,000	3.50	7.7	21,600	2.48
3253111	25HBB336(A,W)30	CNPH*3617A**	58PH*070-16	33,400	11.2	13.50	34,800	3.54	7.7	21,400	2.52
3253112	25HBB336(A,W)30	CNPH*3617A**	58PH*090-16	33,600	11.5	14.00	34,600	3.62	7.8	21,200	2.58
3253113	25HBB336(A,W)30	CNPH*3617A**	58PH*110-20	33,800	11.5	14.00	34,600	3.64	7.9	21,200	2.58
3407965	25HBB336(A,W)30	CNPH*3617A**	58VLR105-12	33,400	11.2	13.50	35,000	3.60	7.9	21,400	2.54
3407967	25HBB336(A,W)30	CNPH*3617A**	58VLR120-20	33,400	11.5	14.00	34,600	3.62	7.9	21,000	2.58
3407964	25HBB336(A,W)30	CNPH*3617A**	58VMR105-12	33,000	11.2	13.50	34,800	3.54	7.7	21,200	2.52
3253200	25HBB336(A,W)30	CNPH*3617A**+TDR		33,600	10.5	13.00	35,400	3.68	7.8	21,200	2.60
3253219	25HBB336(A,W)30	CNPH*4221A**	58CV(A,X)070-12	33,800	11.5	14.00	34,400	3.66	8.0	21,200	2.60
3253220	25HBB336(A,W)30	CNPH*4221A**	58CV(A,X)090-16	34,000	11.5	14.00	34,200	3.64	8.0	21,200	2.58
3253221	25HBB336(A,W)30	CNPH*4221A**	58CV(A,X)110-20	34,000	11.5	14.00	34,400	3.68	8.0	21,200	2.60
3253222	25HBB336(A,W)30	CNPH*4221A**	58CV(A,X)135-22	34,000	11.5	14.00	34,200	3.68	8.0	21,200	2.60
3253223	25HBB336(A,W)30	CNPH*4221A**	58CV(A,X)155-22	34,000	11.7	14.50	34,200	3.68	8.1	21,000	2.62
3407968	25HBB336(A,W)30	CNPH*4221A**	58HDV040-12	33,000	11.0	13.20	35,200	3.58	7.8	21,800	2.52
3407969	25HBB336(A,W)30	CNPH*4221A**	58HDV060-12	33,800	11.2	13.50	35,000	3.66	8.0	21,600	2.56
3407970	25HBB336(A,W)30	CNPH*4221A**	58HDV080-20	34,200	11.2	13.50	35,000	3.76	8.1	21,600	2.62
3407971	25HBB336(A,W)30	CNPH*4221A**	58HDV100-20	34,000	11.2	13.50	34,800	3.74	8.1	21,400	2.62
3253153	25HBB336(A,W)30	CNPH*4221A**	58MEB040-12	34,000	11.5	14.00	34,200	3.70	8.1	21,200	2.62
3253154	25HBB336(A,W)30	CNPH*4221A**	58MEB060-12	34,000	11.5	14.00	34,200	3.70	8.1	21,400	2.62
3253155	25HBB336(A,W)30	CNPH*4221A**	58MEB080-12	33,800	11.5	14.00	34,200	3.70	8.1	21,200	2.62
3253156	25HBB336(A,W)30	CNPH*4221A**	58MEB080-16	34,000	11.5	14.00	34,200	3.70	8.1	21,400	2.62
3253157	25HBB336(A,W)30	CNPH*4221A**	58MEB100-20	33,800	11.5	14.50	34,000	3.70	8.1	21,000	2.62
3253213	25HBB336(A,W)30	CNPH*4221A**	58MV(B,C)040-14	33,800	11.5	14.00	34,400	3.60	7.9	22,200	2.52
3253216	25HBB336(A,W)30	CNPH*4221A**	58MV(B,C)080-20	33,800	11.5	14.00	34,400	3.60	8.0	21,200	2.56
3253217	25HBB336(A,W)30	CNPH*4221A**	58MV(B,C)100-20	33,800	11.5	14.00	34,400	3.64	8.0	21,200	2.58
3253218	25HBB336(A,W)30	CNPH*4221A**	58MV(B,C)120-20	33,800	11.5	14.00	34,400	3.66	8.0	21,200	2.60
3253114	25HBB336(A,W)30	CNPH*4221A**	58PH*045-08	33,800	11.0	13.50	34,800	3.58	7.8	21,600	2.54
3253115	25HBB336(A,W)30	CNPH*4221A**	58PH*070-16	33,800	11.0	13.50	34,600	3.62	7.9	21,400	2.56
3253116	25HBB336(A,W)30	CNPH*4221A**	58PH*090-16	34,200	11.5	14.50	34,400	3.70	7.9	21,200	2.62
3407973	25HBB336(A,W)30	CNPH*4221A**	58VLR105-12	33,800	11.2	13.50	34,600	3.68	8.0	21,400	2.60
3407972	25HBB336(A,W)30	CNPH*4221A**	58VMR105-12	33,400	11.2	13.50	34,600	3.62	7.9	21,200	2.56
3407974	25HBB336(A,W)30	CNPH*4221A**	58VMR120-20	33,600	11.5	14.00	34,600	3.66	8.0	21,200	2.58
3253212	25HBB336(A,W)30	CNPH*4221A**+TDR		34,000	10.8	13.00	35,000	3.62	7.9	21,000	2.58
3253189	25HBB336(A,W)30	CNPV*3617A**	58CV(A,X)090-16	33,600	11.5	14.00	34,600	3.58	7.9	21,200	2.54
3253134	25HBB336(A,W)30	CNPV*3617A**	58MEB040-12	33,200	11.5	14.00	34,400	3.62	7.9	21,200	2.56
3253135	25HBB336(A,W)30	CNPV*3617A**	58MEB060-12	33,200	11.2	14.00	34,400	3.62	7.9	21,200	2.56
3253137	25HBB336(A,W)30	CNPV*3617A**	58MEB080-16	33,200	11.2	14.00	34,400	3.60	7.9	21,200	2.56
3253188	25HBB336(A,W)30	CNPV*3617A**	58MV(B,C)060-14	33,400	11.5	14.00	34,600	3.54	7.8	22,000	2.50
3253105	25HBB336(A,W)30	CNPV*3617A**	58PH*070-16	33,400	11.2	13.50	34,800	3.54	7.9	21,400	2.52
3407954	25HBB336(A,W)30	CNPV*3617A**	58VLR105-12	33,400	11.2	13.50	34,800	3.60	7.9	21,400	2.54
3407953	25HBB336(A,W)30	CNPV*3617A**	58VMR105-12	33,000	11.2	13.50	34,800	3.54	7.7	21,200	2.52
3253187	25HBB336(A,W)30	CNPV*3617A**+TDR		33,600	10.5	13.00	35,400	3.72	7.8	21,000	2.64
3253138	25HBB336(A,W)30	CNPV*3621A**	58MEB100-20	33,200	11.5	14.00	34,200	3.60	7.9	21,000	2.58
3253192	25HBB336(A,W)30	CNPV*3621A**	58MV(B,C)080-20	33,400	11.5	14.00	34,600	3.54	7.8	21,200	2.52
3253193	25HBB336(A,W)30	CNPV*3621A**	58MV(B,C)100-20	33,400	11.5	14.00	34,600	3.58	7.8	21,200	2.54
3253106	25HBB336(A,W)30	CNPV*3621A**	58PH*090-16	33,800	11.5	14.00	34,600	3.62	7.9	21,200	2.58
3407956	25HBB336(A,W)30	CNPV*3621A**	58VLR120-20	33,400	11.5	14.00	34,200	3.62	7.9	21,000	2.58
3407955	25HBB336(A,W)30	CNPV*3621A**	58VMR120-20	33,200	11.2	13.50	34,800	3.58	7.8	21,000	2.54

25HBB3

See notes on page 34

# COMBINATION RATINGS CONTINUED

ARI Ref. No.	Model Number	Coil Model Number	Furnace Model Number	Cooling Capacity	EER	SEER	High Temp		HSPF	Low Temp	
							E Capacity	E COP		H Capacity	H COP
3253190	25HBB336(A,W)30	CNPV*3621A**+TDR		33,600	10.5	13.00	35,400	3.60	7.8	21,000	2.56
3253141	25HBB336(A,W)30	CNPV*4217A**	58CV(A,X)090-16	34,000	11.5	14.50	33,800	3.70	8.1	21,200	2.62
3253143	25HBB336(A,W)30	CNPV*4217A**	58MEB040-12	34,200	11.5	14.50	33,800	3.74	8.2	21,400	2.64
3253144	25HBB336(A,W)30	CNPV*4217A**	58MEB060-12	34,200	11.5	14.00	33,800	3.74	8.0	21,400	2.64
3253145	25HBB336(A,W)30	CNPV*4217A**	58MEB080-12	34,200	11.5	14.00	33,800	3.72	8.1	21,400	2.64
3253146	25HBB336(A,W)30	CNPV*4217A**	58MEB080-16	34,200	11.5	14.00	33,800	3.74	8.1	21,400	2.64
3253140	25HBB336(A,W)30	CNPV*4217A**	58MV(B,C)060-14	34,200	11.2	14.00	33,800	3.72	8.1	21,400	2.62
3253142	25HBB336(A,W)30	CNPV*4217A**	58PH*070-16	34,000	11.2	13.50	34,000	3.66	8.0	21,600	2.60
3407958	25HBB336(A,W)30	CNPV*4217A**	58VLR105-12	34,000	11.2	13.50	34,600	3.72	8.1	21,400	2.62
3407957	25HBB336(A,W)30	CNPV*4217A**	58VMR105-12	33,800	11.5	14.00	34,400	3.66	7.8	21,200	2.58
3253139	25HBB336(A,W)30	CNPV*4217A**		34,000	10.5	13.00	34,400	3.62	8.0	22,200	2.56
3253199	25HBB336(A,W)30	CNPV*4221A**	58CV(A,X)110-20	34,000	11.5	14.00	34,400	3.66	8.0	21,200	2.60
3253147	25HBB336(A,W)30	CNPV*4221A**	58MEB100-20	33,800	11.5	14.50	34,000	3.70	8.1	21,000	2.62
3253196	25HBB336(A,W)30	CNPV*4221A**	58MV(B,C)080-14	33,600	11.5	14.00	34,400	3.60	7.9	22,200	2.52
3253197	25HBB336(A,W)30	CNPV*4221A**	58MV(B,C)080-20	33,800	11.5	14.00	34,400	3.60	8.0	21,200	2.56
3253198	25HBB336(A,W)30	CNPV*4221A**	58MV(B,C)100-20	33,800	11.5	14.00	34,400	3.64	8.0	21,200	2.58
3253108	25HBB336(A,W)30	CNPV*4221A**	58PH*090-16	34,200	11.5	14.50	34,400	3.70	7.9	21,200	2.62
3407960	25HBB336(A,W)30	CNPV*4221A**	58VLR120-20	33,800	11.5	14.00	34,600	3.70	8.1	21,000	2.62
3407959	25HBB336(A,W)30	CNPV*4221A**	58VMR120-20	33,600	11.5	14.00	34,600	3.66	8.0	21,200	2.58
3253195	25HBB336(A,W)30	CNPV*4221A**+TDR		34,000	10.8	13.00	35,000	3.60	7.9	21,000	2.56
3253232	25HBB336(A,W)30	CSPH*3612A**	58CV(A,X)070-12	34,200	11.5	14.00	34,200	3.70	8.1	21,200	2.62
3253233	25HBB336(A,W)30	CSPH*3612A**	58CV(A,X)090-16	34,400	11.7	14.50	34,000	3.68	8.1	21,400	2.60
3253234	25HBB336(A,W)30	CSPH*3612A**	58CV(A,X)110-20	34,400	11.7	14.50	34,000	3.72	8.2	21,200	2.64
3253235	25HBB336(A,W)30	CSPH*3612A**	58CV(A,X)135-22	34,400	11.7	14.50	34,000	3.72	8.2	21,200	2.64
3253236	25HBB336(A,W)30	CSPH*3612A**	58CV(A,X)155-22	34,400	11.7	14.50	34,000	3.74	8.2	21,200	2.64
3407976	25HBB336(A,W)30	CSPH*3612A**	58HDV040-12	33,800	11.0	13.20	34,800	3.64	7.9	21,800	2.54
3407977	25HBB336(A,W)30	CSPH*3612A**	58HDV060-12	34,200	11.2	13.50	34,800	3.72	8.1	21,800	2.60
3407978	25HBB336(A,W)30	CSPH*3612A**	58HDV080-20	34,600	11.2	13.50	34,800	3.82	8.2	21,800	2.66
3407979	25HBB336(A,W)30	CSPH*3612A**	58HDV100-20	34,400	11.5	14.00	34,600	3.80	8.2	21,400	2.66
3253158	25HBB336(A,W)30	CSPH*3612A**	58MEB040-12	34,400	11.5	14.50	33,800	3.76	8.1	21,400	2.66
3253159	25HBB336(A,W)30	CSPH*3612A**	58MEB060-12	34,400	11.5	14.50	33,800	3.76	8.1	21,400	2.66
3253160	25HBB336(A,W)30	CSPH*3612A**	58MEB080-12	34,400	11.5	14.50	33,800	3.74	8.1	21,400	2.64
3253161	25HBB336(A,W)30	CSPH*3612A**	58MEB080-16	34,400	11.5	14.00	33,800	3.76	8.1	21,400	2.66
3253162	25HBB336(A,W)30	CSPH*3612A**	58MEB100-20	34,200	11.5	14.50	33,800	3.74	8.1	21,200	2.66
3253227	25HBB336(A,W)30	CSPH*3612A**	58MV(B,C)060-14	34,200	11.5	14.00	34,200	3.66	8.1	21,400	2.60
3253228	25HBB336(A,W)30	CSPH*3612A**	58MV(B,C)080-14	34,000	11.5	14.00	34,200	3.70	8.0	21,200	2.62
3253229	25HBB336(A,W)30	CSPH*3612A**	58MV(B,C)080-20	34,200	11.5	14.00	34,200	3.66	8.1	21,400	2.60
3253230	25HBB336(A,W)30	CSPH*3612A**	58MV(B,C)100-20	34,200	11.5	14.00	34,000	3.70	8.1	21,200	2.62
3253118	25HBB336(A,W)30	CSPH*3612A**	58PH*045-08	34,200	11.0	13.50	34,400	3.64	7.9	21,800	2.56
3253119	25HBB336(A,W)30	CSPH*3612A**	58PH*070-16	34,200	11.2	14.00	34,200	3.68	7.9	21,600	2.60
3253120	25HBB336(A,W)30	CSPH*3612A**	58PH*090-16	34,600	11.5	14.50	34,000	3.76	8.2	21,200	2.66
3253121	25HBB336(A,W)30	CSPH*3612A**	58PH*110-20	34,600	11.5	14.50	34,000	3.80	8.2	21,400	2.68
3407983	25HBB336(A,W)30	CSPH*3612A**	58VLR120-20	34,000	11.5	14.00	34,400	3.76	8.1	21,200	2.64
3407980	25HBB336(A,W)30	CSPH*3612A**	58VMR105-12	34,000	11.5	14.00	34,600	3.68	8.0	21,200	2.60
3407982	25HBB336(A,W)30	CSPH*3612A**	58VMR120-20	34,000	11.5	14.00	34,400	3.72	8.1	21,200	2.62
3253225	25HBB336(A,W)30	CSPH*3612A**+TDR		34,400	11.0	13.20	34,600	3.54	8.0	22,000	2.50
3253244	25HBB336(A,W)30	CSPH*4212A**	58CV(A,X)070-12	34,400	11.5	14.00	33,800	3.72	8.1	21,200	2.64
3253246	25HBB336(A,W)30	CSPH*4212A**	58CV(A,X)110-20	34,600	11.7	14.50	33,800	3.74	8.2	21,200	2.66
3253247	25HBB336(A,W)30	CSPH*4212A**	58CV(A,X)135-22	34,600	11.7	14.50	33,600	3.76	8.2	21,200	2.66
3253248	25HBB336(A,W)30	CSPH*4212A**	58CV(A,X)155-22	34,600	11.7	14.50	33,600	3.76	8.3	21,200	2.66
3407984	25HBB336(A,W)30	CSPH*4212A**	58HDV040-12	34,000	11.0	13.20	34,000	3.66	8.0	21,800	2.56
3407986	25HBB336(A,W)30	CSPH*4212A**	58HDV080-20	35,000	11.5	14.00	34,000	3.84	8.1	21,800	2.68
3407987	25HBB336(A,W)30	CSPH*4212A**	58HDV100-20	34,800	11.5	14.00	34,000	3.82	8.3	21,600	2.68
3253163	25HBB336(A,W)30	CSPH*4212A**	58MEB040-12	34,600	11.5	14.50	33,600	3.78	8.1	21,400	2.68
3253164	25HBB336(A,W)30	CSPH*4212A**	58MEB060-12	34,600	11.5	14.50	33,600	3.80	8.1	21,400	2.68
3253165	25HBB336(A,W)30	CSPH*4212A**	58MEB080-12	34,600	11.5	14.50	33,600	3.78	8.1	21,400	2.68
3253166	25HBB336(A,W)30	CSPH*4212A**	58MEB080-16	34,600	11.5	14.50	33,600	3.78	8.1	21,400	2.68
3253167	25HBB336(A,W)30	CSPH*4212A**	58MEB100-20	34,600	12.0	14.50	33,200	3.78	8.1	21,200	2.68
3253238	25HBB336(A,W)30	CSPH*4212A**	58MV(B,C)040-14	34,400	11.5	14.00	33,800	3.64	8.1	22,200	2.58
3253239	25HBB336(A,W)30	CSPH*4212A**	58MV(B,C)060-14	34,400	11.7	14.50	33,800	3.68	8.2	21,400	2.62
3253240	25HBB336(A,W)30	CSPH*4212A**	58MV(B,C)080-14	34,400	11.5	14.00	34,000	3.72	8.1	21,200	2.64
3253241	25HBB336(A,W)30	CSPH*4212A**	58MV(B,C)080-20	34,400	11.5	14.00	33,800	3.68	8.1	21,400	2.60
3253242	25HBB336(A,W)30	CSPH*4212A**	58MV(B,C)100-20	34,600	11.7	14.50	33,800	3.72	8.2	21,200	2.64
3253243	25HBB336(A,W)30	CSPH*4212A**	58MV(B,C)120-20	34,400	11.7	14.50	33,800	3.72	8.2	21,200	2.64
3253122	25HBB336(A,W)30	CSPH*4212A**	58PH*045-08	34,400	11.0	13.50	34,200	3.66	8.2	21,800	2.58
3253123	25HBB336(A,W)30	CSPH*4212A**	58PH*070-16	34,600	11.5	14.00	33,800	3.70	8.2	21,600	2.62
3253124	25HBB336(A,W)30	CSPH*4212A**	58PH*090-16	34,800	11.5	14.50	33,600	3.80	8.2	21,400	2.68
3253125	25HBB336(A,W)30	CSPH*4212A**	58PH*110-20	34,800	11.5	14.50	33,600	3.82	8.2	21,400	2.70
3407989	25HBB336(A,W)30	CSPH*4212A**	58VLR105-12	34,400	11.5	14.00	34,000	3.78	8.1	21,400	2.64
3407991	25HBB336(A,W)30	CSPH*4212A**	58VLR120-20	34,400	12.0	14.50	34,000	3.78	8.1	21,200	2.66
3407988	25HBB336(A,W)30	CSPH*4212A**	58VMR105-12	34,200	11.5	14.00	34,000	3.70	8.1	21,200	2.62
3407990	25HBB336(A,W)30	CSPH*4212A**	58VMR120-20	34,400	11.5	14.00	34,000	3.74	8.1	21,200	2.64
3253237	25HBB336(A,W)30	CSPH*4212A**+TDR		34,600	11.0	13.20	34,200	3.76	8.0	21,200	2.66
3253250	25HBB336(A,W)30	FF1ENP036		33,600	10.5	13.00	35,200	3.54	7.7	22,200	2.52
3463931	25HBB336(A,W)30	FF1ENP037		33,400	11.5	13.50	34,600	3.60	7.8	21,200	2.56
3506984	25HBB336A50	FV4BN(B,F)003		34,000	11.7	14.50	34,400	3.66	8.1	21,200	2.58
3506994	25HBB336A50	FV4CN(B,F)003		34,000	11.7	14.50	34,400	3.66	8.1	21,200	2.58
3507004	25HBB336A50	FX4CN(B,F)036		34,200	11.2	14.00	34,000	3.70	7.9	21,600	2.60
3507006	25HBB336A50	FX4CN(B,F)042		34,800	11.2	14.00	33,800	3.70	8.2	21,800	2.64

25HBB3

See notes on page 34

# COMBINATION RATINGS CONTINUED

ARI Ref. No.	Model Number	Coil Model Number	Furnace Model Number	Cooling Capacity	EER	SEER	High Temp		HSPF	Low Temp	
							E Capacity	E COP		H Capacity	H COP
3507019	25HBB336A50	FY4ANF042		34,200	10.8	13.00	34,200	3.78	7.9	21,200	2.68
3506190	25HBB336A50	CAP**3614A**	58CV(A,X)070-12	33,400	11.2	13.50	34,600	3.56	7.8	21,200	2.54
3506709	25HBB336A50	CAP**3614A**	58PH*045-08	33,200	10.8	13.00	34,800	3.50	7.7	21,600	2.50
3506904	25HBB336A50	CAP**3614A**+TDR		33,400	10.8	13.00	35,000	3.52	7.7	21,800	2.48
3506206	25HBB336A50	CAP**3617A**	58CV(A,X)090-16	33,600	11.5	14.00	34,400	3.62	7.9	21,000	2.58
3506407	25HBB336A50	CAP**3617A**	58MEB040-12	33,600	11.5	14.00	34,200	3.66	8.0	21,200	2.60
3506451	25HBB336A50	CAP**3617A**	58MEB080-12	33,600	11.5	14.00	34,200	3.64	8.0	21,200	2.58
3506473	25HBB336A50	CAP**3617A**	58MEB080-16	33,600	11.0	14.00	34,200	3.64	8.0	21,200	2.58
3506907	25HBB336A50	CAP**3617A**+TDR		33,600	10.5	13.00	35,200	3.54	7.8	22,000	2.50
3506343	25HBB336A50	CAP**3619A**	58HDV060-12	33,400	11.0	13.20	34,800	3.60	7.9	21,600	2.54
3506238	25HBB336A50	CAP**3621A**	58CV(A,X)110-20	33,800	11.5	14.00	34,400	3.64	8.0	21,000	2.60
3506503	25HBB336A50	CAP**3621A**	58MEB100-20	33,600	11.5	14.50	34,000	3.68	8.0	21,000	2.62
3506572	25HBB336A50	CAP**3621A**	58MV(B,C)080-14	33,400	11.5	14.00	34,400	3.58	7.8	21,200	2.54
3506594	25HBB336A50	CAP**3621A**	58MV(B,C)080-20	33,600	11.5	14.00	34,400	3.60	7.9	21,000	2.56
3506744	25HBB336A50	CAP**3621A**	58PH*090-16	34,000	11.5	14.00	34,400	3.68	7.9	21,200	2.62
3506779	25HBB336A50	CAP**3621A**	58PH*110-20	34,200	11.5	14.50	34,400	3.72	8.2	21,200	2.64
3506847	25HBB336A50	CAP**3621A**	58VLR120-20	33,600	11.5	14.00	34,400	3.66	8.0	21,000	2.60
3506885	25HBB336A50	CAP**3621A**	58VMR120-20	33,400	11.5	14.00	34,600	3.62	7.9	21,000	2.58
3506910	25HBB336A50	CAP**3621A**+TDR		33,600	10.5	13.00	35,200	3.54	7.8	22,000	2.50
3506240	25HBB336A50	CAP**4221A**	58CV(A,X)110-20	34,000	11.5	14.00	34,200	3.68	8.0	21,000	2.62
3506505	25HBB336A50	CAP**4221A**	58MEB100-20	34,000	11.5	14.50	33,800	3.72	8.1	21,000	2.64
3506574	25HBB336A50	CAP**4221A**	58MV(B,C)080-14	33,600	11.5	14.00	34,200	3.60	7.9	21,200	2.56
3506596	25HBB336A50	CAP**4221A**	58MV(B,C)080-20	33,800	11.5	14.00	34,200	3.64	8.0	21,200	2.58
3506746	25HBB336A50	CAP**4221A**	58PH*090-16	34,200	11.5	14.50	34,200	3.72	8.2	21,200	2.64
3506781	25HBB336A50	CAP**4221A**	58PH*110-20	34,400	11.5	14.50	34,200	3.76	8.2	21,200	2.66
3506849	25HBB336A50	CAP**4221A**	58VLR120-20	33,800	11.5	14.00	34,400	3.70	8.1	21,000	2.62
3506887	25HBB336A50	CAP**4221A**	58VMR120-20	33,600	11.5	14.00	34,000	3.66	8.0	21,000	2.60
3506912	25HBB336A50	CAP**4221A**+TDR		33,800	10.8	13.00	35,000	3.58	7.9	22,200	2.52
3506301	25HBB336A50	CAP**4224A**	58CV(A,X)155-22	34,000	11.5	14.00	34,000	3.70	8.1	21,000	2.62
3506665	25HBB336A50	CAP**4224A**	58MV(B,C)120-20	33,800	11.5	14.00	34,200	3.66	8.0	21,000	2.60
3506695	25HBB336A50	CAP**4224A**	58MVB040-14	33,800	11.5	14.00	34,200	3.62	7.9	21,200	2.58
3506914	25HBB336A50	CAP**4224A**+TDR		33,800	10.8	13.00	35,000	3.58	7.9	22,200	2.52
3506927	25HBB336A50	CNPF*3618A**+TDR		33,600	10.5	13.00	35,400	3.72	7.8	21,000	2.62
3506194	25HBB336A50	CNPH*3617A**	58CV(A,X)070-12	33,400	11.2	13.50	34,600	3.58	7.8	21,000	2.54
3506213	25HBB336A50	CNPH*3617A**	58CV(A,X)090-16	33,600	11.5	14.00	34,600	3.56	7.9	21,200	2.54
3506248	25HBB336A50	CNPH*3617A**	58CV(A,X)110-20	33,600	11.5	14.00	34,600	3.60	7.9	21,000	2.56
3506309	25HBB336A50	CNPH*3617A**	58CV(A,X)155-22	33,600	11.5	14.00	34,400	3.60	7.9	21,000	2.56
3506361	25HBB336A50	CNPH*3617A**	58HDV080-20	33,600	11.2	13.50	34,800	3.66	8.0	21,600	2.58
3506383	25HBB336A50	CNPH*3617A**	58HDV100-20	33,400	11.2	13.50	35,000	3.64	7.9	21,200	2.58
3506578	25HBB336A50	CNPH*3617A**	58MV(B,C)080-14	33,200	11.2	13.50	34,600	3.58	7.7	21,200	2.54
3506604	25HBB336A50	CNPH*3617A**	58MV(B,C)080-20	33,400	11.5	14.00	34,600	3.54	7.8	21,200	2.52
3506673	25HBB336A50	CNPH*3617A**	58MV(B,C)120-20	33,400	11.5	14.00	34,600	3.58	7.8	21,200	2.56
3506711	25HBB336A50	CNPH*3617A**	58PH*045-08	33,200	10.8	13.00	35,000	3.50	7.7	21,600	2.48
3506725	25HBB336A50	CNPH*3617A**	58PH*070-16	33,400	11.2	13.50	34,800	3.54	7.7	21,400	2.52
3506787	25HBB336A50	CNPH*3617A**	58PH*110-20	33,800	11.5	14.00	34,600	3.64	7.9	21,200	2.58
3506831	25HBB336A50	CNPH*3617A**	58VLR105-12	33,400	11.2	13.50	35,000	3.60	7.9	21,400	2.54
3506851	25HBB336A50	CNPH*3617A**	58VLR120-20	33,400	11.5	14.00	34,600	3.62	7.9	21,000	2.58
3506869	25HBB336A50	CNPH*3617A**	58VMR105-12	33,000	11.2	13.50	34,800	3.54	7.7	21,200	2.52
3506933	25HBB336A50	CNPH*3617A**+TDR		33,600	10.5	13.00	35,400	3.68	7.8	21,200	2.60
3506281	25HBB336A50	CNPH*4221A**	58CV(A,X)135-22	34,000	11.5	14.00	34,200	3.68	8.0	21,200	2.60
3506334	25HBB336A50	CNPH*4221A**	58HDV040-12	33,000	11.0	13.20	35,200	3.58	7.8	21,800	2.52
3506349	25HBB336A50	CNPH*4221A**	58HDV060-12	33,800	11.2	13.50	35,000	3.66	8.0	21,600	2.56
3506363	25HBB336A50	CNPH*4221A**	58HDV080-20	34,200	11.2	13.50	35,000	3.76	8.1	21,600	2.62
3506385	25HBB336A50	CNPH*4221A**	58HDV100-20	34,000	11.2	13.50	34,800	3.74	8.1	21,400	2.62
3506413	25HBB336A50	CNPH*4221A**	58MEB040-12	34,000	11.5	14.00	34,200	3.70	8.1	21,200	2.62
3506435	25HBB336A50	CNPH*4221A**	58MEB060-12	34,000	11.5	14.00	34,200	3.70	8.1	21,400	2.62
3506457	25HBB336A50	CNPH*4221A**	58MEB080-12	33,800	11.5	14.00	34,200	3.70	8.1	21,200	2.62
3506557	25HBB336A50	CNPH*4221A**	58MV(B,C)060-14	33,800	11.5	14.00	34,400	3.62	8.0	21,200	2.56
3506606	25HBB336A50	CNPH*4221A**	58MV(B,C)080-20	33,800	11.5	14.00	34,400	3.60	8.0	21,200	2.56
3506713	25HBB336A50	CNPH*4221A**	58PH*045-08	33,800	11.0	13.50	34,800	3.58	7.8	21,600	2.54
3506756	25HBB336A50	CNPH*4221A**	58PH*090-16	34,200	11.5	14.50	34,400	3.70	7.9	21,200	2.62
3506853	25HBB336A50	CNPH*4221A**	58VLR120-20	33,800	11.5	14.00	34,600	3.70	8.1	21,000	2.62
3506871	25HBB336A50	CNPH*4221A**	58VMR105-12	33,400	11.2	13.50	34,600	3.62	7.9	21,200	2.56
3506935	25HBB336A50	CNPH*4221A**+TDR		34,000	10.8	13.00	35,000	3.62	7.9	21,000	2.58
3506223	25HBB336A50	CNPV*3617A**	58CV(A,X)090-16	33,600	11.5	14.00	34,600	3.58	7.9	21,200	2.54
3506417	25HBB336A50	CNPV*3617A**	58MEB040-12	33,200	11.5	14.00	34,400	3.62	7.9	21,200	2.56
3506439	25HBB336A50	CNPV*3617A**	58MEB060-12	33,200	11.2	14.00	34,400	3.62	7.9	21,200	2.56
3506461	25HBB336A50	CNPV*3617A**	58MEB080-12	33,200	11.2	14.00	34,400	3.60	7.9	21,200	2.56
3506733	25HBB336A50	CNPV*3617A**	58PH*070-16	33,400	11.2	13.50	34,800	3.54	7.9	21,400	2.52
3506875	25HBB336A50	CNPV*3617A**	58VMR105-12	33,000	11.2	13.50	34,800	3.54	7.7	21,200	2.52
3506944	25HBB336A50	CNPV*3617A**+TDR		33,600	10.5	13.00	35,400	3.72	7.8	21,000	2.64
3506257	25HBB336A50	CNPV*3621A**	58CV(A,X)110-20	33,600	11.5	14.00	34,600	3.58	7.9	21,200	2.56
3506583	25HBB336A50	CNPV*3621A**	58MV(B,C)080-14	33,200	11.2	13.50	34,600	3.54	7.7	22,000	2.50
3506649	25HBB336A50	CNPV*3621A**	58MV(B,C)100-20	33,400	11.5	14.00	34,600	3.58	7.8	21,200	2.54
3506763	25HBB336A50	CNPV*3621A**	58PH*090-16	33,800	11.5	14.00	34,600	3.62	7.9	21,200	2.58
3506795	25HBB336A50	CNPV*3621A**	58PH*110-20	33,800	11.5	14.00	34,600	3.64	7.9	21,200	2.60
3506893	25HBB336A50	CNPV*3621A**	58VMR120-20	33,200	11.2	13.50	34,800	3.58	7.8	21,000	2.54
3506947	25HBB336A50	CNPV*3621A**+TDR		33,600	10.5	13.00	35,400	3.60	7.8	21,000	2.56
3506225	25HBB336A50	CNPV*4217A**	58CV(A,X)090-16	34,000	11.5	14.50	33,800	3.70	8.1	21,200	2.62
3506419	25HBB336A50	CNPV*4217A**	58MEB040-12	34,200	11.5	14.50	33,800	3.74	8.2	21,400	2.64

25HBB3

# COMBINATION RATINGS CONTINUED

25HBB3

ARI Ref. No.	Model Number	Coil Model Number	Furnace Model Number	Cooling Capacity	EER	SEER	High Temp		HSPF	Low Temp	
							E Capacity	E COP		H Capacity	H COP
3506463	25HBB336A50	CNPV*4217A**	58MEB080-12	34,200	11.5	14.00	33,800	3.72	8.1	21,400	2.64
3506839	25HBB336A50	CNPV*4217A**	58VLR105-12	34,000	11.2	13.50	34,600	3.72	8.1	21,400	2.62
3506877	25HBB336A50	CNPV*4217A**	58VMR105-12	33,800	11.5	14.00	34,400	3.66	7.8	21,200	2.58
3506949	25HBB336A50	CNPV*4217A**+TDR		34,000	10.5	13.00	34,400	3.62	8.0	22,200	2.56
3506259	25HBB336A50	CNPV*4221A**	58CV(A,X)110-20	34,000	11.5	14.00	34,400	3.66	8.0	21,200	2.60
3506521	25HBB336A50	CNPV*4221A**	58MEB100-20	33,800	11.5	14.50	34,000	3.70	8.1	21,000	2.62
3506615	25HBB336A50	CNPV*4221A**	58MV(B,C)080-20	33,800	11.5	14.00	34,400	3.60	8.0	21,200	2.56
3506651	25HBB336A50	CNPV*4221A**	58MV(B,C)100-20	33,800	11.5	14.00	34,400	3.64	8.0	21,200	2.58
3506765	25HBB336A50	CNPV*4221A**	58PH*090-16	34,200	11.5	14.50	34,400	3.70	7.9	21,200	2.62
3506797	25HBB336A50	CNPV*4221A**	58PH*110-20	34,200	11.5	14.50	34,200	3.74	8.2	21,200	2.64
3506857	25HBB336A50	CNPV*4221A**	58VLR120-20	33,800	11.5	14.00	34,600	3.70	8.1	21,000	2.62
3506951	25HBB336A50	CNPV*4221A**+TDR		34,000	10.8	13.00	35,000	3.60	7.9	21,000	2.56
3506201	25HBB336A50	CSPH*3612A**	58CV(A,X)070-12	34,200	11.5	14.00	34,200	3.70	8.1	21,200	2.62
3506323	25HBB336A50	CSPH*3612A**	58CV(A,X)155-22	34,400	11.7	14.50	34,000	3.74	8.2	21,200	2.64
3506338	25HBB336A50	CSPH*3612A**	58HDV040--12	33,800	11.0	13.20	34,800	3.64	7.9	21,800	2.54
3506423	25HBB336A50	CSPH*3612A**	58MEB040-12	34,400	11.5	14.50	33,800	3.76	8.1	21,400	2.66
3506495	25HBB336A50	CSPH*3612A**	58MEB080-16	34,400	11.5	14.00	33,800	3.76	8.1	21,400	2.66
3506589	25HBB336A50	CSPH*3612A**	58MV(B,C)080-14	34,000	11.5	14.00	34,200	3.70	8.0	21,200	2.62
3506621	25HBB336A50	CSPH*3612A**	58MV(B,C)080-20	34,200	11.5	14.00	34,200	3.66	8.1	21,400	2.60
3506657	25HBB336A50	CSPH*3612A**	58MV(B,C)100-20	34,200	11.5	14.00	34,000	3.70	8.1	21,200	2.62
3506687	25HBB336A50	CSPH*3612A**	58MV(B,C)120-20	34,200	11.5	14.00	34,000	3.70	8.1	21,200	2.62
3506705	25HBB336A50	CSPH*3612A**	58MVB040-14	34,200	11.5	14.00	34,200	3.64	8.0	22,200	2.56
3506715	25HBB336A50	CSPH*3612A**	58PH*045-08	34,200	11.0	13.50	34,400	3.64	7.9	21,800	2.56
3506771	25HBB336A50	CSPH*3612A**	58PH*090-16	34,600	11.5	14.50	34,000	3.76	8.2	21,200	2.66
3506801	25HBB336A50	CSPH*3612A**	58PH*110-20	34,600	11.5	14.50	34,000	3.80	8.2	21,400	2.68
3506843	25HBB336A50	CSPH*3612A**	58VLR105-12	34,000	11.2	13.50	34,600	3.74	8.1	21,400	2.62
3506859	25HBB336A50	CSPH*3612A**	58VLR120-20	34,000	11.5	14.00	34,400	3.76	8.1	21,200	2.64
3506881	25HBB336A50	CSPH*3612A**	58VMR105-12	34,000	11.5	14.00	34,600	3.68	8.0	21,200	2.60
3506961	25HBB336A50	CSPH*3612A**+TDR		34,400	11.0	13.20	34,600	3.54	8.0	22,000	2.50
3506231	25HBB336A50	CSPH*4212A**	58CV(A,X)090-16	34,600	11.7	14.50	33,800	3.70	8.2	21,400	2.62
3506267	25HBB336A50	CSPH*4212A**	58CV(A,X)110-20	34,600	11.7	14.50	33,800	3.74	8.2	21,200	2.66
3506340	25HBB336A50	CSPH*4212A**	58HDV040--12	34,000	11.0	13.20	34,000	3.66	8.0	21,800	2.56
3506355	25HBB336A50	CSPH*4212A**	58HDV060--12	34,400	11.2	13.50	34,000	3.74	8.1	21,800	2.62
3506373	25HBB336A50	CSPH*4212A**	58HDV080--20	35,000	11.5	14.00	34,000	3.84	8.1	21,800	2.68
3506399	25HBB336A50	CSPH*4212A**	58HDV100--20	34,800	11.5	14.00	34,000	3.82	8.3	21,600	2.68
3506425	25HBB336A50	CSPH*4212A**	58MEB040-12	34,600	11.5	14.50	33,600	3.78	8.1	21,400	2.68
3506447	25HBB336A50	CSPH*4212A**	58MEB060-12	34,600	11.5	14.50	33,600	3.80	8.1	21,400	2.68
3506469	25HBB336A50	CSPH*4212A**	58MEB080-12	34,600	11.5	14.50	33,600	3.78	8.1	21,400	2.68
3506497	25HBB336A50	CSPH*4212A**	58MEB080-16	34,600	11.5	14.50	33,600	3.78	8.1	21,400	2.68
3506527	25HBB336A50	CSPH*4212A**	58MEB100-20	34,600	12.0	14.50	33,200	3.78	8.1	21,200	2.68
3506591	25HBB336A50	CSPH*4212A**	58MV(B,C)080-14	34,400	11.5	14.00	34,000	3.72	8.1	21,200	2.64
3506623	25HBB336A50	CSPH*4212A**	58MV(B,C)080-20	34,400	11.5	14.00	33,800	3.68	8.1	21,400	2.60
3506689	25HBB336A50	CSPH*4212A**	58MV(B,C)120-20	34,400	11.7	14.50	33,800	3.72	8.2	21,200	2.64
3506707	25HBB336A50	CSPH*4212A**	58MVB040-14	34,400	11.5	14.00	33,800	3.64	8.1	22,200	2.58
3506717	25HBB336A50	CSPH*4212A**	58PH*045-08	34,400	11.0	13.50	34,200	3.66	8.2	21,800	2.58
3506741	25HBB336A50	CSPH*4212A**	58PH*070-16	34,600	11.5	14.00	33,800	3.70	8.2	21,600	2.62
3506773	25HBB336A50	CSPH*4212A**	58PH*090-16	34,800	11.5	14.50	33,600	3.80	8.2	21,400	2.68
3506861	25HBB336A50	CSPH*4212A**	58VLR120-20	34,400	12.0	14.50	34,000	3.78	8.1	21,200	2.66
3506883	25HBB336A50	CSPH*4212A**	58VMR105-12	34,200	11.5	14.00	34,000	3.70	8.1	21,200	2.62
3506899	25HBB336A50	CSPH*4212A**	58VMR120-20	34,400	11.5	14.00	34,000	3.74	8.1	21,200	2.64
3506963	25HBB336A50	CSPH*4212A**+TDR		34,600	11.0	13.20	34,200	3.76	8.0	21,200	2.66
3507018	25HBB336A60	†FY4ANF036		33,800	10.5	13.00	35,400	3.54	7.8	22,200	2.48
3506979	25HBB336A60	FF1ENP036		33,600	10.5	13.00	35,200	3.54	7.7	22,200	2.52
3506982	25HBB336A60	FF1ENP037		33,400	11.5	13.50	34,600	3.60	7.8	21,200	2.56
3506985	25HBB336A60	FV4BN(B,F)003		34,000	11.7	14.50	34,400	3.66	8.1	21,200	2.58
3506992	25HBB336A60	FV4BNF002		33,600	11.5	14.00	34,800	3.50	8.0	22,000	2.48
3506995	25HBB336A60	FV4CN(B,F)003		34,000	11.7	14.50	34,400	3.66	8.1	21,200	2.58
3507005	25HBB336A60	FX4CN(B,F)036		34,200	11.2	14.00	34,000	3.70	7.9	21,600	2.60
3507007	25HBB336A60	FX4CN(B,F)042		34,800	11.2	14.00	33,800	3.70	8.2	21,800	2.64
3506710	25HBB336A60	CAP**3614A**	58PH*045-08	33,200	10.8	13.00	34,800	3.50	7.7	21,600	2.50
3506905	25HBB336A60	CAP**3614A**+TDR		33,400	10.8	13.00	35,000	3.52	7.7	21,800	2.48
3506408	25HBB336A60	CAP**3617A**	58MEB040-12	33,600	11.5	14.00	34,200	3.66	8.0	21,200	2.60
3506452	25HBB336A60	CAP**3617A**	58MEB080-12	33,600	11.5	14.00	34,200	3.64	8.0	21,200	2.58
3506474	25HBB336A60	CAP**3617A**	58MEB080-16	33,600	11.0	14.00	34,200	3.64	8.0	21,200	2.58
3506722	25HBB336A60	CAP**3617A**	58PH*070-16	33,600	11.2	13.50	34,600	3.58	7.8	21,400	2.54
3506866	25HBB336A60	CAP**3617A**	58VMR105-12	33,200	11.2	13.50	34,600	3.56	7.8	21,000	2.54
3506908	25HBB336A60	CAP**3617A**+TDR		33,600	10.5	13.00	35,200	3.54	7.8	22,000	2.50
3506239	25HBB336A60	CAP**3621A**	58CV(A,X)110-20	33,800	11.5	14.00	34,400	3.64	8.0	21,000	2.60
3506573	25HBB336A60	CAP**3621A**	58MV(B,C)080-14	33,400	11.5	14.00	34,400	3.58	7.8	21,200	2.54
3506595	25HBB336A60	CAP**3621A**	58MV(B,C)080-20	33,600	11.5	14.00	34,400	3.60	7.9	21,000	2.56
3506631	25HBB336A60	CAP**3621A**	58MV(B,C)100-20	33,600	11.5	14.00	34,400	3.62	7.9	21,000	2.58
3506745	25HBB336A60	CAP**3621A**	58PH*090-16	34,000	11.5	14.00	34,400	3.68	7.9	21,200	2.62
3506780	25HBB336A60	CAP**3621A**	58PH*110-20	34,200	11.5	14.50	34,400	3.72	8.2	21,200	2.64
3506848	25HBB336A60	CAP**3621A**	58VLR120-20	33,600	11.5	14.00	34,400	3.66	8.0	21,000	2.60
3506911	25HBB336A60	CAP**3621A**+TDR		33,600	10.5	13.00	35,200	3.54	7.8	22,000	2.50
3506241	25HBB336A60	CAP**4221A**	58CV(A,X)110-20	34,000	11.5	14.00	34,200	3.68	8.0	21,000	2.62
3506506	25HBB336A60	CAP**4221A**	58MEB100-20	34,000	11.5	14.50	33,800	3.72	8.1	21,000	2.64
3506575	25HBB336A60	CAP**4221A**	58MV(B,C)080-14	33,600	11.5	14.00	34,200	3.60	7.9	21,200	2.56
3506597	25HBB336A60	CAP**4221A**	58MV(B,C)080-20	33,800	11.5	14.00	34,200	3.64	8.0	21,200	2.58

See notes on page 34

# COMBINATION RATINGS CONTINUED

ARI Ref. No.	Model Number	Coil Model Number	Furnace Model Number	Cooling Capacity	EER	SEER	High Temp		HSPF	Low Temp	
							E Capacity	E COP		H Capacity	H COP
3506633	25HBB336A60	CAP**4221A**	58MV(B,C)100-20	33,800	11.5	14.00	34,200	3.66	8.0	21,200	2.60
3506850	25HBB336A60	CAP**4221A**	58VLR120-20	33,800	11.5	14.00	34,400	3.70	8.1	21,000	2.62
3506913	25HBB336A60	CAP**4221A**+TDR		33,800	10.8	13.00	35,000	3.58	7.9	22,200	2.52
3506666	25HBB336A60	CAP**4224A**	58MV(B,C)120-20	33,800	11.5	14.00	34,200	3.66	8.0	21,000	2.60
3506915	25HBB336A60	CAP**4224A**+TDR		33,800	10.8	13.00	35,000	3.58	7.9	22,200	2.52
3506928	25HBB336A60	CNPF*3618A**+TDR		33,600	10.5	13.00	35,400	3.72	7.8	21,000	2.62
3506195	25HBB336A60	CNPH*3617A**	58CV(A,X)070-12	33,400	11.2	13.50	34,600	3.58	7.8	21,000	2.54
3506214	25HBB336A60	CNPH*3617A**	58CV(A,X)090-16	33,600	11.5	14.00	34,600	3.56	7.9	21,200	2.54
3506280	25HBB336A60	CNPH*3617A**	58CV(A,X)135-22	33,600	11.5	14.00	34,400	3.60	7.9	21,200	2.56
3506310	25HBB336A60	CNPH*3617A**	58CV(A,X)155-22	33,600	11.5	14.00	34,400	3.60	7.9	21,000	2.56
3506348	25HBB336A60	CNPH*3617A**	58HDV060--12	33,200	11.0	13.20	35,200	3.56	7.8	21,600	2.52
3506434	25HBB336A60	CNPH*3617A**	58MEB060-12	33,200	11.5	14.00	34,400	3.62	7.9	21,200	2.56
3506456	25HBB336A60	CNPH*3617A**	58MEB080-12	33,200	11.5	14.00	34,400	3.60	7.9	21,200	2.56
3506512	25HBB336A60	CNPH*3617A**	58MEB100-20	33,400	11.5	14.00	34,200	3.58	7.9	21,000	2.56
3506556	25HBB336A60	CNPH*3617A**	58MV(B,C)060-14	33,400	11.5	14.00	34,600	3.54	7.8	21,200	2.52
3506579	25HBB336A60	CNPH*3617A**	58MV(B,C)080-14	33,200	11.2	13.50	34,600	3.58	7.7	21,200	2.54
3506700	25HBB336A60	CNPH*3617A**	58MVB040-14	33,400	11.2	13.50	34,600	3.54	7.8	22,000	2.50
3506726	25HBB336A60	CNPH*3617A**	58PH*070-16	33,400	11.2	13.50	34,800	3.54	7.7	21,400	2.52
3506755	25HBB336A60	CNPH*3617A**	58PH*090-16	33,600	11.5	14.00	34,600	3.62	7.8	21,200	2.58
3506852	25HBB336A60	CNPH*3617A**	58VLR120-20	33,400	11.5	14.00	34,600	3.62	7.9	21,000	2.58
3506870	25HBB336A60	CNPH*3617A**	58VMR105-12	33,000	11.2	13.50	34,800	3.54	7.7	21,200	2.52
3506934	25HBB336A60	CNPH*3617A**+TDR		33,600	10.5	13.00	35,400	3.68	7.8	21,200	2.60
3506197	25HBB336A60	CNPH*4221A**	58CV(A,X)070-12	33,800	11.5	14.00	34,400	3.66	8.0	21,200	2.60
3506216	25HBB336A60	CNPH*4221A**	58CV(A,X)090-16	34,000	11.5	14.00	34,200	3.64	8.0	21,200	2.58
3506282	25HBB336A60	CNPH*4221A**	58CV(A,X)135-22	34,000	11.5	14.00	34,200	3.68	8.0	21,200	2.60
3506312	25HBB336A60	CNPH*4221A**	58CV(A,X)155-22	34,000	11.7	14.50	34,200	3.68	8.1	21,000	2.62
3506350	25HBB336A60	CNPH*4221A**	58HDV060--12	33,800	11.2	13.50	35,000	3.66	8.0	21,600	2.56
3506414	25HBB336A60	CNPH*4221A**	58MEB040-12	34,000	11.5	14.00	34,200	3.70	8.1	21,200	2.62
3506458	25HBB336A60	CNPH*4221A**	58MEB080-12	33,800	11.5	14.00	34,200	3.70	8.1	21,200	2.62
3506482	25HBB336A60	CNPH*4221A**	58MEB080-16	34,000	11.5	14.00	34,200	3.70	8.1	21,400	2.62
3506514	25HBB336A60	CNPH*4221A**	58MEB100-20	33,800	11.5	14.50	34,000	3.70	8.1	21,000	2.62
3506558	25HBB336A60	CNPH*4221A**	58MV(B,C)060-14	33,800	11.5	14.00	34,400	3.62	8.0	21,200	2.56
3506643	25HBB336A60	CNPH*4221A**	58MV(B,C)100-20	33,800	11.5	14.00	34,400	3.64	8.0	21,200	2.58
3506676	25HBB336A60	CNPH*4221A**	58MV(B,C)120-20	33,800	11.5	14.00	34,400	3.66	8.0	21,200	2.60
3506702	25HBB336A60	CNPH*4221A**	58MVB040-14	33,800	11.5	14.00	34,400	3.60	7.9	22,200	2.52
3506714	25HBB336A60	CNPH*4221A**	58PH*045-08	33,800	11.0	13.50	34,800	3.58	7.8	21,600	2.54
3506728	25HBB336A60	CNPH*4221A**	58PH*070-16	33,800	11.0	13.50	34,600	3.62	7.9	21,400	2.56
3506790	25HBB336A60	CNPH*4221A**	58PH*110-20	34,200	11.5	14.50	34,200	3.74	8.2	21,200	2.64
3506872	25HBB336A60	CNPH*4221A**	58VMR105-12	33,400	11.2	13.50	34,600	3.62	7.9	21,200	2.56
3506936	25HBB336A60	CNPH*4221A**+TDR		34,000	10.8	13.00	35,000	3.62	7.9	21,000	2.58
3506462	25HBB336A60	CNPV*3617A**	58MEB080-12	33,200	11.2	14.00	34,400	3.60	7.9	21,200	2.56
3506490	25HBB336A60	CNPV*3617A**	58MEB080-16	33,200	11.2	14.00	34,400	3.60	7.9	21,200	2.56
3506562	25HBB336A60	CNPV*3617A**	58MV(B,C)060-14	33,400	11.5	14.00	34,600	3.54	7.8	22,000	2.50
3506734	25HBB336A60	CNPV*3617A**	58PH*070-16	33,400	11.2	13.50	34,800	3.54	7.9	21,400	2.52
3506876	25HBB336A60	CNPV*3617A**	58VMR105-12	33,000	11.2	13.50	34,800	3.54	7.7	21,200	2.52
3506945	25HBB336A60	CNPV*3617A**+TDR		33,600	10.5	13.00	35,400	3.72	7.8	21,000	2.64
3506258	25HBB336A60	CNPV*3621A**	58CV(A,X)110-20	33,600	11.5	14.00	34,600	3.58	7.9	21,200	2.56
3506614	25HBB336A60	CNPV*3621A**	58MV(B,C)080-20	33,400	11.5	14.00	34,600	3.54	7.8	21,200	2.52
3506796	25HBB336A60	CNPV*3621A**	58PH*110-20	33,800	11.5	14.00	34,600	3.64	7.9	21,200	2.60
3506856	25HBB336A60	CNPV*3621A**	58VLR120-20	33,400	11.5	14.00	34,200	3.62	7.9	21,000	2.58
3506948	25HBB336A60	CNPV*3621A**+TDR		33,600	10.5	13.00	35,400	3.60	7.8	21,000	2.56
3506420	25HBB336A60	CNPV*4217A**	58MEB040-12	34,200	11.5	14.50	33,800	3.74	8.2	21,400	2.64
3506442	25HBB336A60	CNPV*4217A**	58MEB060-12	34,200	11.5	14.00	33,800	3.74	8.0	21,400	2.64
3506464	25HBB336A60	CNPV*4217A**	58MEB080-12	34,200	11.5	14.00	33,800	3.72	8.1	21,400	2.64
3506492	25HBB336A60	CNPV*4217A**	58MEB080-16	34,200	11.5	14.00	33,800	3.74	8.1	21,400	2.64
3506736	25HBB336A60	CNPV*4217A**	58PH*070-16	34,000	11.2	13.50	34,000	3.66	8.0	21,600	2.60
3506840	25HBB336A60	CNPV*4217A**	58VLR105-12	34,000	11.2	13.50	34,600	3.72	8.1	21,400	2.62
3506950	25HBB336A60	CNPV*4217A**+TDR		34,000	10.5	13.00	34,400	3.62	8.0	22,200	2.56
3506616	25HBB336A60	CNPV*4221A**	58MV(B,C)080-20	33,800	11.5	14.00	34,400	3.60	8.0	21,200	2.56
3506652	25HBB336A60	CNPV*4221A**	58MV(B,C)100-20	33,800	11.5	14.00	34,400	3.64	8.0	21,200	2.58
3506766	25HBB336A60	CNPV*4221A**	58PH*090-16	34,200	11.5	14.50	34,400	3.70	7.9	21,200	2.62
3506798	25HBB336A60	CNPV*4221A**	58PH*110-20	34,200	11.5	14.50	34,200	3.74	8.2	21,200	2.64
3506858	25HBB336A60	CNPV*4221A**	58VLR120-20	33,800	11.5	14.00	34,600	3.70	8.1	21,000	2.62
3506896	25HBB336A60	CNPV*4221A**	58VMR120-20	33,600	11.5	14.00	34,600	3.66	8.0	21,200	2.58
3506952	25HBB336A60	CNPV*4221A**+TDR		34,000	10.8	13.00	35,000	3.60	7.9	21,000	2.56
3506202	25HBB336A60	CSPH*3612A**	58CV(A,X)070-12	34,200	11.5	14.00	34,200	3.70	8.1	21,200	2.62
3506230	25HBB336A60	CSPH*3612A**	58CV(A,X)090-16	34,400	11.7	14.50	34,000	3.68	8.1	21,400	2.60
3506266	25HBB336A60	CSPH*3612A**	58CV(A,X)110-20	34,400	11.7	14.50	34,000	3.72	8.2	21,200	2.64
3506294	25HBB336A60	CSPH*3612A**	58CV(A,X)135-22	34,400	11.7	14.50	34,000	3.72	8.2	21,200	2.64
3506324	25HBB336A60	CSPH*3612A**	58CV(A,X)155-22	34,400	11.7	14.50	34,000	3.74	8.2	21,200	2.64
3506339	25HBB336A60	CSPH*3612A**	58HDV040--12	33,800	11.0	13.20	34,800	3.64	7.9	21,800	2.54
3506372	25HBB336A60	CSPH*3612A**	58HDV080--20	34,600	11.2	13.50	34,800	3.82	8.2	21,800	2.66
3506398	25HBB336A60	CSPH*3612A**	58HDV100--20	34,400	11.5	14.00	34,600	3.80	8.2	21,400	2.66
3506424	25HBB336A60	CSPH*3612A**	58MEB040-12	34,400	11.5	14.50	33,800	3.76	8.1	21,400	2.66
3506446	25HBB336A60	CSPH*3612A**	58MEB060-12	34,400	11.5	14.50	33,800	3.76	8.1	21,400	2.66
3506468	25HBB336A60	CSPH*3612A**	58MEB080-12	34,400	11.5	14.50	33,800	3.74	8.1	21,400	2.64
3506496	25HBB336A60	CSPH*3612A**	58MEB080-16	34,400	11.5	14.00	33,800	3.76	8.1	21,400	2.66
3506568	25HBB336A60	CSPH*3612A**	58MV(B,C)060-14	34,200	11.5	14.00	34,200	3.66	8.1	21,400	2.60
3506590	25HBB336A60	CSPH*3612A**	58MV(B,C)080-14	34,000	11.5	14.00	34,200	3.70	8.0	21,200	2.62
3506658	25HBB336A60	CSPH*3612A**	58MV(B,C)100-20	34,200	11.5	14.00	34,000	3.70	8.1	21,200	2.62

25HBB3

See notes on page 34

# COMBINATION RATINGS CONTINUED

ARI Ref. No.	Model Number	Coil Model Number	Furnace Model Number	Cooling Capacity	EER	SEER	High Temp		HSPF	Low Temp	
							E Capacity	E COP		H Capacity	H COP
3506740	25HBB336A60	CSPH*3612A**	58PH*070-16	34,200	11.2	14.00	34,200	3.68	7.9	21,600	2.60
3506772	25HBB336A60	CSPH*3612A**	58PH*090-16	34,600	11.5	14.50	34,000	3.76	8.2	21,200	2.66
3506844	25HBB336A60	CSPH*3612A**	58VLR105-12	34,000	11.2	13.50	34,600	3.74	8.1	21,400	2.62
3506882	25HBB336A60	CSPH*3612A**	58VLR105-12	34,000	11.5	14.00	34,600	3.68	8.0	21,200	2.60
3506898	25HBB336A60	CSPH*3612A**	58VMR120-20	34,000	11.5	14.00	34,400	3.72	8.1	21,200	2.62
3506962	25HBB336A60	CSPH*3612A**+TDR		34,400	11.0	13.20	34,600	3.54	8.0	22,000	2.50
3506204	25HBB336A60	CSPH*4212A**	58CV(A,X)070-12	34,400	11.5	14.00	33,800	3.72	8.1	21,200	2.64
3506296	25HBB336A60	CSPH*4212A**	58CV(A,X)135-22	34,600	11.7	14.50	33,600	3.76	8.2	21,200	2.66
3506326	25HBB336A60	CSPH*4212A**	58CV(A,X)155-22	34,600	11.7	14.50	33,600	3.76	8.3	21,200	2.66
3506341	25HBB336A60	CSPH*4212A**	58HDV040-12	34,000	11.0	13.20	34,000	3.66	8.0	21,800	2.56
3506356	25HBB336A60	CSPH*4212A**	58HDV060-12	34,400	11.2	13.50	34,000	3.74	8.1	21,800	2.62
3506400	25HBB336A60	CSPH*4212A**	58HDV100-20	34,800	11.5	14.00	34,000	3.82	8.3	21,600	2.68
3506426	25HBB336A60	CSPH*4212A**	58MEB040-12	34,600	11.5	14.50	33,600	3.78	8.1	21,400	2.68
3506448	25HBB336A60	CSPH*4212A**	58MEB060-12	34,600	11.5	14.50	33,600	3.80	8.1	21,400	2.68
3506528	25HBB336A60	CSPH*4212A**	58MEB100-20	34,600	12.0	14.50	33,200	3.78	8.1	21,200	2.68
3506570	25HBB336A60	CSPH*4212A**	58MV(B,C)060-14	34,400	11.7	14.50	33,800	3.68	8.2	21,400	2.62
3506592	25HBB336A60	CSPH*4212A**	58MV(B,C)080-14	34,400	11.5	14.00	34,000	3.72	8.1	21,200	2.64
3506624	25HBB336A60	CSPH*4212A**	58MV(B,C)080-20	34,400	11.5	14.00	33,800	3.68	8.1	21,400	2.60
3506660	25HBB336A60	CSPH*4212A**	58MV(B,C)100-20	34,600	11.7	14.50	33,800	3.72	8.2	21,200	2.64
3506690	25HBB336A60	CSPH*4212A**	58MV(B,C)120-20	34,400	11.7	14.50	33,800	3.72	8.2	21,200	2.64
3506742	25HBB336A60	CSPH*4212A**	58PH*070-16	34,600	11.5	14.00	33,800	3.70	8.2	21,600	2.62
3506804	25HBB336A60	CSPH*4212A**	58PH*110-20	34,800	11.5	14.50	33,600	3.82	8.2	21,400	2.70
3506862	25HBB336A60	CSPH*4212A**	58VLR120-20	34,400	12.0	14.50	34,000	3.78	8.1	21,200	2.66
3506900	25HBB336A60	CSPH*4212A**	58VMR120-20	34,400	11.5	14.00	34,000	3.74	8.1	21,200	2.64
3506964	25HBB336A60	CSPH*4212A**+TDR		34,600	11.0	13.20	34,200	3.76	8.0	21,200	2.66
3253253	25HBB342(A,W)30	†FY4ANF042		40,500	10.4	13.00	41,500	3.54	8.2	26,400	2.46
3253415	25HBB342(A,W)30	FE4AN(B,F)003+UI		40,000	11.5	14.00	41,000	3.42	7.9	25,600	2.40
3253416	25HBB342(A,W)30	FE4AN(B,F)005+UI		42,000	12.1	14.00	40,500	3.64	8.3	25,800	2.50
3253417	25HBB342(A,W)30	FE4ANB006+UI		42,500	12.4	14.00	39,500	3.68	8.4	25,800	2.56
3253418	25HBB342(A,W)30	FV4BN(B,F)003		40,000	11.5	14.00	41,000	3.42	7.9	25,600	2.40
3253420	25HBB342(A,W)30	FV4BNB006		42,500	12.4	14.00	39,500	3.68	8.4	25,800	2.56
3405702	25HBB342(A,W)30	FV4CN(B,F)003		40,000	11.5	14.00	41,000	3.42	7.9	25,600	2.40
3405703	25HBB342(A,W)30	FV4CN(B,F)005		42,000	12.1	14.00	40,500	3.64	8.3	25,800	2.50
3405701	25HBB342(A,W)30	FV4CNB006		42,500	12.4	14.00	39,500	3.68	8.4	25,800	2.56
3253282	25HBB342(A,W)30	FX4CN(B,F)042		41,000	11.0	13.50	41,500	3.66	8.4	25,800	2.56
3253283	25HBB342(A,W)30	FX4CN(B,F)048		42,000	11.5	14.50	40,500	3.70	8.5	25,800	2.62
3253414	25HBB342(A,W)30	FY4ANF048		41,500	10.6	13.20	41,000	3.56	8.2	26,600	2.50
3253331	25HBB342(A,W)30	CAP**4221A**	58CV(A,X)110-20	40,000	11.2	14.00	41,000	3.50	8.1	25,200	2.52
3253284	25HBB342(A,W)30	CAP**4221A**	58MEB100-20	40,500	11.2	14.00	41,000	3.56	8.1	25,200	2.54
3253328	25HBB342(A,W)30	CAP**4221A**	58MV(B,C)080-14	39,500	10.9	13.50	41,500	3.42	7.9	25,400	2.46
3253329	25HBB342(A,W)30	CAP**4221A**	58MV(B,C)080-20	40,000	11.0	13.50	41,500	3.46	8.0	25,200	2.48
3253330	25HBB342(A,W)30	CAP**4221A**	58MV(B,C)100-20	40,000	11.2	13.50	41,000	3.48	8.0	25,200	2.50
3253254	25HBB342(A,W)30	CAP**4221A**	58PH*090-16	40,000	11.5	14.00	41,000	3.54	8.2	25,200	2.54
3253255	25HBB342(A,W)30	CAP**4221A**	58PH*110-20	40,500	11.5	14.00	41,000	3.56	8.2	25,200	2.54
3407993	25HBB342(A,W)30	CAP**4221A**	58VLR120-20	39,500	11.2	13.50	41,000	3.50	8.1	25,000	2.52
3407992	25HBB342(A,W)30	CAP**4221A**	58VMR120-20	39,500	11.2	13.50	41,000	3.48	8.1	25,200	2.50
3253327	25HBB342(A,W)30	CAP**4221A**+TDR		40,000	10.4	13.00	42,500	3.50	8.0	26,200	2.46
3253335	25HBB342(A,W)30	CAP**4224A**	58CV(A,X)135-22	40,000	11.4	14.00	41,000	3.54	8.2	25,000	2.54
3253336	25HBB342(A,W)30	CAP**4224A**	58CV(A,X)155-22	40,000	11.5	14.00	41,000	3.52	8.2	25,000	2.54
3407994	25HBB342(A,W)30	CAP**4224A**	58HDV100-20	40,000	11.2	13.50	41,500	3.54	8.2	25,400	2.52
3253333	25HBB342(A,W)30	CAP**4224A**	58MV(B,C)040-14	39,500	11.0	13.50	41,000	3.44	8.0	25,200	2.48
3253334	25HBB342(A,W)30	CAP**4224A**	58MV(B,C)120-20	40,000	11.2	14.00	41,000	3.48	8.0	25,200	2.50
3253256	25HBB342(A,W)30	CAP**4224A**	58PH*135-20	40,500	11.5	14.00	41,000	3.56	8.2	25,200	2.54
3253332	25HBB342(A,W)30	CAP**4224A**+TDR		40,000	10.4	13.00	42,500	3.50	8.0	26,200	2.46
3253339	25HBB342(A,W)30	CAP**4817A**	58CV(A,X)090-16	40,000	11.4	14.00	40,500	3.68	8.4	25,400	2.58
3253286	25HBB342(A,W)30	CAP**4817A**	58MEB040-12	41,500	11.0	14.00	41,000	3.68	8.3	25,800	2.58
3253287	25HBB342(A,W)30	CAP**4817A**	58MEB060-12	41,500	11.0	14.00	41,000	3.68	8.3	25,800	2.58
3253288	25HBB342(A,W)30	CAP**4817A**	58MEB080-12	41,500	11.5	14.00	41,000	3.68	8.3	25,600	2.58
3253289	25HBB342(A,W)30	CAP**4817A**	58MEB080-16	41,000	11.5	14.00	41,000	3.66	8.2	25,600	2.58
3253338	25HBB342(A,W)30	CAP**4817A**	58MV(B,C)060-14	40,000	11.3	14.00	40,500	3.64	8.4	25,600	2.56
3253257	25HBB342(A,W)30	CAP**4817A**	58PH*070-16	41,000	11.0	13.50	41,000	3.58	8.3	26,000	2.52
3253337	25HBB342(A,W)30	CAP**4817A**+TDR		40,500	10.7	13.00	41,000	3.64	8.4	26,400	2.54
3253344	25HBB342(A,W)30	CAP**4821A**	58CV(A,X)110-20	41,000	11.4	14.00	41,000	3.68	8.4	25,400	2.58
3253290	25HBB342(A,W)30	CAP**4821A**	58MEB100-20	41,000	11.5	14.00	41,000	3.70	8.2	25,400	2.60
3253341	25HBB342(A,W)30	CAP**4821A**	58MV(B,C)080-14	40,500	11.4	13.50	41,500	3.58	8.2	25,600	2.52
3253342	25HBB342(A,W)30	CAP**4821A**	58MV(B,C)080-20	40,500	11.2	13.50	41,000	3.62	8.3	25,400	2.54
3253343	25HBB342(A,W)30	CAP**4821A**	58MV(B,C)100-20	40,500	11.3	14.00	41,000	3.64	8.4	25,400	2.56
3253258	25HBB342(A,W)30	CAP**4821A**	58PH*090-16	41,000	11.5	14.00	41,000	3.68	8.3	25,400	2.58
3253259	25HBB342(A,W)30	CAP**4821A**	58PH*110-20	41,000	11.5	14.00	41,000	3.70	8.5	25,400	2.60
3407996	25HBB342(A,W)30	CAP**4821A**	58VLR120-20	40,500	11.5	14.00	41,000	3.66	8.1	25,400	2.56
3407995	25HBB342(A,W)30	CAP**4821A**	58VMR120-20	39,500	11.2	13.50	41,000	3.62	8.1	25,400	2.56
3253340	25HBB342(A,W)30	CAP**4821A**+TDR		41,000	10.6	13.00	42,000	3.62	8.3	26,400	2.52
3407998	25HBB342(A,W)30	CAP**4823A**	58HDV080-20	41,000	11.2	13.50	41,500	3.70	8.1	25,800	2.56
3408000	25HBB342(A,W)30	CAP**4823A**	58VLR120-20	40,500	11.5	14.00	41,000	3.66	8.1	25,400	2.56
3253349	25HBB342(A,W)30	CAP**4824A**	58CV(A,X)155-22	41,000	11.6	14.00	41,000	3.70	8.5	25,200	2.60
3407997	25HBB342(A,W)30	CAP**4824A**	58HDV100-20	41,000	11.2	13.50	41,000	3.70	8.1	25,600	2.58
3253291	25HBB342(A,W)30	CAP**4824A**	58MEB120-20	41,000	11.5	14.50	41,500	3.74	8.3	25,400	2.62
3253347	25HBB342(A,W)30	CAP**4824A**	58MV(B,C)120-20	40,500	11.4	14.00	41,000	3.64	8.4	25,200	2.56
3253260	25HBB342(A,W)30	CAP**4824A**	58PH*135-20	41,000	11.5	14.00	41,000	3.70	8.5	25,400	2.58

25HBB3

See notes on page 34

# COMBINATION RATINGS CONTINUED

ARI Ref. No.	Model Number	Coil Model Number	Furnace Model Number	Cooling Capacity	EER	SEER	High Temp		HSPF	Low Temp	
							E Capacity	E COP		H Capacity	H COP
3253345	25HBB342(A,W)30	CAP**4824A**+TDR		41,000	10.6	13.00	42,000	3.62	8.3	26,400	2.52
3253389	25HBB342(A,W)30	CNPF*4818A**+TDR		40,500	10.5	13.00	42,000	3.58	8.2	26,400	2.48
3253372	25HBB342(A,W)30	CNPH*4221A**	58CV(A,X)070-12	40,000	11.1	13.50	41,500	3.48	8.0	25,200	2.50
3253373	25HBB342(A,W)30	CNPH*4221A**	58CV(A,X)090-16	40,000	11.4	14.00	41,000	3.52	8.2	25,000	2.54
3253374	25HBB342(A,W)30	CNPH*4221A**	58CV(A,X)110-20	40,500	11.5	14.00	41,000	3.56	8.2	25,000	2.56
3253375	25HBB342(A,W)30	CNPH*4221A**	58CV(A,X)135-22	40,500	11.6	14.00	41,000	3.58	8.2	25,000	2.56
3253376	25HBB342(A,W)30	CNPH*4221A**	58CV(A,X)155-22	40,500	11.6	14.00	41,000	3.58	8.2	24,800	2.56
3253303	25HBB342(A,W)30	CNPH*4221A**	58MEB040-12	40,500	11.0	13.50	41,500	3.52	8.1	25,400	2.52
3253304	25HBB342(A,W)30	CNPH*4221A**	58MEB060-12	40,000	11.0	13.50	41,500	3.52	8.1	25,600	2.52
3253305	25HBB342(A,W)30	CNPH*4221A**	58MEB080-12	40,000	11.0	13.50	41,500	3.52	8.1	25,400	2.52
3253306	25HBB342(A,W)30	CNPH*4221A**	58MEB080-16	40,000	11.0	13.50	41,000	3.50	8.0	25,400	2.50
3253307	25HBB342(A,W)30	CNPH*4221A**	58MEB100-20	40,000	11.2	13.50	41,000	3.54	8.1	25,200	2.54
3253308	25HBB342(A,W)30	CNPH*4221A**	58MEB120-20	40,500	11.2	14.00	41,000	3.56	8.1	25,200	2.54
3253366	25HBB342(A,W)30	CNPH*4221A**	58MV(B,C)040-14	40,000	11.2	13.50	41,000	3.48	8.0	25,200	2.50
3253367	25HBB342(A,W)30	CNPH*4221A**	58MV(B,C)060-14	40,000	11.3	14.00	41,000	3.50	8.1	25,200	2.52
3253368	25HBB342(A,W)30	CNPH*4221A**	58MV(B,C)080-14	40,000	11.1	13.50	41,000	3.48	8.0	25,200	2.50
3253369	25HBB342(A,W)30	CNPH*4221A**	58MV(B,C)080-20	40,000	11.2	14.00	41,000	3.50	8.1	25,200	2.52
3253370	25HBB342(A,W)30	CNPH*4221A**	58MV(B,C)100-20	40,000	11.4	14.00	41,000	3.54	8.2	25,000	2.54
3253371	25HBB342(A,W)30	CNPH*4221A**	58MV(B,C)120-20	40,000	11.4	14.00	41,000	3.52	8.2	25,000	2.54
3253266	25HBB342(A,W)30	CNPH*4221A**	58PH*070-16	40,000	10.5	13.00	42,000	3.44	8.0	25,800	2.46
3253267	25HBB342(A,W)30	CNPH*4221A**	58PH*090-16	40,000	11.0	13.50	41,000	3.52	8.2	25,200	2.52
3253268	25HBB342(A,W)30	CNPH*4221A**	58PH*110-20	40,000	11.5	14.00	41,000	3.52	8.2	25,200	2.54
3253269	25HBB342(A,W)30	CNPH*4221A**	58PH*135-20	40,000	11.0	13.50	41,000	3.50	8.2	25,200	2.52
3408009	25HBB342(A,W)30	CNPH*4221A**	58VLR120-20	40,000	11.2	13.50	41,000	3.50	8.1	25,200	2.52
3408008	25HBB342(A,W)30	CNPH*4221A**	58VMR120-20	39,500	11.2	13.50	41,000	3.48	8.1	25,200	2.50
3253365	25HBB342(A,W)30	CNPH*4221A**+TDR		40,500	10.4	13.00	42,500	3.50	8.0	26,200	2.46
3253384	25HBB342(A,W)30	CNPH*4821A**	58CV(A,X)070-12	40,500	11.1	13.50	41,000	3.60	8.3	25,600	2.52
3253385	25HBB342(A,W)30	CNPH*4821A**	58CV(A,X)090-16	41,000	11.4	14.00	41,000	3.66	8.4	25,200	2.58
3253386	25HBB342(A,W)30	CNPH*4821A**	58CV(A,X)110-20	41,000	11.5	14.00	41,000	3.68	8.4	25,400	2.58
3253387	25HBB342(A,W)30	CNPH*4821A**	58CV(A,X)135-22	41,000	11.6	14.00	41,000	3.70	8.5	25,200	2.60
3253388	25HBB342(A,W)30	CNPH*4821A**	58CV(A,X)155-22	41,000	11.7	14.00	41,000	3.70	8.5	25,200	2.60
3408010	25HBB342(A,W)30	CNPH*4821A**	58HDV060--12	40,500	11.0	13.20	42,500	3.62	8.3	26,000	2.52
3408011	25HBB342(A,W)30	CNPH*4821A**	58HDV080--20	41,000	11.2	13.50	42,000	3.72	8.3	25,800	2.58
3408012	25HBB342(A,W)30	CNPH*4821A**	58HDV100--20	41,000	11.5	14.00	42,000	3.68	8.3	25,600	2.58
3253309	25HBB342(A,W)30	CNPH*4821A**	58MEB040-12	41,000	11.5	14.00	42,000	3.70	8.3	25,600	2.58
3253310	25HBB342(A,W)30	CNPH*4821A**	58MEB060-12	41,000	11.5	14.00	42,000	3.70	8.2	25,600	2.58
3253311	25HBB342(A,W)30	CNPH*4821A**	58MEB080-12	41,000	11.5	14.00	42,000	3.72	8.2	25,600	2.58
3253312	25HBB342(A,W)30	CNPH*4821A**	58MEB080-16	41,000	11.5	14.00	41,500	3.68	8.2	25,600	2.58
3253313	25HBB342(A,W)30	CNPH*4821A**	58MEB100-20	41,000	11.5	14.50	41,500	3.74	8.2	25,400	2.60
3253314	25HBB342(A,W)30	CNPH*4821A**	58MEB120-20	41,500	11.5	14.50	41,500	3.76	8.3	25,400	2.62
3253378	25HBB342(A,W)30	CNPH*4821A**	58MV(B,C)040-14	40,500	11.2	13.50	41,500	3.60	8.2	25,400	2.52
3253380	25HBB342(A,W)30	CNPH*4821A**	58MV(B,C)080-14	40,500	11.1	13.50	41,500	3.58	8.2	25,400	2.52
3253381	25HBB342(A,W)30	CNPH*4821A**	58MV(B,C)080-20	40,500	11.2	14.00	41,000	3.62	8.3	25,400	2.54
3253382	25HBB342(A,W)30	CNPH*4821A**	58MV(B,C)100-20	40,500	11.4	14.00	41,000	3.66	8.4	25,400	2.56
3253383	25HBB342(A,W)30	CNPH*4821A**	58MV(B,C)120-20	40,500	11.4	14.00	41,000	3.64	8.3	25,200	2.56
3253270	25HBB342(A,W)30	CNPH*4821A**	58PH*070-16	41,000	11.0	13.50	41,500	3.62	8.3	26,000	2.52
3253271	25HBB342(A,W)30	CNPH*4821A**	58PH*090-16	41,000	11.5	14.00	41,000	3.70	8.3	25,400	2.58
3253272	25HBB342(A,W)30	CNPH*4821A**	58PH*110-20	41,000	11.5	14.50	41,000	3.72	8.5	25,400	2.60
3408013	25HBB342(A,W)30	CNPH*4821A**	58VLR120-20	40,500	11.5	14.00	41,500	3.60	8.3	25,200	2.56
3253377	25HBB342(A,W)30	CNPH*4821A**+TDR		41,000	10.6	13.00	42,000	3.64	8.3	26,400	2.52
3253294	25HBB342(A,W)30	CNPV*4217A**	58CV(A,X)090-16	40,500	11.2	13.50	41,500	3.56	8.1	25,400	2.54
3253296	25HBB342(A,W)30	CNPV*4217A**	58MEB040-12	40,500	11.0	13.50	41,500	3.60	8.1	25,600	2.54
3253297	25HBB342(A,W)30	CNPV*4217A**	58MEB060-12	40,500	11.0	13.50	41,500	3.58	8.1	25,600	2.54
3253299	25HBB342(A,W)30	CNPV*4217A**	58MEB080-16	40,500	11.0	13.50	41,500	3.56	8.1	25,400	2.52
3253293	25HBB342(A,W)30	CNPV*4217A**	58MV(B,C)060-14	40,500	11.0	13.50	41,500	3.58	8.1	25,600	2.52
3253295	25HBB342(A,W)30	CNPV*4217A**	58PH*070-16	40,000	10.5	13.00	42,000	3.50	8.1	25,800	2.48
3253292	25HBB342(A,W)30	CNPV*4217A**		40,500	10.5	13.00	42,500	3.58	8.1	26,400	2.50
3253421	25HBB342(A,W)30	CNPV*4221A**	58CV(A,X)090-16	40,500	11.5	14.00	41,500	3.44	7.7	25,600	2.42
3253354	25HBB342(A,W)30	CNPV*4221A**	58CV(A,X)110-20	40,000	11.5	14.00	41,000	3.56	8.2	25,000	2.56
3253300	25HBB342(A,W)30	CNPV*4221A**	58MEB100-20	40,000	11.0	13.50	41,000	3.54	8.1	25,200	2.54
3253351	25HBB342(A,W)30	CNPV*4221A**	58MV(B,C)080-14	40,000	11.1	13.50	41,000	3.48	8.0	25,200	2.50
3253352	25HBB342(A,W)30	CNPV*4221A**	58MV(B,C)080-20	39,500	11.2	14.00	41,000	3.50	8.1	25,200	2.52
3253353	25HBB342(A,W)30	CNPV*4221A**	58MV(B,C)100-20	40,000	11.4	14.00	41,000	3.54	8.1	25,000	2.54
3253261	25HBB342(A,W)30	CNPV*4221A**	58PH*090-16	40,000	11.0	14.00	41,000	3.52	8.2	25,200	2.52
3253262	25HBB342(A,W)30	CNPV*4221A**	58PH*110-20	40,000	11.0	14.00	41,000	3.52	8.2	25,200	2.54
3408002	25HBB342(A,W)30	CNPV*4221A**	58VLR120-20	40,000	11.2	13.50	41,000	3.50	8.1	25,200	2.52
3408001	25HBB342(A,W)30	CNPV*4221A**	58VMR120-20	39,500	11.2	13.50	41,000	3.48	8.1	25,200	2.50
3253350	25HBB342(A,W)30	CNPV*4221A**+TDR		40,000	10.4	13.00	42,500	3.50	8.0	26,200	2.46
3253359	25HBB342(A,W)30	CNPV*4821A**	58CV(A,X)110-20	41,000	11.5	14.00	41,000	3.68	8.4	25,400	2.58
3253301	25HBB342(A,W)30	CNPV*4821A**	58MEB100-20	41,000	11.5	14.50	41,500	3.74	8.2	25,400	2.60
3253356	25HBB342(A,W)30	CNPV*4821A**	58MV(B,C)080-14	40,500	11.1	13.50	41,500	3.58	8.2	25,400	2.52
3253357	25HBB342(A,W)30	CNPV*4821A**	58MV(B,C)080-20	40,500	11.2	14.00	41,000	3.62	8.3	25,400	2.54
3253358	25HBB342(A,W)30	CNPV*4821A**	58MV(B,C)100-20	40,500	11.4	14.00	41,000	3.66	8.4	25,400	2.56
3253263	25HBB342(A,W)30	CNPV*4821A**	58PH*090-16	41,000	11.5	14.00	41,500	3.70	8.5	25,400	2.58
3253264	25HBB342(A,W)30	CNPV*4821A**	58PH*110-20	41,000	11.5	14.50	41,500	3.72	8.5	25,400	2.60
3408004	25HBB342(A,W)30	CNPV*4821A**	58VLR120-20	40,500	11.5	14.00	41,500	3.64	8.2	25,200	2.58
3408003	25HBB342(A,W)30	CNPV*4821A**	58VMR120-20	40,500	11.5	14.00	41,500	3.60	8.3	25,200	2.56
3253355	25HBB342(A,W)30	CNPV*4821A**+TDR		41,000	10.6	13.00	42,000	3.64	8.3	26,400	2.52
3253364	25HBB342(A,W)30	CNPV*4824A**	58CV(A,X)155-22	41,000	11.6	14.00	41,000	3.70	8.5	25,200	2.60
3408005	25HBB342(A,W)30	CNPV*4824A**	58HDV100--20	41,000	11.5	14.00	42,000	3.68	8.3	25,600	2.58

25HBB3

# COMBINATION RATINGS CONTINUED

ARI Ref. No.	Model Number	Coil Model Number	Furnace Model Number	Cooling Capacity	EER	SEER	High Temp		HSPF	Low Temp	
							E Capacity	E COP		H Capacity	H COP
3253302	25HBB342(A,W)30	CNPV*4824A**	58MEB120-20	41,500	11.5	14.50	41,500	3.76	8.3	25,400	2.62
3253361	25HBB342(A,W)30	CNPV*4824A**	58MV(B,C)040-14	40,500	11.2	13.50	41,000	3.60	8.2	25,400	2.52
3253362	25HBB342(A,W)30	CNPV*4824A**	58MV(B,C)120-20	40,500	11.4	14.00	41,000	3.64	8.3	25,200	2.56
3253265	25HBB342(A,W)30	CNPV*4824A**	58PH*135-20	41,000	11.5	14.00	41,500	3.72	8.5	25,400	2.60
3253360	25HBB342(A,W)30	CNPV*4824A**+TDR		41,000	10.6	13.00	42,000	3.64	8.3	26,400	2.52
3253397	25HBB342(A,W)30	CSPH*4212A**	58CV(A,X)070-12	39,500	11.1	13.50	41,500	3.60	8.2	25,600	2.52
3253398	25HBB342(A,W)30	CSPH*4212A**	58CV(A,X)090-16	40,000	11.4	14.00	41,000	3.66	8.4	25,400	2.56
3253399	25HBB342(A,W)30	CSPH*4212A**	58CV(A,X)110-20	40,000	11.4	14.00	41,000	3.66	8.4	25,400	2.58
3253400	25HBB342(A,W)30	CSPH*4212A**	58CV(A,X)135-22	40,000	11.5	14.00	41,000	3.70	8.4	25,200	2.60
3253401	25HBB342(A,W)30	CSPH*4212A**	58CV(A,X)155-22	40,000	11.6	14.00	41,000	3.68	8.4	25,200	2.60
3408015	25HBB342(A,W)30	CSPH*4212A**	58HDV060--12	40,500	11.0	13.20	42,500	3.60	8.2	26,000	2.52
3408016	25HBB342(A,W)30	CSPH*4212A**	58HDV080--20	41,000	11.2	13.50	42,000	3.70	8.3	25,800	2.56
3408017	25HBB342(A,W)30	CSPH*4212A**	58HDV100--20	41,000	11.5	14.00	42,000	3.66	8.3	25,600	2.56
3253315	25HBB342(A,W)30	CSPH*4212A**	58MEB040-12	41,000	11.5	14.00	42,000	3.70	8.2	25,600	2.58
3253316	25HBB342(A,W)30	CSPH*4212A**	58MEB060-12	41,000	11.2	14.00	42,000	3.70	8.2	25,600	2.56
3253317	25HBB342(A,W)30	CSPH*4212A**	58MEB080-12	41,000	11.5	14.00	42,000	3.70	8.2	25,600	2.58
3253318	25HBB342(A,W)30	CSPH*4212A**	58MEB080-16	41,000	11.5	14.00	41,500	3.66	8.2	25,600	2.56
3253319	25HBB342(A,W)30	CSPH*4212A**	58MEB100-20	41,000	11.5	14.00	41,500	3.70	8.3	25,400	2.60
3253320	25HBB342(A,W)30	CSPH*4212A**	58MEB120-20	41,500	11.5	14.50	41,500	3.74	8.3	25,400	2.60
3253392	25HBB342(A,W)30	CSPH*4212A**	58MV(B,C)060-14	40,000	11.3	14.00	41,500	3.62	8.3	25,400	2.54
3253393	25HBB342(A,W)30	CSPH*4212A**	58MV(B,C)080-14	39,500	11.1	13.50	41,500	3.58	8.2	25,600	2.52
3253394	25HBB342(A,W)30	CSPH*4212A**	58MV(B,C)080-20	40,000	11.2	14.00	41,500	3.62	8.3	25,600	2.54
3253395	25HBB342(A,W)30	CSPH*4212A**	58MV(B,C)100-20	40,000	11.3	14.00	41,500	3.64	8.3	25,400	2.56
3253396	25HBB342(A,W)30	CSPH*4212A**	58MV(B,C)120-20	40,000	11.4	14.00	41,500	3.62	8.3	25,400	2.56
3253274	25HBB342(A,W)30	CSPH*4212A**	58PH*070-16	41,000	11.0	13.50	41,500	3.60	8.2	26,000	2.52
3253275	25HBB342(A,W)30	CSPH*4212A**	58PH*090-16	41,000	11.5	14.00	41,000	3.68	8.2	25,400	2.58
3253276	25HBB342(A,W)30	CSPH*4212A**	58PH*110-20	41,000	11.5	14.50	41,000	3.70	8.5	25,400	2.58
3253277	25HBB342(A,W)30	CSPH*4212A**	58PH*135-20	41,000	11.5	14.00	41,000	3.68	8.2	25,400	2.58
3408019	25HBB342(A,W)30	CSPH*4212A**	58VLR120-20	40,500	11.5	14.00	41,500	3.62	8.3	25,400	2.56
3408018	25HBB342(A,W)30	CSPH*4212A**	58VMR120-20	40,500	11.5	14.00	41,500	3.60	8.3	25,400	2.56
3253390	25HBB342(A,W)30	CSPH*4212A**+TDR		40,000	10.7	13.00	42,500	3.66	8.3	26,400	2.52
3253409	25HBB342(A,W)30	CSPH*4812A**	58CV(A,X)070-12	41,000	11.1	13.50	41,500	3.64	8.3	25,600	2.54
3253410	25HBB342(A,W)30	CSPH*4812A**	58CV(A,X)090-16	41,000	11.4	14.00	41,000	3.70	8.4	25,400	2.58
3253411	25HBB342(A,W)30	CSPH*4812A**	58CV(A,X)110-20	41,000	11.4	14.00	41,000	3.70	8.5	25,400	2.58
3253412	25HBB342(A,W)30	CSPH*4812A**	58CV(A,X)135-22	41,000	11.6	14.00	41,000	3.74	8.5	25,400	2.60
3253413	25HBB342(A,W)30	CSPH*4812A**	58CV(A,X)155-22	41,000	11.6	14.00	41,000	3.72	8.5	25,200	2.60
3408020	25HBB342(A,W)30	CSPH*4812A**	58HDV060--12	41,000	11.0	13.20	42,500	3.64	8.3	26,000	2.52
3408021	25HBB342(A,W)30	CSPH*4812A**	58HDV080--20	41,500	11.2	13.50	42,500	3.74	8.3	25,800	2.58
3408022	25HBB342(A,W)30	CSPH*4812A**	58HDV100--20	41,000	11.5	14.00	42,000	3.70	8.3	25,600	2.58
3253321	25HBB342(A,W)30	CSPH*4812A**	58MEB040-12	41,500	11.5	14.00	42,000	3.74	8.3	25,800	2.58
3253323	25HBB342(A,W)30	CSPH*4812A**	58MEB080-12	41,500	11.5	14.00	42,000	3.72	8.3	25,600	2.58
3253324	25HBB342(A,W)30	CSPH*4812A**	58MEB080-16	41,000	11.5	14.00	41,500	3.70	8.2	25,600	2.58
3253325	25HBB342(A,W)30	CSPH*4812A**	58MEB100-20	41,500	11.5	14.50	41,500	3.74	8.3	25,400	2.60
3253326	25HBB342(A,W)30	CSPH*4812A**	58MEB120-20	41,500	11.5	14.50	41,500	3.76	8.3	25,400	2.62
3253403	25HBB342(A,W)30	CSPH*4812A**	58MV(B,C)040-14	40,500	11.2	13.50	41,500	3.62	8.3	25,600	2.52
3253404	25HBB342(A,W)30	CSPH*4812A**	58MV(B,C)060-14	40,500	11.3	14.00	41,000	3.66	8.4	25,400	2.56
3253405	25HBB342(A,W)30	CSPH*4812A**	58MV(B,C)080-14	40,500	11.1	13.50	41,500	3.62	8.3	25,600	2.52
3253406	25HBB342(A,W)30	CSPH*4812A**	58MV(B,C)080-20	40,500	11.3	14.00	41,000	3.66	8.4	25,600	2.56
3253407	25HBB342(A,W)30	CSPH*4812A**	58MV(B,C)100-20	40,500	11.3	14.00	41,000	3.68	8.4	25,400	2.56
3253408	25HBB342(A,W)30	CSPH*4812A**	58MV(B,C)120-20	40,500	11.4	14.00	41,000	3.68	8.4	25,400	2.56
3253278	25HBB342(A,W)30	CSPH*4812A**	58PH*070-16	41,000	11.0	13.50	41,500	3.64	8.2	26,000	2.52
3253279	25HBB342(A,W)30	CSPH*4812A**	58PH*090-16	41,000	11.5	14.00	41,000	3.72	8.5	25,400	2.58
3253280	25HBB342(A,W)30	CSPH*4812A**	58PH*110-20	41,500	11.5	14.50	41,000	3.72	8.5	25,400	2.60
3253281	25HBB342(A,W)30	CSPH*4812A**	58PH*135-20	41,000	11.5	14.00	41,000	3.72	8.5	25,400	2.58
3408024	25HBB342(A,W)30	CSPH*4812A**	58VLR120-20	41,000	11.5	14.00	41,500	3.66	8.3	25,400	2.58
3408023	25HBB342(A,W)30	CSPH*4812A**	58VMR120-20	41,000	11.5	14.00	41,500	3.64	8.3	25,400	2.56
3253402	25HBB342(A,W)30	CSPH*4812A**+TDR		41,000	10.7	13.00	42,000	3.68	8.4	26,400	2.52
3507574	25HBB342A50	†FY4ANF042		40,500	10.4	13.00	41,500	3.54	8.2	26,400	2.46
3507509	25HBB342A50	FE4AN(B,F)005+UI		42,000	12.1	14.00	40,500	3.64	8.3	25,800	2.50
3507511	25HBB342A50	FE4ANB006+UI		42,500	12.4	14.00	39,500	3.68	8.4	25,800	2.56
3507513	25HBB342A50	FV4BN(B,F)003		40,000	11.5	14.00	41,000	3.42	7.9	25,600	2.40
3507515	25HBB342A50	FV4BN(B,F)005		42,000	12.1	14.00	40,500	3.64	8.3	25,800	2.50
3507537	25HBB342A50	FV4CN(B,F)005		42,000	12.1	14.00	40,500	3.64	8.3	25,800	2.50
3507559	25HBB342A50	FX4CN(B,F)048		42,000	11.5	14.50	40,500	3.70	8.5	25,800	2.62
3507580	25HBB342A50	FY4ANF048		41,500	10.6	13.20	41,000	3.56	8.2	26,600	2.50
3507151	25HBB342A50	CAP**4221A**	58CV(A,X)110-20	40,000	11.2	14.00	41,000	3.50	8.1	25,200	2.52
3507311	25HBB342A50	CAP**4221A**	58MV(B,C)080-14	39,500	10.9	13.50	41,500	3.42	7.9	25,400	2.46
3507463	25HBB342A50	CAP**4221A**	58VMR120-20	39,500	11.2	13.50	41,000	3.48	8.1	25,200	2.50
3507479	25HBB342A50	CAP**4221A**+TDR		40,000	10.4	13.00	42,500	3.50	8.0	26,200	2.46
3507167	25HBB342A50	CAP**4224A**	58CV(A,X)135-22	40,000	11.4	14.00	41,000	3.54	8.2	25,000	2.54
3507285	25HBB342A50	CAP**4224A**	58MEB120-20	40,500	11.5	14.00	41,000	3.60	8.2	25,200	2.56
3507360	25HBB342A50	CAP**4224A**	58MV(B,C)120-20	40,000	11.2	14.00	41,000	3.48	8.0	25,200	2.50
3507374	25HBB342A50	CAP**4224A**	58MVB040-14	39,500	11.0	13.50	41,000	3.44	8.0	25,200	2.48
3507481	25HBB342A50	CAP**4224A**+TDR		40,000	10.4	13.00	42,500	3.50	8.0	26,200	2.46
3507137	25HBB342A50	CAP**4817A**	58CV(A,X)090-16	40,000	11.4	14.00	40,500	3.68	8.4	25,400	2.58
3507221	25HBB342A50	CAP**4817A**	58MEB040-12	41,500	11.0	14.00	41,000	3.68	8.3	25,800	2.58
3507233	25HBB342A50	CAP**4817A**	58MEB060-12	41,500	11.0	14.00	41,000	3.68	8.3	25,800	2.58
3507245	25HBB342A50	CAP**4817A**	58MEB080-12	41,500	11.5	14.00	41,000	3.68	8.3	25,600	2.58
3507483	25HBB342A50	CAP**4817A**+TDR		40,500	10.7	13.00	41,000	3.64	8.4	26,400	2.54

See notes on page 34

# COMBINATION RATINGS CONTINUED

ARI Ref. No.	Model Number	Coil Model Number	Furnace Model Number	Cooling Capacity	EER	SEER	High Temp		HSPF	Low Temp	
							E Capacity	E COP		H Capacity	H COP
3507313	25HBB342A50	CAP**4821A**	58MV(B,C)080-14	40,500	11.4	13.50	41,500	3.58	8.2	25,600	2.52
3507329	25HBB342A50	CAP**4821A**	58MV(B,C)080-20	40,500	11.2	13.50	41,000	3.62	8.3	25,400	2.54
3507418	25HBB342A50	CAP**4821A**	58PH*110-20	41,000	11.5	14.00	41,000	3.70	8.5	25,400	2.60
3507485	25HBB342A50	CAP**4821A**+TDR		41,000	10.6	13.00	42,000	3.62	8.3	26,400	2.52
3507201	25HBB342A50	CAP**4823A**	58HDV080--20	41,000	11.2	13.50	41,500	3.70	8.1	25,800	2.56
3507169	25HBB342A50	CAP**4824A**	58CV(A,X)135-22	41,000	11.6	14.00	41,000	3.70	8.5	25,200	2.60
3507183	25HBB342A50	CAP**4824A**	58CV(A,X)155-22	41,000	11.6	14.00	41,000	3.70	8.5	25,200	2.60
3507362	25HBB342A50	CAP**4824A**	58MV(B,C)120-20	40,500	11.4	14.00	41,000	3.64	8.4	25,200	2.56
3507376	25HBB342A50	CAP**4824A**	58MVB040-14	40,500	11.1	13.50	41,000	3.60	8.3	25,400	2.52
3507487	25HBB342A50	CAP**4824A**+TDR		41,000	10.6	13.00	42,000	3.62	8.3	26,400	2.52
3507489	25HBB342A50	CNPF*4818A**+TDR		40,500	10.5	13.00	42,000	3.58	8.2	26,400	2.48
3507129	25HBB342A50	CNPH*4221A**	58CV(A,X)070-12	40,000	11.1	13.50	41,500	3.48	8.0	25,200	2.50
3507155	25HBB342A50	CNPH*4221A**	58CV(A,X)110-20	40,500	11.5	14.00	41,000	3.56	8.2	25,000	2.56
3507171	25HBB342A50	CNPH*4221A**	58CV(A,X)135-22	40,500	11.6	14.00	41,000	3.58	8.2	25,000	2.56
3507185	25HBB342A50	CNPH*4221A**	58CV(A,X)155-22	40,500	11.6	14.00	41,000	3.58	8.2	24,800	2.56
3507211	25HBB342A50	CNPH*4221A**	58HDV100--20	40,000	11.2	13.50	41,500	3.52	8.1	25,400	2.52
3507223	25HBB342A50	CNPH*4221A**	58MEB040-12	40,500	11.0	13.50	41,500	3.52	8.1	25,400	2.52
3507235	25HBB342A50	CNPH*4221A**	58MEB060-12	40,000	11.0	13.50	41,500	3.52	8.1	25,600	2.52
3507273	25HBB342A50	CNPH*4221A**	58MEB100-20	40,000	11.2	13.50	41,000	3.54	8.1	25,200	2.54
3507301	25HBB342A50	CNPH*4221A**	58MV(B,C)060-14	40,000	11.3	14.00	41,000	3.50	8.1	25,200	2.52
3507348	25HBB342A50	CNPH*4221A**	58MV(B,C)100-20	40,000	11.4	14.00	41,000	3.54	8.2	25,000	2.54
3507364	25HBB342A50	CNPH*4221A**	58MV(B,C)120-20	40,000	11.4	14.00	41,000	3.52	8.2	25,000	2.54
3507378	25HBB342A50	CNPH*4221A**	58MVB040-14	40,000	11.2	13.50	41,000	3.48	8.0	25,200	2.50
3507404	25HBB342A50	CNPH*4221A**	58PH*090-16	40,000	11.0	13.50	41,000	3.52	8.2	25,200	2.52
3507420	25HBB342A50	CNPH*4221A**	58PH*110-20	40,000	11.5	14.00	41,000	3.52	8.2	25,200	2.54
3507450	25HBB342A50	CNPH*4221A**	58VLR120-20	40,000	11.2	13.50	41,000	3.50	8.1	25,200	2.52
3507467	25HBB342A50	CNPH*4221A**	58VMR120-20	39,500	11.2	13.50	41,000	3.48	8.1	25,200	2.50
3507491	25HBB342A50	CNPH*4221A**+TDR		40,500	10.4	13.00	42,500	3.50	8.0	26,200	2.46
3507157	25HBB342A50	CNPH*4821A**	58CV(A,X)110-20	41,000	11.5	14.00	41,000	3.68	8.4	25,400	2.58
3507173	25HBB342A50	CNPH*4821A**	58CV(A,X)135-22	41,000	11.6	14.00	41,000	3.70	8.5	25,200	2.60
3507187	25HBB342A50	CNPH*4821A**	58CV(A,X)155-22	41,000	11.7	14.00	41,000	3.70	8.5	25,200	2.60
3507205	25HBB342A50	CNPH*4821A**	58HDV080--20	41,000	11.2	13.50	42,000	3.72	8.3	25,800	2.58
3507213	25HBB342A50	CNPH*4821A**	58HDV100--20	41,000	11.5	14.00	42,000	3.68	8.3	25,600	2.58
3507225	25HBB342A50	CNPH*4821A**	58MEB040-12	41,000	11.5	14.00	42,000	3.70	8.3	25,600	2.58
3507237	25HBB342A50	CNPH*4821A**	58MEB060-12	41,000	11.5	14.00	42,000	3.70	8.2	25,600	2.58
3507261	25HBB342A50	CNPH*4821A**	58MEB080-16	41,000	11.5	14.00	41,500	3.68	8.2	25,600	2.58
3507275	25HBB342A50	CNPH*4821A**	58MEB100-20	41,000	11.5	14.50	41,500	3.74	8.2	25,400	2.60
3507291	25HBB342A50	CNPH*4821A**	58MEB120-20	41,500	11.5	14.50	41,500	3.76	8.3	25,400	2.62
3507303	25HBB342A50	CNPH*4821A**	58MV(B,C)060-14	40,500	11.3	14.00	41,500	3.62	8.3	25,400	2.56
3507317	25HBB342A50	CNPH*4821A**	58MV(B,C)080-14	40,500	11.1	13.50	41,500	3.58	8.2	25,400	2.52
3507350	25HBB342A50	CNPH*4821A**	58MV(B,C)100-20	40,500	11.4	14.00	41,000	3.66	8.4	25,400	2.56
3507366	25HBB342A50	CNPH*4821A**	58MV(B,C)120-20	40,500	11.4	14.00	41,000	3.64	8.3	25,200	2.56
3507392	25HBB342A50	CNPH*4821A**	58PH*070-16	41,000	11.0	13.50	41,500	3.62	8.3	26,000	2.52
3507406	25HBB342A50	CNPH*4821A**	58PH*090-16	41,000	11.5	14.00	41,000	3.70	8.3	25,400	2.58
3507422	25HBB342A50	CNPH*4821A**	58PH*110-20	41,000	11.5	14.50	41,000	3.72	8.5	25,400	2.60
3507438	25HBB342A50	CNPH*4821A**	58PH*135-20	41,000	11.5	14.00	41,000	3.72	8.5	25,400	2.60
3507452	25HBB342A50	CNPH*4821A**	58VLR120-20	40,500	11.5	14.00	41,500	3.64	8.3	25,200	2.58
3507469	25HBB342A50	CNPH*4821A**	58VMR120-20	40,500	11.5	14.00	41,500	3.60	8.3	25,200	2.56
3507493	25HBB342A50	CNPH*4821A**+TDR		41,000	10.6	13.00	42,000	3.64	8.3	26,400	2.52
3507143	25HBB342A50	CNPV*4217A**	58CV(A,X)090-16	40,500	11.2	13.50	41,500	3.56	8.1	25,400	2.54
3507239	25HBB342A50	CNPV*4217A**	58MEB060-12	40,500	11.0	13.50	41,500	3.58	8.1	25,600	2.54
3507251	25HBB342A50	CNPV*4217A**	58MEB080-12	40,500	11.0	13.50	41,500	3.60	8.1	25,600	2.54
3507263	25HBB342A50	CNPV*4217A**	58MEB080-16	40,500	11.0	13.50	41,500	3.56	8.1	25,400	2.52
3507305	25HBB342A50	CNPV*4217A**	58MV(B,C)060-14	40,500	11.0	13.50	41,500	3.58	8.1	25,600	2.52
3507394	25HBB342A50	CNPV*4217A**	58PH*070-16	40,000	10.5	13.00	42,000	3.50	8.1	25,800	2.48
3507495	25HBB342A50	CNPV*4217A**+TDR		40,500	10.5	13.00	42,500	3.58	8.1	26,400	2.50
3507145	25HBB342A50	CNPV*4221A**	58CV(A,X)090-16	40,500	11.5	14.00	41,500	3.44	7.7	25,600	2.42
3507277	25HBB342A50	CNPV*4221A**	58MEB100-20	40,000	11.0	13.50	41,000	3.54	8.1	25,200	2.54
3507319	25HBB342A50	CNPV*4221A**	58MV(B,C)080-14	40,000	11.1	13.50	41,000	3.48	8.0	25,200	2.50
3507336	25HBB342A50	CNPV*4221A**	58MV(B,C)080-20	39,500	11.2	14.00	41,000	3.50	8.1	25,200	2.52
3507352	25HBB342A50	CNPV*4221A**	58MV(B,C)100-20	40,000	11.4	14.00	41,000	3.54	8.1	25,000	2.54
3507471	25HBB342A50	CNPV*4221A**	58VMR120-20	39,500	11.2	13.50	41,000	3.48	8.1	25,200	2.50
3507497	25HBB342A50	CNPV*4221A**+TDR		40,000	10.4	13.00	42,500	3.50	8.0	26,200	2.46
3507279	25HBB342A50	CNPV*4821A**	58MEB100-20	41,000	11.5	14.50	41,500	3.74	8.2	25,400	2.60
3507321	25HBB342A50	CNPV*4821A**	58MV(B,C)080-14	40,500	11.1	13.50	41,500	3.58	8.2	25,400	2.52
3507338	25HBB342A50	CNPV*4821A**	58MV(B,C)080-20	40,500	11.2	14.00	41,000	3.62	8.3	25,400	2.54
3507354	25HBB342A50	CNPV*4821A**	58MV(B,C)100-20	40,500	11.4	14.00	41,000	3.66	8.4	25,400	2.56
3507410	25HBB342A50	CNPV*4821A**	58PH*090-16	41,000	11.5	14.00	41,500	3.70	8.5	25,400	2.58
3507426	25HBB342A50	CNPV*4821A**	58PH*110-20	41,000	11.5	14.50	41,500	3.72	8.5	25,400	2.60
3507457	25HBB342A50	CNPV*4821A**	58VLR120-20	40,500	11.5	14.00	41,500	3.64	8.2	25,200	2.58
3507499	25HBB342A50	CNPV*4821A**+TDR		41,000	10.6	13.00	42,000	3.64	8.3	26,400	2.52
3507175	25HBB342A50	CNPV*4824A**	58CV(A,X)135-22	41,000	11.6	14.00	41,000	3.70	8.5	25,200	2.60
3507368	25HBB342A50	CNPV*4824A**	58MV(B,C)120-20	40,500	11.4	14.00	41,000	3.64	8.3	25,200	2.56
3507501	25HBB342A50	CNPV*4824A**+TDR		41,000	10.6	13.00	42,000	3.64	8.3	26,400	2.52
3507133	25HBB342A50	CSPH*4212A**	58CV(A,X)070-12	39,500	11.1	13.50	41,500	3.60	8.2	25,600	2.52
3507177	25HBB342A50	CSPH*4212A**	58CV(A,X)135-22	40,000	11.5	14.00	41,000	3.70	8.4	25,200	2.60
3507191	25HBB342A50	CSPH*4212A**	58CV(A,X)155-22	40,000	11.6	14.00	41,000	3.68	8.4	25,200	2.60
3507207	25HBB342A50	CSPH*4212A**	58HDV080--20	41,000	11.2	13.50	42,000	3.70	8.3	25,800	2.56
3507265	25HBB342A50	CSPH*4212A**	58MEB080-16	41,000	11.5	14.00	41,500	3.66	8.2	25,600	2.56
3507281	25HBB342A50	CSPH*4212A**	58MEB100-20	41,000	11.5	14.00	41,500	3.70	8.3	25,400	2.60

25HBB3

See notes on page 34

# COMBINATION RATINGS CONTINUED

ARI Ref. No.	Model Number	Coil Model Number	Furnace Model Number	Cooling Capacity	EER	SEER	High Temp		HSPF	Low Temp	
							E Capacity	E COP		H Capacity	H COP
3507295	25HBB342A50	CSPH*4212A**	58MEB120-20	41,500	11.5	14.50	41,500	3.74	8.3	25,400	2.60
3507384	25HBB342A50	CSPH*4212A**	58MVB040-14	39,500	11.1	13.50	41,500	3.58	8.2	25,600	2.52
3507396	25HBB342A50	CSPH*4212A**	58PH*070-16	41,000	11.0	13.50	41,500	3.60	8.2	26,000	2.52
3507412	25HBB342A50	CSPH*4212A**	58PH*090-16	41,000	11.5	14.00	41,000	3.68	8.2	25,400	2.58
3507428	25HBB342A50	CSPH*4212A**	58PH*110-20	41,000	11.5	14.50	41,000	3.70	8.5	25,400	2.58
3507459	25HBB342A50	CSPH*4212A**	58VLR120-20	40,500	11.5	14.00	41,500	3.62	8.3	25,400	2.56
3507475	25HBB342A50	CSPH*4212A**	58VMR120-20	40,500	11.5	14.00	41,500	3.60	8.3	25,400	2.56
3507503	25HBB342A50	CSPH*4212A**+TDR		40,000	10.7	13.00	42,500	3.66	8.3	26,400	2.52
3507149	25HBB342A50	CSPH*4812A**	58CV(A,X)090-16	41,000	11.4	14.00	41,000	3.70	8.4	25,400	2.58
3507179	25HBB342A50	CSPH*4812A**	58CV(A,X)135-22	41,000	11.6	14.00	41,000	3.74	8.5	25,400	2.60
3507209	25HBB342A50	CSPH*4812A**	58HDV080-20	41,500	11.2	13.50	42,500	3.74	8.3	25,800	2.58
3507231	25HBB342A50	CSPH*4812A**	58MEB040-12	41,500	11.5	14.00	42,000	3.74	8.3	25,800	2.58
3507255	25HBB342A50	CSPH*4812A**	58MEB080-12	41,500	11.5	14.00	42,000	3.72	8.3	25,600	2.58
3507267	25HBB342A50	CSPH*4812A**	58MEB080-16	41,000	11.5	14.00	41,500	3.70	8.2	25,600	2.58
3507297	25HBB342A50	CSPH*4812A**	58MEB120-20	41,500	11.5	14.50	41,500	3.76	8.3	25,400	2.62
3507309	25HBB342A50	CSPH*4812A**	58MV(B,C)060-14	40,500	11.3	14.00	41,000	3.66	8.4	25,400	2.56
3507342	25HBB342A50	CSPH*4812A**	58MV(B,C)080-20	40,500	11.3	14.00	41,000	3.66	8.4	25,600	2.56
3507372	25HBB342A50	CSPH*4812A**	58MV(B,C)120-20	40,500	11.4	14.00	41,000	3.68	8.4	25,400	2.56
3507386	25HBB342A50	CSPH*4812A**	58MVB040-14	40,500	11.2	13.50	41,500	3.62	8.3	25,600	2.52
3507398	25HBB342A50	CSPH*4812A**	58PH*070-16	41,000	11.0	13.50	41,500	3.64	8.2	26,000	2.52
3507414	25HBB342A50	CSPH*4812A**	58PH*090-16	41,000	11.5	14.00	41,000	3.72	8.5	25,400	2.58
3507430	25HBB342A50	CSPH*4812A**	58PH*110-20	41,500	11.5	14.50	41,000	3.72	8.5	25,400	2.60
3507461	25HBB342A50	CSPH*4812A**	58VLR120-20	41,000	11.5	14.00	41,500	3.66	8.3	25,400	2.58
3507477	25HBB342A50	CSPH*4812A**	58VMR120-20	41,000	11.5	14.00	41,500	3.64	8.3	25,400	2.56
3507505	25HBB342A50	CSPH*4812A**+TDR		41,000	10.7	13.00	42,000	3.68	8.4	26,400	2.52
3507508	25HBB342A60	FE4AN(B,F)003+UI		40,000	11.5	14.00	41,000	3.42	7.9	25,600	2.40
3507512	25HBB342A60	FE4ANB006+UI		42,500	12.4	14.00	39,500	3.68	8.4	25,800	2.56
3507514	25HBB342A60	FV4BN(B,F)003		40,000	11.5	14.00	41,000	3.42	7.9	25,600	2.40
3507518	25HBB342A60	FV4BN(B,F)005		42,000	12.1	14.00	40,500	3.64	8.3	25,800	2.50
3507524	25HBB342A60	FV4BNB006		42,500	12.4	14.00	39,500	3.68	8.4	25,800	2.56
3507545	25HBB342A60	FV4CNB006		42,500	12.4	14.00	39,500	3.68	8.4	25,800	2.56
3507557	25HBB342A60	FX4CN(B,F)042		41,000	11.0	13.50	41,500	3.66	8.4	25,800	2.56
3507562	25HBB342A60	FX4CN(B,F)048		42,000	11.5	14.50	40,500	3.70	8.5	25,800	2.62
3507582	25HBB342A60	FY4ANF048		41,500	10.6	13.20	41,000	3.56	8.2	26,600	2.50
3507270	25HBB342A60	CAP**4221A**	58MEB100-20	40,500	11.2	14.00	41,000	3.56	8.1	25,200	2.54
3507328	25HBB342A60	CAP**4221A**	58MV(B,C)080-20	40,000	11.0	13.50	41,500	3.46	8.0	25,200	2.48
3507417	25HBB342A60	CAP**4221A**	58PH*110-20	40,500	11.5	14.00	41,000	3.56	8.2	25,200	2.54
3507447	25HBB342A60	CAP**4221A**	58VLR120-20	39,500	11.2	13.50	41,000	3.50	8.1	25,000	2.52
3507464	25HBB342A60	CAP**4221A**	58VMR120-20	39,500	11.2	13.50	41,000	3.48	8.1	25,200	2.50
3507480	25HBB342A60	CAP**4221A**+TDR		40,000	10.4	13.00	42,500	3.50	8.0	26,200	2.46
3507286	25HBB342A60	CAP**4224A**	58MEB120-20	40,500	11.5	14.00	41,000	3.60	8.2	25,200	2.56
3507375	25HBB342A60	CAP**4224A**	58MVB040-14	39,500	11.0	13.50	41,000	3.44	8.0	25,200	2.48
3507482	25HBB342A60	CAP**4224A**+TDR		40,000	10.4	13.00	42,500	3.50	8.0	26,200	2.46
3507222	25HBB342A60	CAP**4817A**	58MEB040-12	41,500	11.0	14.00	41,000	3.68	8.3	25,800	2.58
3507234	25HBB342A60	CAP**4817A**	58MEB060-12	41,500	11.0	14.00	41,000	3.68	8.3	25,800	2.58
3507258	25HBB342A60	CAP**4817A**	58MEB080-16	41,000	11.5	14.00	41,000	3.66	8.2	25,600	2.58
3507484	25HBB342A60	CAP**4817A**+TDR		40,500	10.7	13.00	41,000	3.64	8.4	26,400	2.54
3507154	25HBB342A60	CAP**4821A**	58CV(A,X)110-20	41,000	11.4	14.00	41,000	3.68	8.4	25,400	2.58
3507330	25HBB342A60	CAP**4821A**	58MV(B,C)080-20	40,500	11.2	13.50	41,000	3.62	8.3	25,400	2.54
3507347	25HBB342A60	CAP**4821A**	58MV(B,C)100-20	40,500	11.3	14.00	41,000	3.64	8.4	25,400	2.56
3507403	25HBB342A60	CAP**4821A**	58PH*090-16	41,000	11.5	14.00	41,000	3.68	8.3	25,400	2.58
3507449	25HBB342A60	CAP**4821A**	58VLR120-20	40,500	11.5	14.00	41,000	3.66	8.1	25,400	2.56
3507466	25HBB342A60	CAP**4821A**	58VMR120-20	39,500	11.2	13.50	41,000	3.62	8.1	25,400	2.56
3507486	25HBB342A60	CAP**4821A**+TDR		41,000	10.6	13.00	42,000	3.62	8.3	26,400	2.52
3507170	25HBB342A60	CAP**4824A**	58CV(A,X)135-22	41,000	11.6	14.00	41,000	3.70	8.5	25,200	2.60
3507377	25HBB342A60	CAP**4824A**	58MVB040-14	40,500	11.1	13.50	41,000	3.60	8.3	25,400	2.52
3507435	25HBB342A60	CAP**4824A**	58PH*135-20	41,000	11.5	14.00	41,000	3.70	8.5	25,400	2.58
3507488	25HBB342A60	CAP**4824A**+TDR		41,000	10.6	13.00	42,000	3.62	8.3	26,400	2.52
3507490	25HBB342A60	CNPF*4818A**+TDR		40,500	10.5	13.00	42,000	3.58	8.2	26,400	2.48
3507130	25HBB342A60	CNPH*4221A**	58CV(A,X)070-12	40,000	11.1	13.50	41,500	3.48	8.0	25,200	2.50
3507156	25HBB342A60	CNPH*4221A**	58CV(A,X)110-20	40,500	11.5	14.00	41,000	3.56	8.2	25,000	2.56
3507186	25HBB342A60	CNPH*4221A**	58CV(A,X)155-22	40,500	11.6	14.00	41,000	3.58	8.2	24,800	2.56
3507212	25HBB342A60	CNPH*4221A**	58HDV100-20	40,000	11.2	13.50	41,500	3.52	8.1	25,400	2.52
3507224	25HBB342A60	CNPH*4221A**	58MEB040-12	40,500	11.0	13.50	41,500	3.52	8.1	25,400	2.52
3507260	25HBB342A60	CNPH*4221A**	58MEB080-16	40,000	11.0	13.50	41,000	3.50	8.0	25,400	2.50
3507290	25HBB342A60	CNPH*4221A**	58MEB120-20	40,500	11.2	14.00	41,000	3.56	8.1	25,200	2.54
3507437	25HBB342A60	CNPH*4221A**	58PH*135-20	40,000	11.0	13.50	41,000	3.50	8.2	25,200	2.52
3507451	25HBB342A60	CNPH*4221A**	58VLR120-20	40,000	11.2	13.50	41,000	3.50	8.1	25,200	2.52
3507468	25HBB342A60	CNPH*4221A**	58VMR120-20	39,500	11.2	13.50	41,000	3.48	8.1	25,200	2.50
3507492	25HBB342A60	CNPH*4221A**+TDR		40,500	10.4	13.00	42,500	3.50	8.0	26,200	2.46
3507158	25HBB342A60	CNPH*4821A**	58CV(A,X)110-20	41,000	11.5	14.00	41,000	3.68	8.4	25,400	2.58
3507174	25HBB342A60	CNPH*4821A**	58CV(A,X)135-22	41,000	11.6	14.00	41,000	3.70	8.5	25,200	2.60
3507214	25HBB342A60	CNPH*4821A**	58HDV100-20	41,000	11.5	14.00	42,000	3.68	8.3	25,600	2.58
3507250	25HBB342A60	CNPH*4821A**	58MEB080-12	41,000	11.5	14.00	42,000	3.72	8.2	25,600	2.58
3507262	25HBB342A60	CNPH*4821A**	58MEB080-16	41,000	11.5	14.00	41,500	3.68	8.2	25,600	2.58
3507276	25HBB342A60	CNPH*4821A**	58MEB100-20	41,000	11.5	14.50	41,500	3.74	8.2	25,400	2.60
3507292	25HBB342A60	CNPH*4821A**	58MEB120-20	41,500	11.5	14.50	41,500	3.76	8.3	25,400	2.62
3507318	25HBB342A60	CNPH*4821A**	58MV(B,C)080-14	40,500	11.1	13.50	41,500	3.58	8.2	25,400	2.52
3507453	25HBB342A60	CNPH*4821A**	58VLR120-20	40,500	11.5	14.00	41,500	3.64	8.3	25,200	2.58

25HBB3

# COMBINATION RATINGS CONTINUED

ARI Ref. No.	Model Number	Coil Model Number	Furnace Model Number	Cooling Capacity	EER	SEER	High Temp		HSPF	Low Temp	
							E Capacity	E COP		H Capacity	H COP
3507470	25HBB342A60	CNPV*4821A**	58VMR120-20	40,500	11.5	14.00	41,500	3.60	8.3	25,200	2.56
3507494	25HBB342A60	CNPV*4821A**+TDR		41,000	10.6	13.00	42,000	3.64	8.3	26,400	2.52
3507240	25HBB342A60	CNPV*4217A**	58MEB060-12	40,500	11.0	13.50	41,500	3.58	8.1	25,600	2.54
3507252	25HBB342A60	CNPV*4217A**	58MEB080-12	40,500	11.0	13.50	41,500	3.60	8.1	25,600	2.54
3507306	25HBB342A60	CNPV*4217A**	58MV(B,C)060-14	40,500	11.0	13.50	41,500	3.58	8.1	25,600	2.52
3507496	25HBB342A60	CNPV*4217A**+TDR		40,500	10.5	13.00	42,500	3.58	8.1	26,400	2.50
3507146	25HBB342A60	CNPV*4221A**	58CV(A,X)090-16	40,500	11.5	14.00	41,500	3.44	7.7	25,600	2.42
3507160	25HBB342A60	CNPV*4221A**	58CV(A,X)110-20	40,000	11.5	14.00	41,000	3.56	8.2	25,000	2.56
3507320	25HBB342A60	CNPV*4221A**	58MV(B,C)080-14	40,000	11.1	13.50	41,000	3.48	8.0	25,200	2.50
3507337	25HBB342A60	CNPV*4221A**	58MV(B,C)080-20	39,500	11.2	14.00	41,000	3.50	8.1	25,200	2.52
3507353	25HBB342A60	CNPV*4221A**	58MV(B,C)100-20	40,000	11.4	14.00	41,000	3.54	8.1	25,000	2.54
3507409	25HBB342A60	CNPV*4221A**	58PH*090-16	40,000	11.0	14.00	41,000	3.52	8.2	25,200	2.52
3507425	25HBB342A60	CNPV*4221A**	58PH*110-20	40,000	11.0	14.00	41,000	3.52	8.2	25,200	2.54
3507456	25HBB342A60	CNPV*4221A**	58VLR120-20	40,000	11.2	13.50	41,000	3.50	8.1	25,200	2.52
3507498	25HBB342A60	CNPV*4221A**+TDR		40,000	10.4	13.00	42,500	3.50	8.0	26,200	2.46
3507280	25HBB342A60	CNPV*4821A**	58MEB100-20	41,000	11.5	14.50	41,500	3.74	8.2	25,400	2.60
3507339	25HBB342A60	CNPV*4821A**	58MV(B,C)080-20	40,500	11.2	14.00	41,000	3.62	8.3	25,400	2.54
3507411	25HBB342A60	CNPV*4821A**	58PH*090-16	41,000	11.5	14.00	41,500	3.70	8.5	25,400	2.58
3507458	25HBB342A60	CNPV*4821A**	58VLR120-20	40,500	11.5	14.00	41,500	3.64	8.2	25,200	2.58
3507500	25HBB342A60	CNPV*4821A**+TDR		41,000	10.6	13.00	42,000	3.64	8.3	26,400	2.52
3507369	25HBB342A60	CNPV*4824A**	58MV(B,C)120-20	40,500	11.4	14.00	41,000	3.64	8.3	25,200	2.56
3507383	25HBB342A60	CNPV*4824A**	58MVB040-14	40,500	11.2	13.50	41,000	3.60	8.2	25,400	2.52
3507441	25HBB342A60	CNPV*4824A**	58PH*135-20	41,000	11.5	14.00	41,500	3.72	8.5	25,400	2.60
3507502	25HBB342A60	CNPV*4824A**+TDR		41,000	10.6	13.00	42,000	3.64	8.3	26,400	2.52
3507148	25HBB342A60	CSPH*4212A**	58CV(A,X)090-16	40,000	11.4	14.00	41,000	3.66	8.4	25,400	2.56
3507178	25HBB342A60	CSPH*4212A**	58CV(A,X)135-22	40,000	11.5	14.00	41,000	3.70	8.4	25,200	2.60
3507192	25HBB342A60	CSPH*4212A**	58CV(A,X)155-22	40,000	11.6	14.00	41,000	3.68	8.4	25,200	2.60
3507208	25HBB342A60	CSPH*4212A**	58HDV080-20	41,000	11.2	13.50	42,000	3.70	8.3	25,800	2.56
3507218	25HBB342A60	CSPH*4212A**	58HDV100-20	41,000	11.5	14.00	42,000	3.66	8.3	25,600	2.56
3507230	25HBB342A60	CSPH*4212A**	58MEB040-12	41,000	11.5	14.00	42,000	3.70	8.2	25,600	2.58
3507254	25HBB342A60	CSPH*4212A**	58MEB080-12	41,000	11.5	14.00	42,000	3.70	8.2	25,600	2.58
3507266	25HBB342A60	CSPH*4212A**	58MEB080-16	41,000	11.5	14.00	41,500	3.66	8.2	25,600	2.56
3507308	25HBB342A60	CSPH*4212A**	58MV(B,C)060-14	40,000	11.3	14.00	41,500	3.62	8.3	25,400	2.54
3507324	25HBB342A60	CSPH*4212A**	58MV(B,C)080-14	39,500	11.1	13.50	41,500	3.58	8.2	25,600	2.52
3507341	25HBB342A60	CSPH*4212A**	58MV(B,C)080-20	40,000	11.2	14.00	41,500	3.62	8.3	25,600	2.54
3507385	25HBB342A60	CSPH*4212A**	58MVB040-14	39,500	11.1	13.50	41,500	3.58	8.2	25,600	2.52
3507413	25HBB342A60	CSPH*4212A**	58PH*090-16	41,000	11.5	14.00	41,000	3.68	8.2	25,400	2.58
3507429	25HBB342A60	CSPH*4212A**	58PH*110-20	41,000	11.5	14.50	41,000	3.70	8.5	25,400	2.58
3507443	25HBB342A60	CSPH*4212A**	58PH*135-20	41,000	11.5	14.00	41,000	3.68	8.2	25,400	2.58
3507504	25HBB342A60	CSPH*4212A**+TDR		40,000	10.7	13.00	42,500	3.66	8.3	26,400	2.52
3507136	25HBB342A60	CSPH*4812A**	58CV(A,X)070-12	41,000	11.1	13.50	41,500	3.64	8.3	25,600	2.54
3507180	25HBB342A60	CSPH*4812A**	58CV(A,X)135-22	41,000	11.6	14.00	41,000	3.74	8.5	25,400	2.60
3507194	25HBB342A60	CSPH*4812A**	58CV(A,X)155-22	41,000	11.6	14.00	41,000	3.72	8.5	25,200	2.60
3507200	25HBB342A60	CSPH*4812A**	58HDV060-12	41,000	11.0	13.20	42,500	3.64	8.3	26,000	2.52
3507210	25HBB342A60	CSPH*4812A**	58HDV080-20	41,500	11.2	13.50	42,500	3.74	8.3	25,800	2.58
3507220	25HBB342A60	CSPH*4812A**	58HDV100-20	41,000	11.5	14.00	42,000	3.70	8.3	25,600	2.58
3507232	25HBB342A60	CSPH*4812A**	58MEB040-12	41,500	11.5	14.00	42,000	3.74	8.3	25,800	2.58
3507268	25HBB342A60	CSPH*4812A**	58MEB080-16	41,000	11.5	14.00	41,500	3.70	8.2	25,600	2.58
3507284	25HBB342A60	CSPH*4812A**	58MEB100-20	41,500	11.5	14.50	41,500	3.74	8.3	25,400	2.60
3507298	25HBB342A60	CSPH*4812A**	58MEB120-20	41,500	11.5	14.50	41,500	3.76	8.3	25,400	2.62
3507310	25HBB342A60	CSPH*4812A**	58MV(B,C)060-14	40,500	11.3	14.00	41,000	3.66	8.4	25,400	2.56
3507326	25HBB342A60	CSPH*4812A**	58MV(B,C)080-14	40,500	11.1	13.50	41,500	3.62	8.3	25,600	2.52
3507343	25HBB342A60	CSPH*4812A**	58MV(B,C)080-20	40,500	11.3	14.00	41,000	3.66	8.4	25,600	2.56
3507359	25HBB342A60	CSPH*4812A**	58MV(B,C)100-20	40,500	11.3	14.00	41,000	3.68	8.4	25,400	2.56
3507387	25HBB342A60	CSPH*4812A**	58MVB040-14	40,500	11.2	13.50	41,500	3.62	8.3	25,600	2.52
3507399	25HBB342A60	CSPH*4812A**	58PH*070-16	41,000	11.0	13.50	41,500	3.64	8.2	26,000	2.52
3507445	25HBB342A60	CSPH*4812A**	58PH*135-20	41,000	11.5	14.00	41,000	3.72	8.5	25,400	2.58
3507506	25HBB342A60	CSPH*4812A**+TDR		41,000	10.7	13.00	42,000	3.68	8.4	26,400	2.52
3253423	25HBB348(A,W)30	†FY4ANF048		47,500	11.0	13.00	48,000	3.58	8.0	30,200	2.54
3253533	25HBB348(A,W)30	FE4AN(B,F)005+UI		47,500	12.0	14.00	47,000	3.72	8.2	29,000	2.66
3253534	25HBB348(A,W)30	FE4ANB006+UI		48,000	12.0	14.00	46,500	3.82	8.2	29,000	2.72
3253536	25HBB348(A,W)30	FV4BNB006		48,000	12.0	14.00	46,500	3.82	8.2	29,000	2.72
3405706	25HBB348(A,W)30	FV4CN(B,F)005		47,500	12.0	14.00	47,000	3.72	8.2	29,000	2.66
3405707	25HBB348(A,W)30	FV4CNB006		48,000	12.0	14.00	46,500	3.82	8.2	29,000	2.72
3253446	25HBB348(A,W)30	FX4CN(B,F)048		48,000	12.0	14.00	47,500	3.72	8.2	29,600	2.64
3253447	25HBB348(A,W)30	FX4CN(B,F)060		48,500	12.0	14.75	46,000	3.78	8.2	29,600	2.72
3253532	25HBB348(A,W)30	FY4ANB060		48,000	11.5	13.50	46,000	3.58	8.0	30,400	2.60
3253448	25HBB348(A,W)30	CAP**4817A**	58MEB080-16	47,000	11.5	13.50	48,000	3.66	8.0	29,600	2.60
3253469	25HBB348(A,W)30	CAP**4817A**+TDR		46,500	11.0	13.00	48,000	3.62	8.0	29,800	2.56
3253474	25HBB348(A,W)30	CAP**4821A**	58CV(A,X)110-20	46,500	12.0	14.00	47,500	3.62	8.0	29,200	2.60
3253449	25HBB348(A,W)30	CAP**4821A**	58MEB100-20	46,500	12.0	14.00	48,000	3.66	8.0	29,200	2.62
3253472	25HBB348(A,W)30	CAP**4821A**	58MV(B,C)080-20	46,000	11.5	13.50	48,000	3.58	7.7	29,200	2.56
3253473	25HBB348(A,W)30	CAP**4821A**	58MV(B,C)100-20	46,500	11.5	13.50	48,000	3.60	7.7	29,200	2.58
3253425	25HBB348(A,W)30	CAP**4821A**	58PH*110-20	46,500	12.0	14.50	47,500	3.66	8.0	29,000	2.62
3253471	25HBB348(A,W)30	CAP**4821A**+TDR		47,000	11.0	13.00	48,000	3.64	8.0	30,000	2.56
3408027	25HBB348(A,W)30	CAP**4823A**	58HDV080-20	46,500	11.2	13.50	47,500	3.64	8.1	29,600	2.58
3253477	25HBB348(A,W)30	CAP**4824A**	58CV(A,X)135-22	46,500	12.0	14.00	47,500	3.66	8.0	29,000	2.62
3253450	25HBB348(A,W)30	CAP**4824A**	58MEB120-20	47,000	12.0	14.50	47,500	3.70	8.1	29,200	2.64
3253426	25HBB348(A,W)30	CAP**4824A**	58PH*135-20	46,500	12.0	14.00	48,000	3.66	8.2	29,200	2.60

25HBB3

# COMBINATION RATINGS CONTINUED

ARI Ref. No.	Model Number	Coil Model Number	Furnace Model Number	Cooling Capacity	EER	SEER	High Temp		HSPF	Low Temp	
							E Capacity	E COP		H Capacity	H COP
3253475	25HBB348(A,W)30	CAP**4824A**+TDR		47,000	11.0	13.00	47,500	3.64	8.0	30,000	2.56
3253482	25HBB348(A,W)30	CAP**6021A**	58CV(A,X)110-20	47,500	12.0	14.00	46,500	3.64	8.0	29,200	2.64
3253451	25HBB348(A,W)30	CAP**6021A**	58MEB100-20	48,000	12.5	14.50	46,500	3.68	8.1	29,200	2.66
3253480	25HBB348(A,W)30	CAP**6021A**	58MV(B,C)080-20	47,500	12.0	14.00	46,500	3.60	8.0	29,200	2.60
3253427	25HBB348(A,W)30	CAP**6021A**	58PH*090-16	48,000	12.0	14.50	46,500	3.66	8.2	29,400	2.64
3253428	25HBB348(A,W)30	CAP**6021A**	58PH*110-20	48,000	12.0	14.75	46,500	3.70	8.2	29,000	2.66
3253479	25HBB348(A,W)30	CAP**6021A**+TDR		48,000	11.5	13.50	45,500	3.54	8.0	30,200	2.60
3253485	25HBB348(A,W)30	CAP**6024A**	58CV(A,X)135-22	47,500	12.0	14.00	46,500	3.66	8.0	29,000	2.66
3253486	25HBB348(A,W)30	CAP**6024A**	58CV(A,X)155-22	48,000	12.0	14.00	46,500	3.68	8.2	29,000	2.66
3408026	25HBB348(A,W)30	CAP**6024A**	58HDV100--20	47,500	11.5	14.00	47,500	3.66	8.0	29,400	2.62
3253452	25HBB348(A,W)30	CAP**6024A**	58MEB120-20	48,000	12.0	14.50	46,500	3.70	8.1	29,200	2.66
3253484	25HBB348(A,W)30	CAP**6024A**	58MV(B,C)120-20	47,500	12.0	14.00	46,500	3.60	8.0	29,200	2.62
3253429	25HBB348(A,W)30	CAP**6024A**	58PH*135-20	48,000	12.0	14.50	46,500	3.66	8.2	29,200	2.64
3253483	25HBB348(A,W)30	CAP**6024A**+TDR		48,000	11.5	13.50	45,500	3.54	8.0	30,200	2.60
3408028	25HBB348(A,W)30	CAP**6025A**	58HDV100--20	47,500	11.5	14.00	47,500	3.66	8.0	29,400	2.62
3253515	25HBB348(A,W)30	CNPF*4818A**+TDR		46,000	11.0	13.00	48,000	3.46	7.7	29,600	2.52
3253503	25HBB348(A,W)30	CNPH*4821A**	58CV(A,X)090-16	46,500	12.0	14.00	48,000	3.58	7.7	29,200	2.58
3253504	25HBB348(A,W)30	CNPH*4821A**	58CV(A,X)110-20	46,500	12.0	14.00	48,000	3.60	8.0	29,000	2.60
3253505	25HBB348(A,W)30	CNPH*4821A**	58CV(A,X)135-22	46,500	12.0	14.00	47,500	3.64	8.0	29,000	2.62
3253506	25HBB348(A,W)30	CNPH*4821A**	58CV(A,X)155-22	47,000	12.0	14.00	47,500	3.66	8.0	28,800	2.64
3408031	25HBB348(A,W)30	CNPH*4821A**	58HDV080--20	46,500	11.2	13.50	48,000	3.64	8.0	29,600	2.58
3408032	25HBB348(A,W)30	CNPH*4821A**	58HDV100--20	46,500	11.2	13.50	48,000	3.62	8.1	29,400	2.60
3253457	25HBB348(A,W)30	CNPH*4821A**	58MEB080-16	47,000	11.5	13.50	48,500	3.62	8.0	29,400	2.58
3253458	25HBB348(A,W)30	CNPH*4821A**	58MEB100-20	47,000	12.0	14.00	48,000	3.64	8.0	29,200	2.62
3253459	25HBB348(A,W)30	CNPH*4821A**	58MEB120-20	47,000	12.0	14.50	48,000	3.68	8.1	29,000	2.62
3253500	25HBB348(A,W)30	CNPH*4821A**	58MV(B,C)080-20	46,500	11.5	13.50	48,000	3.56	7.7	29,200	2.56
3253501	25HBB348(A,W)30	CNPH*4821A**	58MV(B,C)100-20	46,500	12.0	14.00	48,000	3.58	7.7	29,200	2.58
3253502	25HBB348(A,W)30	CNPH*4821A**	58MV(B,C)120-20	46,500	12.0	14.00	48,000	3.58	7.7	29,200	2.58
3253434	25HBB348(A,W)30	CNPH*4821A**	58PH*090-16	47,000	12.0	14.00	48,000	3.62	8.0	29,200	2.60
3253435	25HBB348(A,W)30	CNPH*4821A**	58PH*110-20	47,000	12.0	14.50	48,000	3.64	8.0	29,000	2.62
3253436	25HBB348(A,W)30	CNPH*4821A**	58PH*135-20	47,000	12.0	14.00	48,000	3.62	8.0	29,200	2.60
3253499	25HBB348(A,W)30	CNPH*4821A**+TDR		47,000	11.0	13.00	48,000	3.64	8.0	30,000	2.56
3253511	25HBB348(A,W)30	CNPH*6024A**	58CV(A,X)090-16	47,500	12.0	14.00	47,500	3.66	8.0	29,200	2.62
3253512	25HBB348(A,W)30	CNPH*6024A**	58CV(A,X)110-20	47,500	12.0	14.00	47,500	3.66	8.0	29,200	2.62
3253514	25HBB348(A,W)30	CNPH*6024A**	58CV(A,X)155-22	47,500	12.0	14.00	47,000	3.72	8.2	29,000	2.66
3408033	25HBB348(A,W)30	CNPH*6024A**	58HDV080--20	47,500	11.5	14.00	48,000	3.70	8.1	29,600	2.62
3408034	25HBB348(A,W)30	CNPH*6024A**	58HDV100--20	47,500	11.5	14.00	48,000	3.70	8.0	29,400	2.62
3253460	25HBB348(A,W)30	CNPH*6024A**	58MEB080-16	47,500	12.0	14.00	48,000	3.66	8.1	29,600	2.60
3253461	25HBB348(A,W)30	CNPH*6024A**	58MEB100-20	48,000	12.0	14.50	47,500	3.72	8.1	29,200	2.64
3253462	25HBB348(A,W)30	CNPH*6024A**	58MEB120-20	48,000	12.5	14.50	47,500	3.74	8.1	29,200	2.66
3253508	25HBB348(A,W)30	CNPH*6024A**	58MV(B,C)080-20	47,000	12.0	14.00	47,500	3.62	8.0	29,200	2.60
3253509	25HBB348(A,W)30	CNPH*6024A**	58MV(B,C)100-20	47,500	12.0	14.00	47,500	3.64	8.0	29,200	2.60
3253510	25HBB348(A,W)30	CNPH*6024A**	58MV(B,C)120-20	47,500	12.0	14.00	47,500	3.64	8.0	29,200	2.60
3253437	25HBB348(A,W)30	CNPH*6024A**	58PH*090-16	48,000	12.0	14.50	47,500	3.68	8.2	29,400	2.64
3253438	25HBB348(A,W)30	CNPH*6024A**	58PH*110-20	48,000	12.0	14.75	47,500	3.72	8.2	29,000	2.66
3253507	25HBB348(A,W)30	CNPH*6024A**+TDR		48,000	11.5	13.50	48,000	3.64	8.0	30,000	2.58
3253490	25HBB348(A,W)30	CNPV*4821A**	58CV(A,X)110-20	46,500	12.0	14.00	48,000	3.60	8.0	29,000	2.60
3253453	25HBB348(A,W)30	CNPV*4821A**	58MEB100-20	47,000	12.0	14.00	47,500	3.64	8.0	29,200	2.62
3253489	25HBB348(A,W)30	CNPV*4821A**	58MV(B,C)100-20	46,500	12.0	14.00	48,000	3.58	7.7	29,200	2.58
3253431	25HBB348(A,W)30	CNPV*4821A**	58PH*110-20	47,000	12.0	14.50	48,000	3.64	8.0	29,000	2.62
3253487	25HBB348(A,W)30	CNPV*4821A**+TDR		47,000	11.0	13.00	48,000	3.64	8.0	30,000	2.56
3253493	25HBB348(A,W)30	CNPV*4824A**	58CV(A,X)135-22	46,500	12.0	14.00	47,500	3.64	8.0	29,000	2.62
3253494	25HBB348(A,W)30	CNPV*4824A**	58CV(A,X)155-22	47,000	12.0	14.00	47,500	3.66	8.0	28,800	2.64
3253492	25HBB348(A,W)30	CNPV*4824A**	58MV(B,C)120-20	46,500	12.0	14.00	48,000	3.58	7.7	29,200	2.58
3253432	25HBB348(A,W)30	CNPV*4824A**	58PH*135-20	47,000	12.0	14.00	48,000	3.62	8.0	29,200	2.60
3253491	25HBB348(A,W)30	CNPV*4824A**+TDR		47,000	11.0	13.00	48,000	3.64	8.0	30,000	2.56
3253498	25HBB348(A,W)30	CNPV*6024A**	58CV(A,X)155-22	47,500	12.0	14.00	47,000	3.72	8.2	29,000	2.66
3408030	25HBB348(A,W)30	CNPV*6024A**	58HDV100--20	47,500	11.5	14.00	48,000	3.70	8.0	29,400	2.62
3253455	25HBB348(A,W)30	CNPV*6024A**	58MEB120-20	48,000	12.5	14.50	47,500	3.74	8.1	29,200	2.66
3253496	25HBB348(A,W)30	CNPV*6024A**	58MV(B,C)120-20	47,500	12.0	14.00	47,500	3.64	8.0	29,200	2.60
3253433	25HBB348(A,W)30	CNPV*6024A**	58PH*135-20	48,000	12.0	14.75	47,500	3.70	8.2	29,200	2.64
3253495	25HBB348(A,W)30	CNPV*6024A**+TDR		48,000	11.5	13.50	48,000	3.64	8.0	30,000	2.58
3253520	25HBB348(A,W)30	CSPH*4812A**	58CV(A,X)090-16	47,000	12.0	14.00	48,000	3.64	8.0	29,200	2.60
3253521	25HBB348(A,W)30	CSPH*4812A**	58CV(A,X)110-20	47,000	12.0	14.00	48,000	3.66	8.0	29,200	2.60
3253522	25HBB348(A,W)30	CSPH*4812A**	58CV(A,X)135-22	47,000	12.0	14.00	48,000	3.68	8.0	29,200	2.62
3408035	25HBB348(A,W)30	CSPH*4812A**	58HDV080--20	47,000	11.2	13.50	48,000	3.68	8.0	29,600	2.60
3253464	25HBB348(A,W)30	CSPH*4812A**	58MEB100-20	47,000	12.0	14.50	48,000	3.68	8.0	29,200	2.62
3253465	25HBB348(A,W)30	CSPH*4812A**	58MEB120-20	47,500	12.0	14.50	48,000	3.72	8.1	29,200	2.64
3253517	25HBB348(A,W)30	CSPH*4812A**	58MV(B,C)080-20	46,500	11.5	13.50	48,000	3.60	8.0	29,400	2.58
3253518	25HBB348(A,W)30	CSPH*4812A**	58MV(B,C)100-20	46,500	12.0	14.00	48,000	3.62	8.0	29,400	2.58
3253440	25HBB348(A,W)30	CSPH*4812A**	58PH*090-16	47,000	12.0	14.00	48,000	3.66	8.2	29,400	2.60
3253441	25HBB348(A,W)30	CSPH*4812A**	58PH*110-20	47,000	12.0	14.50	48,000	3.66	8.2	29,000	2.62
3253442	25HBB348(A,W)30	CSPH*4812A**	58PH*135-20	47,000	12.0	14.00	48,000	3.66	8.0	29,200	2.60
3253516	25HBB348(A,W)30	CSPH*4812A**+TDR		47,500	11.0	13.00	48,000	3.70	8.0	30,000	2.58
3253528	25HBB348(A,W)30	CSPH*6012A**	58CV(A,X)090-16	47,500	12.0	14.00	47,500	3.68	8.0	29,200	2.64
3253529	25HBB348(A,W)30	CSPH*6012A**	58CV(A,X)110-20	47,500	12.0	14.00	47,500	3.72	8.2	29,200	2.64
3253530	25HBB348(A,W)30	CSPH*6012A**	58CV(A,X)135-22	48,000	12.0	14.00	47,000	3.74	8.2	29,000	2.66
3253531	25HBB348(A,W)30	CSPH*6012A**	58CV(A,X)155-22	48,000	12.0	14.00	47,000	3.76	8.2	29,000	2.68
3408038	25HBB348(A,W)30	CSPH*6012A**	58HDV100--20	47,500	11.5	14.00	48,000	3.74	8.2	29,400	2.64
3253466	25HBB348(A,W)30	CSPH*6012A**	58MEB080-16	48,000	12.0	14.00	47,500	3.72	8.1	29,600	2.64

25HBB3

# COMBINATION RATINGS CONTINUED

ARI Ref. No.	Model Number	Coil Model Number	Furnace Model Number	Cooling Capacity	EER	SEER	High Temp		HSPF	Low Temp	
							E Capacity	E COP		H Capacity	H COP
3253468	25HBB348(A,W)30	CSPH*6012A**	58MEB120-20	48,500	12.5	14.50	47,000	3.78	8.2	29,200	2.68
3253525	25HBB348(A,W)30	CSPH*6012A**	58MV(B,C)080-20	47,500	12.0	14.00	47,500	3.66	8.0	29,400	2.62
3253526	25HBB348(A,W)30	CSPH*6012A**	58MV(B,C)100-20	47,500	12.0	14.00	47,500	3.68	8.0	29,200	2.62
3253527	25HBB348(A,W)30	CSPH*6012A**	58MV(B,C)120-20	47,500	12.0	14.00	47,500	3.68	8.0	29,200	2.62
3253443	25HBB348(A,W)30	CSPH*6012A**	58PH*090-16	48,000	12.0	14.50	47,500	3.74	8.2	29,400	2.66
3253444	25HBB348(A,W)30	CSPH*6012A**	58PH*110-20	48,000	12.0	14.75	47,000	3.76	8.2	29,200	2.68
3253445	25HBB348(A,W)30	CSPH*6012A**	58PH*135-20	48,000	12.0	14.50	47,500	3.76	8.2	29,200	2.66
3253524	25HBB348(A,W)30	CSPH*6012A**+TDR		48,000	11.5	13.50	48,000	3.68	8.2	30,200	2.62
3506988	25HBB348A50	FV4BNB006		48,000	12.0	14.00	46,500	3.82	8.2	29,000	2.72
3506996	25HBB348A50	FV4CN(B,F)005		47,500	12.0	14.00	47,000	3.72	8.2	29,000	2.66
3507008	25HBB348A50	FX4CN(B,F)048		48,000	12.0	14.00	47,500	3.72	8.2	29,600	2.64
3506209	25HBB348A50	CAP**4817A**	58CV(A,X)090-16	46,500	12.0	14.00	47,500	3.64	8.0	29,400	2.60
3506475	25HBB348A50	CAP**4817A**	58MEB080-16	47,000	11.5	13.50	48,000	3.66	8.0	29,600	2.60
3506916	25HBB348A50	CAP**4817A**+TDR		46,500	11.0	13.00	48,000	3.62	8.0	29,800	2.56
3506242	25HBB348A50	CAP**4821A**	58CV(A,X)110-20	46,500	12.0	14.00	47,500	3.62	8.0	29,200	2.60
3506507	25HBB348A50	CAP**4821A**	58MEB100-20	46,500	12.0	14.00	48,000	3.66	8.0	29,200	2.62
3506598	25HBB348A50	CAP**4821A**	58MV(B,C)080-20	46,000	11.5	13.50	48,000	3.58	7.7	29,200	2.56
3506748	25HBB348A50	CAP**4821A**	58PH*090-16	46,500	12.0	14.00	48,000	3.64	8.0	29,200	2.60
3506918	25HBB348A50	CAP**4821A**+TDR		47,000	11.0	13.00	48,000	3.64	8.0	30,000	2.56
3506357	25HBB348A50	CAP**4823A**	58HDV080--20	46,500	11.2	13.50	47,500	3.64	8.1	29,600	2.58
3506303	25HBB348A50	CAP**4824A**	58CV(A,X)155-22	46,500	12.0	14.00	47,500	3.68	8.0	29,000	2.64
3506533	25HBB348A50	CAP**4824A**	58MEB120-20	47,000	12.0	14.50	47,500	3.70	8.1	29,200	2.64
3506667	25HBB348A50	CAP**4824A**	58MV(B,C)120-20	46,000	12.0	14.00	47,500	3.60	7.7	29,200	2.58
3506809	25HBB348A50	CAP**4824A**	58PH*135-20	46,500	12.0	14.00	48,000	3.66	8.2	29,200	2.60
3506920	25HBB348A50	CAP**4824A**+TDR		47,000	11.0	13.00	47,500	3.64	8.0	30,000	2.56
3506509	25HBB348A50	CAP**6021A**	58MEB100-20	48,000	12.5	14.50	46,500	3.68	8.1	29,200	2.66
3506636	25HBB348A50	CAP**6021A**	58MV(B,C)100-20	47,500	12.0	14.00	46,500	3.62	8.0	29,200	2.62
3506750	25HBB348A50	CAP**6021A**	58PH*090-16	48,000	12.0	14.50	46,500	3.66	8.2	29,400	2.64
3506785	25HBB348A50	CAP**6021A**	58PH*110-20	48,000	12.0	14.75	46,500	3.70	8.2	29,000	2.66
3506922	25HBB348A50	CAP**6021A**+TDR		48,000	11.5	13.50	45,500	3.54	8.0	30,200	2.60
3506275	25HBB348A50	CAP**6024A**	58CV(A,X)135-22	47,500	12.0	14.00	46,500	3.66	8.0	29,000	2.66
3506305	25HBB348A50	CAP**6024A**	58CV(A,X)155-22	48,000	12.0	14.00	46,500	3.68	8.2	29,000	2.66
3506535	25HBB348A50	CAP**6024A**	58MEB120-20	48,000	12.0	14.50	46,500	3.70	8.1	29,200	2.66
3506669	25HBB348A50	CAP**6024A**	58MV(B,C)120-20	47,500	12.0	14.00	46,500	3.60	8.0	29,200	2.62
3506811	25HBB348A50	CAP**6024A**	58PH*135-20	48,000	12.0	14.50	46,500	3.66	8.2	29,200	2.64
3506924	25HBB348A50	CAP**6024A**+TDR		48,000	11.5	13.50	45,500	3.54	8.0	30,200	2.60
3506929	25HBB348A50	CNPF*4818A**+TDR		46,000	11.0	13.00	48,000	3.46	7.7	29,600	2.52
3506252	25HBB348A50	CNPH*4821A**	58CV(A,X)110-20	46,500	12.0	14.00	48,000	3.60	8.0	29,000	2.60
3506283	25HBB348A50	CNPH*4821A**	58CV(A,X)135-22	46,500	12.0	14.00	47,500	3.64	8.0	29,000	2.62
3506313	25HBB348A50	CNPH*4821A**	58CV(A,X)155-22	47,000	12.0	14.00	47,500	3.66	8.0	28,800	2.64
3506365	25HBB348A50	CNPH*4821A**	58HDV080--20	46,500	11.2	13.50	48,000	3.64	8.0	29,600	2.58
3506483	25HBB348A50	CNPH*4821A**	58MEB080-16	47,000	11.5	13.50	48,500	3.62	8.0	29,400	2.58
3506515	25HBB348A50	CNPH*4821A**	58MEB100-20	47,000	12.0	14.00	48,000	3.64	8.0	29,200	2.62
3506677	25HBB348A50	CNPH*4821A**	58MV(B,C)120-20	46,500	12.0	14.00	48,000	3.58	7.7	29,200	2.58
3506729	25HBB348A50	CNPH*4821A**	58PH*070-16	46,500	11.0	13.00	48,500	3.52	7.8	30,000	2.50
3506758	25HBB348A50	CNPH*4821A**	58PH*090-16	47,000	12.0	14.00	48,000	3.62	8.0	29,200	2.60
3506791	25HBB348A50	CNPH*4821A**	58PH*110-20	47,000	12.0	14.50	48,000	3.64	8.0	29,000	2.62
3506937	25HBB348A50	CNPH*4821A**+TDR		47,000	11.0	13.00	48,000	3.64	8.0	30,000	2.56
3506219	25HBB348A50	CNPH*6024A**	58CV(A,X)090-16	47,500	12.0	14.00	47,500	3.66	8.0	29,200	2.62
3506285	25HBB348A50	CNPH*6024A**	58CV(A,X)135-22	47,500	12.0	14.00	47,500	3.70	8.0	29,000	2.64
3506367	25HBB348A50	CNPH*6024A**	58HDV080--20	47,500	11.5	14.00	48,000	3.70	8.1	29,600	2.62
3506517	25HBB348A50	CNPH*6024A**	58MEB100-20	48,000	12.0	14.50	47,500	3.72	8.1	29,200	2.64
3506539	25HBB348A50	CNPH*6024A**	58MEB120-20	48,000	12.5	14.50	47,500	3.74	8.1	29,200	2.66
3506646	25HBB348A50	CNPH*6024A**	58MV(B,C)100-20	47,500	12.0	14.00	47,500	3.64	8.0	29,200	2.60
3506793	25HBB348A50	CNPH*6024A**	58PH*110-20	48,000	12.0	14.75	47,500	3.72	8.2	29,000	2.66
3506815	25HBB348A50	CNPH*6024A**	58PH*135-20	48,000	12.0	14.75	47,500	3.70	8.2	29,200	2.64
3506939	25HBB348A50	CNPH*6024A**+TDR		48,000	11.5	13.50	48,000	3.64	8.0	30,000	2.58
3506261	25HBB348A50	CNPV*4821A**	58CV(A,X)110-20	46,500	12.0	14.00	48,000	3.60	8.0	29,000	2.60
3506523	25HBB348A50	CNPV*4821A**	58MEB100-20	47,000	12.0	14.00	47,500	3.64	8.0	29,200	2.62
3506617	25HBB348A50	CNPV*4821A**	58MV(B,C)080-20	46,500	11.5	13.50	48,000	3.56	7.7	29,200	2.56
3506653	25HBB348A50	CNPV*4821A**	58MV(B,C)100-20	46,500	12.0	14.00	48,000	3.58	7.7	29,200	2.58
3506953	25HBB348A50	CNPV*4821A**+TDR		47,000	11.0	13.00	48,000	3.64	8.0	30,000	2.56
3506287	25HBB348A50	CNPV*4824A**	58CV(A,X)135-22	46,500	12.0	14.00	47,500	3.64	8.0	29,000	2.62
3506317	25HBB348A50	CNPV*4824A**	58CV(A,X)155-22	47,000	12.0	14.00	47,500	3.66	8.0	28,800	2.64
3506541	25HBB348A50	CNPV*4824A**	58MEB120-20	47,000	12.0	14.50	47,500	3.68	8.0	29,000	2.62
3506681	25HBB348A50	CNPV*4824A**	58MV(B,C)120-20	46,500	12.0	14.00	48,000	3.58	7.7	29,200	2.58
3506955	25HBB348A50	CNPV*4824A**+TDR		47,000	11.0	13.00	48,000	3.64	8.0	30,000	2.56
3506289	25HBB348A50	CNPV*6024A**	58CV(A,X)135-22	47,500	12.0	14.00	47,500	3.70	8.0	29,000	2.64
3506683	25HBB348A50	CNPV*6024A**	58MV(B,C)120-20	47,500	12.0	14.00	47,500	3.64	8.0	29,200	2.60
3506957	25HBB348A50	CNPV*6024A**+TDR		48,000	11.5	13.50	48,000	3.64	8.0	30,000	2.58
3506297	25HBB348A50	CSPH*4812A**	58CV(A,X)135-22	47,000	12.0	14.00	48,000	3.68	8.0	29,200	2.62
3506327	25HBB348A50	CSPH*4812A**	58CV(A,X)155-22	47,000	12.0	14.00	48,000	3.72	8.0	29,000	2.64
3506375	25HBB348A50	CSPH*4812A**	58HDV080--20	47,000	11.2	13.50	48,000	3.68	8.0	29,600	2.60
3506529	25HBB348A50	CSPH*4812A**	58MEB100-20	47,000	12.0	14.50	48,000	3.68	8.0	29,200	2.62
3506545	25HBB348A50	CSPH*4812A**	58MEB120-20	47,500	12.0	14.50	48,000	3.72	8.1	29,200	2.64
3506625	25HBB348A50	CSPH*4812A**	58MV(B,C)080-20	46,500	11.5	13.50	48,000	3.60	8.0	29,400	2.58
3506661	25HBB348A50	CSPH*4812A**	58MV(B,C)100-20	46,500	12.0	14.00	48,000	3.62	8.0	29,400	2.58
3506691	25HBB348A50	CSPH*4812A**	58MV(B,C)120-20	46,500	12.0	14.00	48,000	3.62	8.0	29,200	2.58
3506775	25HBB348A50	CSPH*4812A**	58PH*090-16	47,000	12.0	14.00	48,000	3.66	8.2	29,400	2.60

25HBB3

# COMBINATION RATINGS CONTINUED

ARI Ref. No.	Model Number	Coil Model Number	Furnace Model Number	Cooling Capacity	EER	SEER	High Temp		HSPF	Low Temp	
							E Capacity	E COP		H Capacity	H COP
3506821	25HBB348A50	CSPH*4812A**	58PH*135-20	47,000	12.0	14.00	48,000	3.66	8.0	29,200	2.60
3506965	25HBB348A50	CSPH*4812A**+TDR		47,500	11.0	13.00	48,000	3.70	8.0	30,000	2.58
3506299	25HBB348A50	CSPH*6012A**	58CV(A,X)135-22	48,000	12.0	14.00	47,000	3.74	8.2	29,000	2.66
3506329	25HBB348A50	CSPH*6012A**	58CV(A,X)155-22	48,000	12.0	14.00	47,000	3.76	8.2	29,000	2.68
3506403	25HBB348A50	CSPH*6012A**	58HDV100--20	47,500	11.5	14.00	48,000	3.74	8.2	29,400	2.64
3506501	25HBB348A50	CSPH*6012A**	58MEB080-16	48,000	12.0	14.00	47,500	3.72	8.1	29,600	2.64
3506547	25HBB348A50	CSPH*6012A**	58MEB120-20	48,500	12.5	14.50	47,000	3.78	8.2	29,200	2.68
3506627	25HBB348A50	CSPH*6012A**	58MV(B,C)080-20	47,500	12.0	14.00	47,500	3.66	8.0	29,400	2.62
3506823	25HBB348A50	CSPH*6012A**	58PH*135-20	48,000	12.0	14.50	47,500	3.76	8.2	29,200	2.66
3506967	25HBB348A50	CSPH*6012A**+TDR		48,000	11.5	13.50	48,000	3.68	8.2	30,200	2.62
3506973	25HBB348A60	FE4ANB006+UI		48,000	12.0	14.00	46,500	3.82	8.2	29,000	2.72
3506987	25HBB348A60	FV4BN(B,F)005		47,500	12.0	14.00	47,000	3.72	8.2	29,000	2.66
3506997	25HBB348A60	FV4CN(B,F)005		47,500	12.0	14.00	47,000	3.72	8.2	29,000	2.66
3506999	25HBB348A60	FV4CNB006		48,000	12.0	14.00	46,500	3.82	8.2	29,000	2.72
3507009	25HBB348A60	FX4CN(B,F)048		48,000	12.0	14.00	47,500	3.72	8.2	29,600	2.64
3507011	25HBB348A60	FX4CN(B,F)060		48,500	12.0	14.75	46,000	3.78	8.2	29,600	2.72
3507014	25HBB348A60	FY4ANB060		48,000	11.5	13.50	46,000	3.58	8.0	30,400	2.60
3506210	25HBB348A60	CAP**4817A**	58CV(A,X)090-16	46,500	12.0	14.00	47,500	3.64	8.0	29,400	2.60
3506917	25HBB348A60	CAP**4817A**+TDR		46,500	11.0	13.00	48,000	3.62	8.0	29,800	2.56
3506599	25HBB348A60	CAP**4821A**	58MV(B,C)080-20	46,000	11.5	13.50	48,000	3.58	7.7	29,200	2.56
3506635	25HBB348A60	CAP**4821A**	58MV(B,C)100-20	46,500	11.5	13.50	48,000	3.60	7.7	29,200	2.58
3506749	25HBB348A60	CAP**4821A**	58PH*090-16	46,500	12.0	14.00	48,000	3.64	8.0	29,200	2.60
3506919	25HBB348A60	CAP**4821A**+TDR		47,000	11.0	13.00	48,000	3.64	8.0	30,000	2.56
3506668	25HBB348A60	CAP**4824A**	58MV(B,C)120-20	46,000	12.0	14.00	47,500	3.60	7.7	29,200	2.58
3506810	25HBB348A60	CAP**4824A**	58PH*135-20	46,500	12.0	14.00	48,000	3.66	8.2	29,200	2.60
3506921	25HBB348A60	CAP**4824A**+TDR		47,000	11.0	13.00	47,500	3.64	8.0	30,000	2.56
3506245	25HBB348A60	CAP**6021A**	58CV(A,X)110-20	47,500	12.0	14.00	46,500	3.64	8.0	29,200	2.64
3506510	25HBB348A60	CAP**6021A**	58MEB100-20	48,000	12.5	14.50	46,500	3.68	8.1	29,200	2.66
3506601	25HBB348A60	CAP**6021A**	58MV(B,C)080-20	47,500	12.0	14.00	46,500	3.60	8.0	29,200	2.60
3506751	25HBB348A60	CAP**6021A**	58PH*090-16	48,000	12.0	14.50	46,500	3.66	8.2	29,400	2.64
3506786	25HBB348A60	CAP**6021A**	58PH*110-20	48,000	12.0	14.75	46,500	3.70	8.2	29,000	2.66
3506923	25HBB348A60	CAP**6021A**+TDR		48,000	11.5	13.50	45,500	3.54	8.0	30,200	2.60
3506306	25HBB348A60	CAP**6024A**	58CV(A,X)155-22	48,000	12.0	14.00	46,500	3.68	8.2	29,000	2.66
3506536	25HBB348A60	CAP**6024A**	58MEB120-20	48,000	12.0	14.50	46,500	3.70	8.1	29,200	2.66
3506925	25HBB348A60	CAP**6024A**+TDR		48,000	11.5	13.50	45,500	3.54	8.0	30,200	2.60
3506380	25HBB348A60	CAP**6025A**	58HDV100--20	47,500	11.5	14.00	47,500	3.66	8.0	29,400	2.62
3506930	25HBB348A60	CNPF*4818A**+TDR		46,000	11.0	13.00	48,000	3.46	7.7	29,600	2.52
3506218	25HBB348A60	CNPH*4821A**	58CV(A,X)090-16	46,500	12.0	14.00	48,000	3.58	7.7	29,200	2.58
3506253	25HBB348A60	CNPH*4821A**	58CV(A,X)110-20	46,500	12.0	14.00	48,000	3.60	8.0	29,000	2.60
3506314	25HBB348A60	CNPH*4821A**	58CV(A,X)155-22	47,000	12.0	14.00	47,500	3.66	8.0	28,800	2.64
3506366	25HBB348A60	CNPH*4821A**	58HDV080--20	46,500	11.2	13.50	48,000	3.64	8.0	29,600	2.58
3506388	25HBB348A60	CNPH*4821A**	58HDV100--20	46,500	11.2	13.50	48,000	3.62	8.1	29,400	2.60
3506484	25HBB348A60	CNPH*4821A**	58MEB080-16	47,000	11.5	13.50	48,500	3.62	8.0	29,400	2.58
3506516	25HBB348A60	CNPH*4821A**	58MEB100-20	47,000	12.0	14.00	48,000	3.64	8.0	29,200	2.62
3506645	25HBB348A60	CNPH*4821A**	58MV(B,C)100-20	46,500	12.0	14.00	48,000	3.58	7.7	29,200	2.58
3506759	25HBB348A60	CNPH*4821A**	58PH*090-16	47,000	12.0	14.00	48,000	3.62	8.0	29,200	2.60
3506792	25HBB348A60	CNPH*4821A**	58PH*110-20	47,000	12.0	14.50	48,000	3.64	8.0	29,000	2.62
3506814	25HBB348A60	CNPH*4821A**	58PH*135-20	47,000	12.0	14.00	48,000	3.62	8.0	29,200	2.60
3506938	25HBB348A60	CNPH*4821A**+TDR		47,000	11.0	13.00	48,000	3.64	8.0	30,000	2.56
3506255	25HBB348A60	CNPH*6024A**	58CV(A,X)110-20	47,500	12.0	14.00	47,500	3.66	8.0	29,200	2.62
3506286	25HBB348A60	CNPH*6024A**	58CV(A,X)135-22	47,500	12.0	14.00	47,500	3.70	8.0	29,000	2.64
3506316	25HBB348A60	CNPH*6024A**	58CV(A,X)155-22	47,500	12.0	14.00	47,000	3.72	8.2	29,000	2.66
3506368	25HBB348A60	CNPH*6024A**	58HDV080--20	47,500	11.5	14.00	48,000	3.70	8.1	29,600	2.62
3506390	25HBB348A60	CNPH*6024A**	58HDV100--20	47,500	11.5	14.00	48,000	3.70	8.0	29,400	2.62
3506540	25HBB348A60	CNPH*6024A**	58MEB120-20	48,000	12.5	14.50	47,500	3.74	8.1	29,200	2.66
3506611	25HBB348A60	CNPH*6024A**	58MV(B,C)080-20	47,000	12.0	14.00	47,500	3.62	8.0	29,200	2.60
3506647	25HBB348A60	CNPH*6024A**	58MV(B,C)100-20	47,500	12.0	14.00	47,500	3.64	8.0	29,200	2.60
3506761	25HBB348A60	CNPH*6024A**	58PH*090-16	48,000	12.0	14.50	47,500	3.68	8.2	29,400	2.64
3506816	25HBB348A60	CNPH*6024A**	58PH*135-20	48,000	12.0	14.75	47,500	3.70	8.2	29,200	2.64
3506940	25HBB348A60	CNPH*6024A**+TDR		48,000	11.5	13.50	48,000	3.64	8.0	30,000	2.58
3506262	25HBB348A60	CNPV*4821A**	58CV(A,X)110-20	46,500	12.0	14.00	48,000	3.60	8.0	29,000	2.60
3506524	25HBB348A60	CNPV*4821A**	58MEB100-20	47,000	12.0	14.00	47,500	3.64	8.0	29,200	2.62
3506654	25HBB348A60	CNPV*4821A**	58MV(B,C)100-20	46,500	12.0	14.00	48,000	3.58	7.7	29,200	2.58
3506800	25HBB348A60	CNPV*4821A**	58PH*110-20	47,000	12.0	14.50	48,000	3.64	8.0	29,000	2.62
3506954	25HBB348A60	CNPV*4821A**+TDR		47,000	11.0	13.00	48,000	3.64	8.0	30,000	2.56
3506288	25HBB348A60	CNPV*4824A**	58CV(A,X)135-22	46,500	12.0	14.00	47,500	3.64	8.0	29,000	2.62
3506318	25HBB348A60	CNPV*4824A**	58CV(A,X)155-22	47,000	12.0	14.00	47,500	3.66	8.0	28,800	2.64
3506392	25HBB348A60	CNPV*4824A**	58HDV100--20	46,500	11.2	13.50	48,000	3.62	8.1	29,400	2.60
3506818	25HBB348A60	CNPV*4824A**	58PH*135-20	47,000	12.0	14.00	48,000	3.62	8.0	29,200	2.60
3506956	25HBB348A60	CNPV*4824A**+TDR		47,000	11.0	13.00	48,000	3.64	8.0	30,000	2.56
3506290	25HBB348A60	CNPV*6024A**	58CV(A,X)135-22	47,500	12.0	14.00	47,500	3.70	8.0	29,000	2.64
3506544	25HBB348A60	CNPV*6024A**	58MEB120-20	48,000	12.5	14.50	47,500	3.74	8.1	29,200	2.66
3506820	25HBB348A60	CNPV*6024A**	58PH*135-20	48,000	12.0	14.75	47,500	3.70	8.2	29,200	2.64
3506958	25HBB348A60	CNPV*6024A**+TDR		48,000	11.5	13.50	48,000	3.64	8.0	30,000	2.58
3506234	25HBB348A60	CSPH*4812A**	58CV(A,X)090-16	47,000	12.0	14.00	48,000	3.64	8.0	29,200	2.60
3506270	25HBB348A60	CSPH*4812A**	58CV(A,X)110-20	47,000	12.0	14.00	48,000	3.66	8.0	29,200	2.60
3506402	25HBB348A60	CSPH*4812A**	58HDV100--20	46,500	11.2	13.50	48,000	3.64	8.2	29,400	2.60
3506530	25HBB348A60	CSPH*4812A**	58MEB100-20	47,000	12.0	14.50	48,000	3.68	8.0	29,200	2.62
3506546	25HBB348A60	CSPH*4812A**	58MEB120-20	47,500	12.0	14.50	48,000	3.72	8.1	29,200	2.64

25HBB3

See notes on page 34

# COMBINATION RATINGS CONTINUED

ARI Ref. No.	Model Number	Coil Model Number	Furnace Model Number	Cooling Capacity	EER	SEER	High Temp		HSPF	Low Temp	
							E Capacity	E COP		H Capacity	H COP
3506626	25HBB348A60	CSPH*4812A**	58MV(B,C)080-20	46,500	11.5	13.50	48,000	3.60	8.0	29,400	2.58
3506662	25HBB348A60	CSPH*4812A**	58MV(B,C)100-20	46,500	12.0	14.00	48,000	3.62	8.0	29,400	2.58
3506692	25HBB348A60	CSPH*4812A**	58MV(B,C)120-20	46,500	12.0	14.00	48,000	3.62	8.0	29,200	2.58
3506776	25HBB348A60	CSPH*4812A**	58PH*090-16	47,000	12.0	14.00	48,000	3.66	8.2	29,400	2.60
3506822	25HBB348A60	CSPH*4812A**	58PH*135-20	47,000	12.0	14.00	48,000	3.66	8.0	29,200	2.60
3506966	25HBB348A60	CSPH*4812A**+TDR		47,500	11.0	13.00	48,000	3.70	8.0	30,000	2.58
3506236	25HBB348A60	CSPH*6012A**	58CV(A,X)090-16	47,500	12.0	14.00	47,500	3.68	8.0	29,200	2.64
3506272	25HBB348A60	CSPH*6012A**	58CV(A,X)110-20	47,500	12.0	14.00	47,500	3.72	8.2	29,200	2.64
3506330	25HBB348A60	CSPH*6012A**	58CV(A,X)155-22	48,000	12.0	14.00	47,000	3.76	8.2	29,000	2.68
3506378	25HBB348A60	CSPH*6012A**	58HDV080-20	48,000	11.5	14.00	48,000	3.74	8.2	29,800	2.64
3506404	25HBB348A60	CSPH*6012A**	58HDV100-20	47,500	11.5	14.00	48,000	3.74	8.2	29,400	2.64
3506502	25HBB348A60	CSPH*6012A**	58MEB080-16	48,000	12.0	14.00	47,500	3.72	8.1	29,600	2.64
3506532	25HBB348A60	CSPH*6012A**	58MEB100-20	48,000	12.5	14.50	47,000	3.76	8.2	29,200	2.68
3506628	25HBB348A60	CSPH*6012A**	58MV(B,C)080-20	47,500	12.0	14.00	47,500	3.66	8.0	29,400	2.62
3506664	25HBB348A60	CSPH*6012A**	58MV(B,C)100-20	47,500	12.0	14.00	47,500	3.68	8.0	29,200	2.62
3506694	25HBB348A60	CSPH*6012A**	58MV(B,C)120-20	47,500	12.0	14.00	47,500	3.68	8.0	29,200	2.62
3506778	25HBB348A60	CSPH*6012A**	58PH*090-16	48,000	12.0	14.50	47,500	3.74	8.2	29,400	2.66
3506808	25HBB348A60	CSPH*6012A**	58PH*110-20	48,000	12.0	14.75	47,000	3.76	8.2	29,200	2.68
3506824	25HBB348A60	CSPH*6012A**	58PH*135-20	48,000	12.0	14.50	47,500	3.76	8.2	29,200	2.66
3506968	25HBB348A60	CSPH*6012A**+TDR		48,000	11.5	13.50	48,000	3.68	8.2	30,200	2.62
3286209	25HBB360(A,W)31	†FY4ANB060		58,500	10.8	13.00	58,000	3.52	7.7	37,000	2.50
3286196	25HBB360(A,W)31	FE4ANB006+UI		59,500	11.2	13.50	57,000	3.68	8.0	36,000	2.60
3286197	25HBB360(A,W)31	FV4BNB006		59,500	11.5	14.00	57,000	3.68	8.0	36,000	2.60
3405710	25HBB360(A,W)31	FV4CNB006		59,500	11.5	14.00	57,000	3.68	8.0	36,000	2.60
3286210	25HBB360(A,W)31	FX4CN(B,F)060		59,000	11.2	13.50	57,500	3.66	7.7	36,200	2.58
3286191	25HBB360(A,W)31	CAP**6021A**	58CV(A,X)110-20	58,000	11.0	13.20	57,500	3.52	7.7	36,400	2.52
3286181	25HBB360(A,W)31	CAP**6021A**	58MEB100-20	58,000	11.0	13.00	57,000	3.52	7.7	36,000	2.52
3286190	25HBB360(A,W)31	CAP**6021A**	58MV(B,C)100-20	57,500	10.8	13.00	57,500	3.46	7.7	36,600	2.48
3286171	25HBB360(A,W)31	CAP**6021A**	58PH*090-16	58,000	11.0	13.00	57,000	3.50	7.7	36,200	2.50
3286172	25HBB360(A,W)31	CAP**6021A**	58PH*110-20	58,500	11.0	13.50	57,000	3.56	7.7	36,200	2.54
3286166	25HBB360(A,W)31	CAP**6021A**+TDR		58,000	10.8	13.00	57,500	3.52	7.7	36,600	2.50
3286193	25HBB360(A,W)31	CAP**6024A**	58CV(A,X)135-22	58,000	11.0	13.20	57,000	3.54	7.7	36,200	2.54
3286182	25HBB360(A,W)31	CAP**6024A**	58MEB120-20	58,000	11.0	13.50	57,000	3.52	7.7	36,000	2.54
3286192	25HBB360(A,W)31	CAP**6024A**	58MV(B,C)120-20	57,500	10.8	13.00	57,500	3.46	7.7	36,600	2.48
3286173	25HBB360(A,W)31	CAP**6024A**	58PH*135-20	58,000	11.0	13.00	57,000	3.50	7.7	36,200	2.52
3286167	25HBB360(A,W)31	CAP**6024A**+TDR		58,000	10.8	13.00	57,500	3.52	7.7	36,600	2.50
3286201	25HBB360(A,W)31	CNPH*6024A**	58CV(A,X)110-20	58,000	11.0	13.20	57,500	3.48	7.7	36,200	2.50
3286203	25HBB360(A,W)31	CNPH*6024A**	58CV(A,X)155-22	58,000	11.2	13.50	57,500	3.54	7.7	36,000	2.56
3286186	25HBB360(A,W)31	CNPH*6024A**	58MEB120-20	58,000	11.0	13.50	57,000	3.50	7.7	36,000	2.54
3286200	25HBB360(A,W)31	CNPH*6024A**	58MV(B,C)120-20	57,500	10.8	13.00	58,000	3.44	7.7	36,400	2.48
3286175	25HBB360(A,W)31	CNPH*6024A**	58PH*090-16	57,500	11.0	13.00	57,500	3.44	7.7	36,200	2.50
3286176	25HBB360(A,W)31	CNPH*6024A**	58PH*110-20	58,000	11.0	13.50	57,500	3.50	7.7	36,000	2.54
3286177	25HBB360(A,W)31	CNPH*6024A**	58PH*135-20	58,000	11.0	13.00	57,500	3.48	7.7	36,200	2.52
3286169	25HBB360(A,W)31	CNPH*6024A**+TDR		58,000	10.8	13.00	58,000	3.48	7.7	36,600	2.50
3286198	25HBB360(A,W)31	CNPV*6024A**	58CV(A,X)135-22	58,000	11.0	13.20	57,500	3.52	7.7	36,000	2.54
3286199	25HBB360(A,W)31	CNPV*6024A**	58CV(A,X)155-22	58,000	11.2	13.50	57,500	3.54	7.7	36,000	2.56
3286195	25HBB360(A,W)31	CNPV*6024A**	58MV(B,C)120-20	57,500	10.8	13.00	58,000	3.44	7.7	36,400	2.48
3286168	25HBB360(A,W)31	CNPV*6024A**+TDR		58,000	10.8	13.00	58,000	3.48	7.7	36,600	2.50
3286206	25HBB360(A,W)31	CSPH*6012A**	58CV(A,X)110-20	58,500	11.0	13.20	58,000	3.56	7.7	36,400	2.54
3286207	25HBB360(A,W)31	CSPH*6012A**	58CV(A,X)135-22	58,500	11.2	13.50	57,500	3.58	7.7	36,200	2.56
3286208	25HBB360(A,W)31	CSPH*6012A**	58CV(A,X)155-22	58,500	11.2	13.50	57,500	3.62	7.7	36,000	2.58
3286187	25HBB360(A,W)31	CSPH*6012A**	58MEB080-16	57,500	10.5	13.00	57,500	3.46	7.7	36,200	2.50
3286188	25HBB360(A,W)31	CSPH*6012A**	58MEB100-20	58,000	11.0	13.50	57,500	3.54	7.7	36,200	2.54
3286189	25HBB360(A,W)31	CSPH*6012A**	58MEB120-20	58,500	11.0	13.50	57,500	3.58	7.8	36,000	2.56
3286204	25HBB360(A,W)31	CSPH*6012A**	58MV(B,C)100-20	58,000	10.8	13.00	58,000	3.48	7.7	36,600	2.48
3286205	25HBB360(A,W)31	CSPH*6012A**	58MV(B,C)120-20	58,000	10.8	13.00	58,000	3.50	7.7	36,400	2.50
3286180	25HBB360(A,W)31	CSPH*6012A**	58PH*135-20	58,500	11.0	13.00	57,500	3.56	7.7	36,200	2.54
3286170	25HBB360(A,W)31	CSPH*6012A**+TDR		58,500	10.8	13.00	58,000	3.56	7.7	36,600	2.52
3509637	25HBB360A51	†FY4ANB060		58,500	10.8	13.00	58,000	3.52	7.7	37,000	2.50
3509629	25HBB360A51	FE4ANB006+UI		59,500	11.2	13.50	57,000	3.68	8.0	36,000	2.60
3509633	25HBB360A51	FV4CNB006		59,500	11.5	14.00	57,000	3.68	8.0	36,000	2.60
3509635	25HBB360A51	FX4CN(B,F)060		59,000	11.2	13.50	57,500	3.66	7.7	36,200	2.58
3509557	25HBB360A51	CAP**6021A**	58CV(A,X)110-20	58,000	11.0	13.20	57,500	3.52	7.7	36,400	2.52
3509597	25HBB360A51	CAP**6021A**	58MV(B,C)100-20	57,500	10.8	13.00	57,500	3.46	7.7	36,600	2.48
3509615	25HBB360A51	CAP**6021A**	58PH*110-20	58,500	11.0	13.50	57,000	3.56	7.7	36,200	2.54
3509563	25HBB360A51	CAP**6024A**	58CV(A,X)135-22	58,000	11.0	13.20	57,000	3.54	7.7	36,200	2.54
3509571	25HBB360A51	CAP**6024A**	58CV(A,X)155-22	58,500	11.2	13.50	57,000	3.58	7.7	36,000	2.56
3509589	25HBB360A51	CAP**6024A**	58MEB120-20	58,000	11.0	13.50	57,000	3.52	7.7	36,000	2.54
3509559	25HBB360A51	CNPH*6024A**	58CV(A,X)110-20	58,000	11.0	13.20	57,500	3.48	7.7	36,200	2.50
3509565	25HBB360A51	CNPH*6024A**	58CV(A,X)135-22	58,000	11.0	13.20	57,500	3.52	7.7	36,000	2.54
3509603	25HBB360A51	CNPH*6024A**	58MV(B,C)120-20	57,500	10.8	13.00	58,000	3.44	7.7	36,400	2.48
3509575	25HBB360A51	CNPV*6024A**	58CV(A,X)155-22	58,000	11.2	13.50	57,500	3.54	7.7	36,000	2.56
3509605	25HBB360A51	CNPV*6024A**	58MV(B,C)120-20	57,500	10.8	13.00	58,000	3.44	7.7	36,400	2.48
3509599	25HBB360A51	CSPH*6012A**	58MV(B,C)100-20	58,000	10.8	13.00	58,000	3.48	7.7	36,600	2.48
3509627	25HBB360A51	CSPH*6012A**	58PH*135-20	58,500	11.0	13.00	57,500	3.56	7.7	36,200	2.54
3509638	25HBB360A61	†FY4ANB060		58,500	10.8	13.00	58,000	3.52	7.7	37,000	2.50
3509632	25HBB360A61	FV4BNB006		59,500	11.5	14.00	57,000	3.68	8.0	36,000	2.60

25HBB3

# COMBINATION RATINGS CONTINUED

ARI Ref. No.	Model Number	Coil Model Number	Furnace Model Number	Cooling Capacity	EER	SEER	High Temp		HSPF	Low Temp	
							E Capacity	E COP		H Capacity	H COP
3509634	25HBB360A61	FV4CNB006		59,500	11.5	14.00	57,000	3.68	8.0	36,000	2.60
3509584	25HBB360A61	CAP**6021A**	58MEB100-20	58,000	11.0	13.00	57,000	3.52	7.7	36,000	2.52
3509598	25HBB360A61	CAP**6021A**	58MV(B,C)100-20	57,500	10.8	13.00	57,500	3.46	7.7	36,600	2.48
3509564	25HBB360A61	CAP**6024A**	58CV(A,X)135-22	58,000	11.0	13.20	57,000	3.54	7.7	36,200	2.54
3509590	25HBB360A61	CAP**6024A**	58MEB120-20	58,000	11.0	13.50	57,000	3.52	7.7	36,000	2.54
3509602	25HBB360A61	CAP**6024A**	58MV(B,C)120-20	57,500	10.8	13.00	57,500	3.46	7.7	36,600	2.48
3509560	25HBB360A61	CNPH*6024A**	58CV(A,X)110-20	58,000	11.0	13.20	57,500	3.48	7.7	36,200	2.50
3509566	25HBB360A61	CNPH*6024A**	58CV(A,X)135-22	58,000	11.0	13.20	57,500	3.52	7.7	36,000	2.54
3509580	25HBB360A61	CNPH*6024A**	58MEB080-16	57,500	10.5	13.00	57,500	3.38	7.7	36,200	2.48
3509586	25HBB360A61	CNPH*6024A**	58MEB100-20	58,000	11.0	13.00	57,500	3.46	7.7	36,000	2.52
3509592	25HBB360A61	CNPH*6024A**	58MEB120-20	58,000	11.0	13.50	57,000	3.50	7.7	36,000	2.54
3509612	25HBB360A61	CNPH*6024A**	58PH*090-16	57,500	11.0	13.00	57,500	3.44	7.7	36,200	2.50
3509618	25HBB360A61	CNPH*6024A**	58PH*110-20	58,000	11.0	13.50	57,500	3.50	7.7	36,000	2.54
3509624	25HBB360A61	CNPH*6024A**	58PH*135-20	58,000	11.0	13.00	57,500	3.48	7.7	36,200	2.52
3509568	25HBB360A61	CNPV*6024A**	58CV(A,X)135-22	58,000	11.0	13.20	57,500	3.52	7.7	36,000	2.54
3509606	25HBB360A61	CNPV*6024A**	58MV(B,C)120-20	57,500	10.8	13.00	58,000	3.44	7.7	36,400	2.48
3509578	25HBB360A61	CSPH*6012A**	58CV(A,X)155-22	58,500	11.2	13.50	57,500	3.62	7.7	36,000	2.58
3509582	25HBB360A61	CSPH*6012A**	58MEB080-16	57,500	10.5	13.00	57,500	3.46	7.7	36,200	2.50
3509600	25HBB360A61	CSPH*6012A**	58MV(B,C)100-20	58,000	10.8	13.00	58,000	3.48	7.7	36,600	2.48
3509628	25HBB360A61	CSPH*6012A**	58PH*135-20	58,500	11.0	13.00	57,500	3.56	7.7	36,200	2.54

\* Ratings are net values reflecting the effects of circulating fan heat. Supplemental electric heat is not included. Ratings are based on:  
**Cooling Standard:** 80°F (27°C) db 67°F (19°C) wb indoor entering air temperature and 95°F (35°C) db air entering outdoor unit.  
**High-Temp Heating Standard:** 70°F (21°C) db indoor entering air temperature and 47°F (8°C) db 43°F (6°C) wb air entering outdoor unit.  
**Low-Temp Heating Standard:** 70°F (21°C) db indoor entering air temperature and 17°F (-8°C) db 15°F (-9°C) wb air entering outdoor unit.

**COP** — Coefficient of Performance

**EER** — Energy Efficiency Ratio

**HSPF** — Heating Seasonal Performance Factor

**SEER** — Seasonal Energy Efficiency Ratio

**TDR** — Time-Delay Relay

**UI** — User Interface

25HBB3

# DETAILED COOLING CAPACITIES#

EVAPORATOR AIR		CONDENSER ENTERING AIR TEMPERATURES ° F (° C)																	
		75 (23.9)			85 (29.4)			95 (35)			105 (40.6)			115 (46.1)			125 (51.7)		
		CFM	EWB ° F (° C)	Capacity MBtuh		Total System KW**	Capacity MBtuh		Total System KW**	Capacity MBtuh		Total System KW**	Capacity MBtuh		Total System KW**	Capacity MBtuh		Total System KW**	
Total	Sens†			Total	Sens†		Total	Sens†		Total	Sens†		Total	Sens†		Total	Sens†		
		<b>25HBB318(A)W30 Outdoor Section With FY4ANF018 Indoor Section</b>																	
	72 (22.2)	20.67	10.45	19.67	1.27	10.06	1.41	18.62	9.67	1.57	17.52	9.26	1.75	16.35	8.83	1.95	15.07	8.36	2.16
	67 (19.4)	18.85	12.98	17.92	1.27	12.58	1.42	16.94	12.17	1.58	15.91	11.74	1.76	14.81	11.29	1.96	13.62	10.80	2.17
<b>525</b>	63 (17.2)†	17.51	12.54	16.63	1.26	12.14	1.42	15.71	11.73	1.59	14.73	11.29	1.76	13.69	10.83	1.96	12.57	10.34	2.17
	62 (16.7)	17.17	15.48	16.31	1.28	15.06	1.43	15.42	14.61	1.59	14.49	14.12	1.77	13.59	13.59	1.96	12.88	12.88	2.17
	57 (13.9)	16.59	16.59	15.91	1.28	15.91	1.43	15.18	15.18	1.59	14.41	14.41	1.77	13.59	13.59	1.96	12.68	12.68	2.17
	72 (22.2)	21.03	10.92	19.99	1.29	10.53	1.44	18.89	10.13	1.60	17.76	9.71	1.78	16.55	9.28	1.98	15.23	8.81	2.19
	67 (19.4)	19.19	13.77	18.22	1.30	13.37	1.45	17.20	12.95	1.61	16.13	12.51	1.79	15.01	12.06	1.98	13.78	11.56	2.20
<b>600</b>	63 (17.2)†	17.84	13.29	16.93	1.30	12.89	1.45	15.96	12.46	1.61	14.95	12.02	1.79	13.88	11.55	1.99	12.72	11.05	2.20
	62 (16.7)	17.53	16.55	16.65	1.31	16.09	1.45	15.76	15.76	1.61	14.93	14.93	1.79	14.06	14.06	1.99	13.10	13.10	2.20
	57 (13.9)	17.25	17.25	16.52	1.31	16.52	1.45	15.75	15.75	1.61	14.94	14.94	1.79	14.06	14.06	1.99	13.10	13.10	2.20
	72 (22.2)	21.29	11.37	20.22	1.32	10.97	1.47	19.09	10.57	1.63	17.93	10.15	1.81	16.69	9.71	2.00	15.34	9.24	2.22
	67 (19.4)	19.44	14.53	18.44	1.33	14.12	1.47	17.39	13.70	1.63	16.30	13.25	1.81	15.14	12.78	2.01	13.89	12.27	2.22
<b>675</b>	63 (17.2)†	18.09	14.01	17.14	1.33	13.59	1.48	16.15	13.16	1.64	15.12	12.71	1.82	14.02	12.22	2.02	12.84	11.70	2.23
	62 (16.7)	17.84	17.70	17.02	1.33	17.02	1.48	16.21	16.21	1.64	15.36	15.36	1.82	14.45	14.45	2.01	13.44	13.44	2.23
	57 (13.9)	17.79	17.79	17.02	1.33	17.02	1.48	16.22	16.22	1.64	15.36	15.36	1.82	14.45	14.45	2.01	13.44	13.44	2.23

COOLING INDOOR MODEL	CAPACITY	POWER	FURNACE MODEL	COOLING		FURNACE MODEL	
				INDOOR MODEL	CAPACITY	POWER	FURNACE MODEL
*FY4ANF018	1.00	1.00		CNPH*2417A**	1.01	0.90	58MV(B,C)040-14
FE4ANF002	1.03	0.92		CSPH*2412A**	1.02	0.91	58MV(B,C)040-14
FF1ENP018	1.00	1.01		CAP**2417A**	1.01	0.90	58MV(B,C)060-14
FF1ENP024	1.01	1.00		CNPH*2417A**	1.01	0.90	58MV(B,C)060-14
FV4BNF002	1.03	0.92		CNPH*2417A**	1.01	0.90	58MV(B,C)060-14
FX4CNF018	1.01	0.94		CSPH*2412A**	1.02	0.91	58MV(B,C)060-14
FX4CNF024	1.02	0.91		CNPH*2417A**	1.01	0.90	58MV(B,C)060-14
FY4ANF024	1.01	1.02		CAP**1814A**	1.00	0.93	58PH*045-08
CAP**2414A**	1.02	1.01		CAP**2414A**	1.01	0.90	58PH*045-08
CAP**2417A**	1.02	1.01		CNPH*2417A**	1.01	0.90	58PH*045-08
CNPF*2418A**	1.02	1.01		CNPH*2417A**	1.01	0.93	58PH*045-08
CNPH*2417A**	1.02	1.01		CNPH*2417A**	1.01	0.90	58PH*045-08
CNPH*1814A**	1.01	1.00		CNPH*2417A**	1.01	0.90	58PH*045-08
CNPH*2414A**	1.02	1.01		CSPH*2412A**	1.01	0.90	58PH*045-08
CNPH*2417A**	1.02	1.01		CSPH*2412A**	1.01	0.90	58PH*045-08
CSPH*2412A**	1.03	0.93		CSPH*2412A**	1.01	0.90	58PH*045-08
CAP**1814A**	0.99	0.90	58CV(A,X)070-12				
CAP**2414A**	1.01	0.90	58CV(A,X)070-12				
CNPH*2417A**	1.01	0.90	58CV(A,X)070-12				
CNPH*1814A**	1.01	0.94	58CV(A,X)070-12				
CNPH*2414A**	1.01	0.90	58CV(A,X)070-12				
CSPH*2412A**	1.02	0.91	58CV(A,X)070-12				
CAP**2417A**	1.01	0.90	58CV(A,X)090-16				
CNPH*2417A**	1.02	0.91	58CV(A,X)090-16				
CNPH*2417A**	1.02	0.91	58CV(A,X)090-16				
CSPH*2412A**	1.02	0.91	58CV(A,X)090-16				
CAP**2417A**	1.05	0.93	58MEB040-12				
CNPH*2417A**	1.04	0.93	58MEB040-12				
CNPH*2417A**	1.04	0.93	58MEB040-12				
CSPH*2412A**	1.04	0.93	58MEB040-12				
CAP**2417A**	1.04	0.93	58MEB060-12				
CNPH*2417A**	1.02	0.91	58MEB060-12				
CNPH*2417A**	1.02	0.91	58MEB060-12				
CSPH*2412A**	1.02	0.91	58MEB060-12				

See notes on page 45



# DETAILED COOLING CAPACITIES# CONTINUED

EVAPORATOR AIR		CONDENSER ENTERING AIR TEMPERATURES ° F (° C)																							
		75 (23.9)				85 (29.4)				95 (35)				105 (40.6)				115 (46.1)				125 (51.7)			
		CFM	EWB ° F (° C)	Capacity MBtuh		Total System KW**	Capacity MBtuh		Total System KW**	Capacity MBtuh		Total System KW**	Capacity MBtuh		Total System KW**	Capacity MBtuh		Total System KW**	Capacity MBtuh		Total System KW**				
Total	Sens†			Total	Sens†		Total	Sens†		Total	Sens†		Total	Sens†		Total	Sens†		Total	Sens†					
875	72 (22.2)	35.79	17.64	2.16	34.09	16.98	2.44	32.29	16.30	2.74	30.43	15.61	3.07	28.40	14.86	3.43	26.15	14.05	3.82						
	67 (19.4)	32.75	21.77	2.16	31.19	21.11	2.43	29.54	20.42	2.73	27.82	19.70	3.07	25.96	18.94	3.43	23.92	18.12	3.83						
	63 (17.2)††	30.50	21.10	2.15	29.04	20.44	2.43	27.50	19.74	2.73	25.89	19.02	3.07	24.15	18.26	3.43	22.26	17.45	3.83						
	62 (16.7)	29.92	25.87	2.15	28.49	25.18	2.43	26.99	24.45	2.73	25.43	23.67	3.06	23.79	22.80	3.43	22.14	22.14	3.83						
	57 (13.9)	28.64	28.64	2.15	27.51	27.51	2.42	26.31	26.31	2.73	25.04	25.04	3.07	23.68	23.68	3.43	22.14	22.14	3.83						
	72 (22.2)	36.41	18.38	2.21	34.64	17.72	2.48	32.77	17.03	2.78	30.84	16.33	3.12	28.73	15.57	3.48	26.40	14.75	3.87						
	67 (19.4)	33.35	23.03	2.20	31.72	22.36	2.48	30.00	21.65	2.78	28.22	20.92	3.11	26.27	20.15	3.47	24.17	19.31	3.87						
	63 (17.2)††	31.09	22.29	2.20	29.56	21.61	2.47	27.96	20.90	2.78	26.27	20.17	3.11	24.47	19.39	3.47	22.52	18.55	3.87						
	62 (16.7)	30.53	27.59	2.20	29.06	26.85	2.47	27.52	26.05	2.77	25.93	25.93	3.11	24.45	24.45	3.48	22.82	22.82	3.87						
	57 (13.9)	29.74	29.74	2.20	28.54	28.54	2.47	27.26	27.26	2.77	25.91	25.91	3.11	24.45	24.45	3.48	22.83	22.83	3.87						
1000	72 (22.2)	36.88	19.09	2.25	35.06	18.43	2.53	33.12	17.73	2.83	31.13	17.01	3.16	28.96	16.25	3.52	26.56	15.42	3.91						
	67 (19.4)	33.80	24.25	2.25	32.12	23.56	2.52	30.34	22.85	2.82	28.49	22.10	3.16	26.51	21.31	3.52	24.44	20.44	3.91						
	63 (17.2)††	31.54	23.44	2.24	29.96	22.75	2.52	28.30	22.03	2.82	26.56	21.28	3.15	24.71	20.48	3.52	22.71	19.60	3.92						
	62 (16.7)	31.05	29.15	2.24	29.55	28.32	2.52	28.04	28.04	2.82	26.61	26.61	3.15	25.08	25.08	3.52	23.36	23.36	3.92						
	57 (13.9)	30.66	30.66	2.24	29.39	29.39	2.52	28.04	28.04	2.82	26.62	26.62	3.15	25.08	25.08	3.52	23.37	23.37	3.92						

## 25HBB330(A,W)30, 50 Outdoor Section With FV4ANF030 Indoor Section

COOLING INDOOR MODEL	CAPACITY	POWER	FURNACE MODEL	COOLING INDOOR MODEL		CAPACITY	POWER	FURNACE MODEL	COOLING INDOOR MODEL		CAPACITY	POWER	FURNACE MODEL		
				CAP**3017A**	CSPH**3612A**				CAP**3017A**	CSPH**3612A**					
*FV4ANF030	1.00	1.00		CNPH**3617A**	1.00	0.94	58CV(A,X)090-16	CNPH**3617A**	1.00	0.94	58CV(A,X)090-16	CNPH**3617A**	1.00	0.94	58MEB080-12
FE4AN(B,F)003	1.00	0.90		CNPH**3617A**	1.00	0.94	58CV(A,X)090-16	CNPH**3617A**	1.00	0.94	58CV(A,X)090-16	CNPH**3617A**	1.00	0.94	58MEB080-12
FE4ANF002	1.00	0.94		CNPH**3617A**	1.00	0.94	58CV(A,X)090-16	CNPH**3617A**	1.00	0.94	58CV(A,X)090-16	CNPH**3617A**	1.00	0.94	58MEB080-12
FF1ENP030	0.99	0.99		CSPH**3612A**	1.00	0.94	58CV(A,X)090-16	CSPH**3612A**	1.00	0.94	58CV(A,X)090-16	CSPH**3612A**	1.00	0.94	58MEB080-12
FF1ENP036	1.00	1.00		CSPH**3612A**	1.00	0.90	58CV(A,X)090-16	CSPH**3612A**	1.00	0.90	58CV(A,X)090-16	CSPH**3612A**	1.00	0.94	58MEB080-12
FV4BN(B,F)003	1.00	0.90		CAP**3621A**	1.00	0.94	58CV(A,X)110-20	CAP**3621A**	1.00	0.94	58CV(A,X)110-20	CAP**3621A**	1.00	0.94	58MEB080-12
FV4BNF002	1.00	0.94		CNPH**3017A**	1.00	0.94	58CV(A,X)110-20	CNPH**3017A**	1.00	0.94	58CV(A,X)110-20	CNPH**3017A**	1.00	0.94	58MEB080-12
FX4CN(B,F)036	1.00	0.95		CNPH**3617A**	1.00	0.94	58CV(A,X)110-20	CNPH**3617A**	1.00	0.94	58CV(A,X)110-20	CNPH**3617A**	1.00	0.94	58MEB080-12
FX4CNF030	1.00	0.94		CNPH**3621A**	1.00	0.94	58CV(A,X)110-20	CNPH**3621A**	1.00	0.94	58CV(A,X)110-20	CNPH**3621A**	1.00	0.94	58MEB080-12
FV4ANF036	1.00	1.01		CSPH**3012A**	1.00	0.94	58CV(A,X)110-20	CSPH**3012A**	1.00	0.94	58CV(A,X)110-20	CSPH**3012A**	1.00	0.94	58MEB080-16
CAP**3014A**	1.00	1.00		CSPH**3612A**	1.00	0.90	58CV(A,X)110-20	CSPH**3612A**	1.00	0.90	58CV(A,X)110-20	CSPH**3612A**	1.00	0.94	58MEB080-16
CAP**3017A**	1.00	1.00		CNPH**3017A**	1.00	0.94	58CV(A,X)135-22	CNPH**3017A**	1.00	0.94	58CV(A,X)135-22	CNPH**3017A**	1.00	0.94	58MEB080-16
CAP**3614A**	1.00	1.00		CNPH**3617A**	1.00	0.94	58CV(A,X)135-22	CNPH**3617A**	1.00	0.94	58CV(A,X)135-22	CNPH**3617A**	1.00	0.94	58MEB080-16
CAP**3617A**	1.00	1.00		CSPH**3012A**	1.00	0.94	58CV(A,X)135-22	CSPH**3012A**	1.00	0.94	58CV(A,X)135-22	CSPH**3012A**	1.00	0.94	58MEB080-16
CAP**3621A**	1.00	1.00		CNPH**3017A**	1.00	0.90	58CV(A,X)155-22	CNPH**3017A**	1.00	0.90	58CV(A,X)155-22	CNPH**3017A**	1.00	0.94	58MEB080-16
CNPF**3616A**	1.00	1.00		CNPH**3017A**	1.00	0.94	58CV(A,X)155-22	CNPH**3017A**	1.00	0.94	58CV(A,X)155-22	CNPH**3017A**	1.00	0.94	58MEB080-16
CNPH**3017A**	1.00	1.00		CSPH**3617A**	1.00	0.94	58CV(A,X)155-22	CSPH**3617A**	1.00	0.94	58CV(A,X)155-22	CSPH**3617A**	1.00	0.94	58MEB080-16
CNPH**3617A**	1.00	1.00		CSPH**3012A**	1.00	0.94	58CV(A,X)155-22	CSPH**3012A**	1.00	0.94	58CV(A,X)155-22	CSPH**3012A**	1.00	0.94	58MEB080-16
CNPV**3014A**	1.00	1.00		CSPH**3612A**	1.00	0.90	58CV(A,X)155-22	CSPH**3612A**	1.00	0.90	58CV(A,X)155-22	CSPH**3612A**	1.00	0.94	58MEB080-16
CNPV**3017A**	1.00	1.00		CAP**3017A**	1.00	0.94	58MEB040-12	CAP**3017A**	1.00	0.94	58MEB040-12	CAP**3017A**	1.00	0.94	58MEB080-14
CNPV**3617A**	1.00	1.00		CAP**3617A**	1.00	0.94	58MEB040-12	CAP**3617A**	1.00	0.94	58MEB040-12	CAP**3617A**	1.00	0.94	58MEB080-14
CNPV**3621A**	1.00	1.00		CNPH**3017A**	1.00	0.94	58MEB040-12	CNPH**3017A**	1.00	0.94	58MEB040-12	CNPH**3017A**	1.00	0.94	58MEB080-14
CSPH**3012A**	1.00	1.00		CNPH**3617A**	1.00	0.94	58MEB040-12	CNPH**3617A**	1.00	0.94	58MEB040-12	CNPH**3617A**	1.00	0.94	58MEB080-14
CSPH**3612A**	1.00	1.00		CAP**3017A**	1.00	0.94	58MEB040-12	CAP**3017A**	1.00	0.94	58MEB040-12	CAP**3017A**	1.00	0.94	58MEB080-14
CSPH**3612A**	1.00	1.00		CNPH**3017A**	1.00	0.94	58MEB040-12	CNPH**3017A**	1.00	0.94	58MEB040-12	CNPH**3017A**	1.00	0.94	58MEB080-14
CAP**3014A**	1.00	0.94		CNPV**3617A**	1.00	0.94	58MEB040-12	CNPV**3617A**	1.00	0.94	58MEB040-12	CNPV**3617A**	1.00	0.94	58MEB080-14
CAP**3614A**	1.00	0.94		CSPH**3012A**	1.00	0.94	58MEB040-12	CSPH**3012A**	1.00	0.94	58MEB040-12	CSPH**3012A**	1.00	0.94	58MEB080-14
CNPH**3017A**	1.00	0.94		CSPH**3612A**	1.00	0.90	58MEB040-12	CSPH**3612A**	1.00	0.90	58MEB040-12	CSPH**3612A**	1.00	0.94	58MEB080-14
CNPH**3617A**	1.00	0.94		CAP**3017A**	1.00	0.94	58MEB060-12	CAP**3017A**	1.00	0.94	58MEB060-12	CAP**3017A**	1.00	0.94	58MEB080-14
CNPH**3014A**	1.00	0.96		CAP**3617A**	1.00	0.94	58MEB060-12	CAP**3617A**	1.00	0.94	58MEB060-12	CAP**3617A**	1.00	0.94	58MEB080-14
CSPH**3012A**	1.00	0.94		CNPH**3017A**	1.00	0.94	58MEB060-12	CNPH**3017A**	1.00	0.94	58MEB060-12	CNPH**3017A**	1.00	0.94	58MEB080-14
CSPH**3612A**	1.00	0.94		CNPH**3617A**	1.00	0.94	58MEB060-12	CNPH**3617A**	1.00	0.94	58MEB060-12	CNPH**3617A**	1.00	0.94	58MEB080-14
CAP**3017A**	1.00	0.94		CNPV**3017A**	1.00	0.94	58MEB060-12	CNPV**3017A**	1.00	0.94	58MEB060-12	CNPV**3017A**	1.00	0.94	58MEB080-14
CAP**3617A**	0.10	0.09		CNPV**3617A**	1.00	0.94	58MEB060-12	CNPV**3617A**	1.00	0.94	58MEB060-12	CNPV**3617A**	1.00	0.94	58MEB080-14
CNPH**3017A**	1.00	0.94		CSPH**3012A**	1.00	0.94	58MEB060-12	CSPH**3012A**	1.00	0.94	58MEB060-12	CSPH**3012A**	1.00	0.94	58MEB080-14

25HBB3

**DETAILED COOLING CAPACITIES# CONTINUED**

25HBB330(A,W)30, 50 Outdoor Section With FY4ANF030 Indoor Section

COOLING INDOOR MODEL	CAPACITY	POWER	FURNACE MODEL
CSPH*3612A**	1.00	0.94	58MV(B,C)080-14
CAP**3621A**	1.00	0.94	58MV(B,C)080-20
CNPV*3017A**	1.00	0.94	58MV(B,C)080-20
CNPV*3617A**	1.00	0.94	58MV(B,C)080-20
CNPV*3621A**	1.00	0.94	58MV(B,C)080-20
CSPH*3012A**	1.00	0.94	58MV(B,C)080-20
CAP**3621A**	1.00	0.94	58MV(B,C)100-20
CNPV*3017A**	1.00	0.94	58MV(B,C)100-20
CNPV*3617A**	1.00	0.94	58MV(B,C)100-20
CNPV*3621A**	1.00	0.94	58MV(B,C)100-20
CSPH*3012A**	1.00	0.94	58MV(B,C)100-20
CAP**3617A**	1.00	0.94	58PH*070-16
CNPV*3617A**	1.00	0.94	58PH*070-16
CNPV*3017A**	1.00	0.94	58PH*070-16
CNPV*3617A**	1.00	0.94	58PH*070-16
CNPV*3621A**	1.00	0.94	58PH*070-16
CSPH*3012A**	1.00	0.94	58PH*070-16
CAP**3621A**	1.00	0.94	58PH*070-16
CNPV*3017A**	1.00	0.94	58PH*090-16
CNPV*3617A**	1.00	0.94	58PH*090-16
CNPV*3621A**	1.00	0.94	58PH*090-16
CSPH*3012A**	1.00	0.94	58PH*090-16
CSPH*3612A**	1.00	0.90	58PH*090-16

See notes on page 45



# DETAILED COOLING CAPACITIES# CONTINUED

25HBB336(A,W)30, 50, 60 Outdoor Section With F44ANF036 Indoor Section

COOLING INDOOR MODEL	CAPACITY	POWER	FURNACE MODEL
CAP**4224A**	1.00	0.91	58MV(B,C)120-20
CNPH*3617A**	0.99	0.90	58MV(B,C)120-20
CNPH*4221A**	1.00	0.91	58MV(B,C)120-20
CSPH*3612A**	1.01	0.92	58MV(B,C)120-20
CSPH*4212A**	1.02	0.91	58MV(B,C)120-20
CAP**3614A**	0.98	0.95	58PH*045-08
CNPH*3617A**	0.98	0.95	58PH*045-08
CNPH*4212A**	1.00	0.95	58PH*045-08
CSPH*3612A**	1.01	0.97	58PH*045-08
CSPH*4212A**	1.02	0.97	58PH*045-08
CAP**3617A**	0.99	0.93	58PH*070-16
CNPH*3617A**	0.99	0.93	58PH*070-16
CNPH*4221A**	1.00	0.95	58PH*070-16
CNPV*3617A**	0.99	0.93	58PH*070-16
CNPV*4217A**	1.01	0.94	58PH*070-16
CSPH*3612A**	1.01	0.95	58PH*070-16
CSPH*4212A**	1.02	0.93	58PH*070-16
CAP**3621A**	1.01	0.92	58PH*090-16
CAP**4221A**	1.01	0.92	58PH*090-16
CNPH*3617A**	0.99	0.91	58PH*090-16
CNPH*4221A**	1.01	0.92	58PH*090-16
CNPV*3621A**	1.00	0.91	58PH*090-16
CNPV*4221A**	1.01	0.92	58PH*090-16
CSPH*3612A**	1.02	0.93	58PH*090-16
CSPH*4212A**	1.03	0.94	58PH*090-16
CAP**3621A**	1.01	0.92	58PH*110-20
CAP**4221A**	1.02	0.93	58PH*110-20
CNPH*3617A**	1.00	0.91	58PH*110-20
CNPH*4221A**	1.01	0.92	58PH*110-20
CNPV*3621A**	1.00	0.91	58PH*110-20
CNPV*4221A**	1.01	0.92	58PH*110-20
CSPH*3612A**	1.02	0.93	58PH*110-20
CSPH*4212A**	1.03	0.94	58PH*110-20

See notes on page 45

# DETAILED COOLING CAPACITIES# CONTINUED

EVAPORATOR AIR		CONDENSER ENTERING AIR TEMPERATURES °F (°C)																		
		75 (23.9)			85 (29.4)			95 (35)			105 (40.6)			115 (46.1)			125 (51.7)			
CFM	EWB °F (°C)	Capacity MBTuh		Total System KW**	Capacity MBTuh		Total System KW**	Capacity MBTuh		Total System KW**	Capacity MBTuh		Total System KW**	Capacity MBTuh		Total System KW**				
		Total	Sens†		Total	Sens†		Total	Sens†		Total	Sens†		Total	Sens†					
		72 (22.2)	48.26	24.63	3.08	3.08	46.00	23.75	3.41	43.63	22.84	3.77	41.15	21.90	38.47	20.90	4.61	35.49	19.80	5.09
		67 (19.4)	44.21	30.69	3.06	3.06	42.14	28.80	3.39	39.96	28.86	3.76	37.67	27.90	35.20	26.87	4.16	32.50	25.76	5.08
		63 (17.2)††	41.23	29.75	3.05	3.05	39.29	28.85	3.38	37.24	27.91	3.75	35.09	26.94	32.79	25.91	4.60	30.28	24.80	5.08
		62 (16.7)	40.45	36.69	3.05	3.05	38.56	35.75	3.38	36.58	34.74	3.74	34.53	33.66	32.38	32.38	4.60	30.32	30.32	5.08
		57 (13.9)	39.05	38.05	3.04	3.04	37.54	37.54	3.37	35.93	35.93	3.74	34.22	34.22	32.37	32.37	4.60	30.32	30.32	5.08
		72 (22.2)	48.98	25.68	3.16	3.16	46.64	24.79	3.48	44.18	22.93	3.84	41.64	22.93	38.84	21.90	4.68	35.77	20.79	5.16
		67 (19.4)	44.93	32.50	3.14	3.14	42.77	31.59	3.47	40.50	30.64	3.83	38.12	29.66	35.57	28.61	4.68	32.78	27.46	5.16
		63 (17.2)††	41.93	31.44	3.13	3.13	39.91	30.53	3.45	37.78	29.58	3.82	35.55	28.58	33.17	27.53	4.67	30.58	26.38	5.16
		62 (16.7)	41.22	39.13	3.12	3.12	39.28	38.11	3.45	37.28	36.95	3.82	35.34	35.34	33.37	33.37	4.67	31.19	31.19	5.16
		57 (13.9)	40.48	40.48	3.12	3.12	38.87	38.87	3.45	37.16	37.16	3.82	35.34	35.34	33.38	33.38	4.67	31.19	31.19	5.16
		72 (22.2)	49.51	26.67	3.23	3.23	47.10	25.77	3.56	44.56	24.84	3.92	41.96	23.89	39.08	22.86	4.76	35.93	21.74	5.23
		67 (19.4)	45.43	34.21	3.21	3.21	43.21	33.29	3.54	40.87	32.32	3.90	38.43	31.32	35.82	30.25	4.75	32.96	29.06	5.23
		63 (17.2)††	42.44	33.06	3.20	3.20	40.35	32.13	3.53	38.16	31.15	3.89	35.87	30.14	33.43	29.06	4.74	30.78	27.86	5.23
		62 (16.7)	41.88	41.27	3.20	3.20	39.98	39.98	3.53	38.15	38.15	3.89	36.24	36.24	34.17	34.17	4.74	31.87	31.87	5.23
		57 (13.9)	41.65	41.65	3.20	3.20	39.96	39.96	3.53	38.15	38.15	3.89	36.24	36.24	34.18	34.18	4.74	31.87	31.87	5.23

25HBB542(A)30, 50, 60 Outdoor Section With F4ANF042 Indoor Section

COOLING INDOOR MODEL	CAPACITY	POWER	FURNACE MODEL		COOLING INDOOR MODEL	CAPACITY	POWER	FURNACE MODEL	
			INDOOR MODEL	FURNACE MODEL				INDOOR MODEL	FURNACE MODEL
CSPH*4212A**	1.01	0.92	58CV(A.X)110-20	58MEB080-12	CSPH*4212A**	1.01	0.92	58MEB080-12	58MEB080-12
CSPH*4812A**	1.00	0.90	58CV(A.X)110-20	58MEB080-12	CSPH*4812A**	1.02	0.93	58MEB080-12	58MEB080-12
CAP**4817A**	1.01	0.92	58CV(A.X)110-20	58MEB080-16	CAP**4817A**	1.01	0.92	58MEB080-16	58MEB080-16
CNPV*4221A**	0.99	0.89	58CV(A.X)110-20	58MEB080-16	CNPV*4221A**	0.99	0.93	58MEB080-16	58MEB080-16
CNPV*4821A**	1.01	0.92	58CV(A.X)110-20	58MEB080-16	CNPV*4821A**	1.01	0.92	58MEB080-16	58MEB080-16
CSPH*4212A**	1.01	0.92	58CV(A.X)110-20	58MEB080-16	CSPH*4212A**	1.00	0.95	58MEB080-16	58MEB080-16
CSPH*4812A**	1.01	0.92	58CV(A.X)110-20	58MEB080-16	CSPH*4812A**	1.01	0.92	58MEB080-16	58MEB080-16
CAP**4224A**	1.01	0.90	58CV(A.X)135-22	58MEB100-20	CAP**4224A**	1.01	0.92	58MEB100-20	58MEB100-20
CNPV*4821A**	1.01	0.91	58CV(A.X)135-22	58MEB100-20	CNPV*4821A**	1.01	0.92	58MEB100-20	58MEB100-20
CSPH*4212A**	1.01	0.91	58CV(A.X)135-22	58MEB100-20	CSPH*4212A**	1.01	0.92	58MEB100-20	58MEB100-20
CSPH*4812A**	1.01	0.89	58CV(A.X)135-22	58MEB100-20	CSPH*4812A**	1.01	0.93	58MEB100-20	58MEB100-20
CAP**4824A**	1.01	0.91	58CV(A.X)155-22	58MEB100-20	CAP**4824A**	1.01	0.92	58MEB100-20	58MEB100-20
CNPV*4217A**	1.00	0.90	58CV(A.X)155-22	58MEB100-20	CNPV*4217A**	1.00	0.90	58MEB100-20	58MEB100-20
CNPV*4821A**	1.01	0.90	58CV(A.X)155-22	58MEB100-20	CNPV*4821A**	1.01	0.92	58MEB100-20	58MEB100-20
CSPH*4212A**	1.01	0.90	58CV(A.X)155-22	58MEB100-20	CSPH*4212A**	1.01	0.92	58MEB100-20	58MEB100-20
CSPH*4824A**	1.01	0.91	58CV(A.X)155-22	58MEB100-20	CSPH*4824A**	1.01	0.93	58MEB100-20	58MEB100-20
CAP**4817A**	1.01	0.91	58CV(A.X)155-22	58MEB100-20	CAP**4817A**	1.01	0.92	58MEB100-20	58MEB100-20
CNPV*4217A**	1.00	0.90	58CV(A.X)155-22	58MEB100-20	CNPV*4217A**	1.00	0.90	58MEB100-20	58MEB100-20
CNPV*4821A**	1.01	0.90	58CV(A.X)155-22	58MEB100-20	CNPV*4821A**	1.01	0.92	58MEB100-20	58MEB100-20
CSPH*4212A**	1.01	0.90	58CV(A.X)155-22	58MEB100-20	CSPH*4212A**	1.01	0.92	58MEB100-20	58MEB100-20
CSPH*4824A**	1.01	0.91	58CV(A.X)155-22	58MEB100-20	CSPH*4824A**	1.01	0.93	58MEB100-20	58MEB100-20
CAP**4817A**	1.01	0.91	58CV(A.X)155-22	58MEB100-20	CAP**4817A**	1.01	0.92	58MEB100-20	58MEB100-20
CNPV*4217A**	1.00	0.90	58CV(A.X)155-22	58MEB100-20	CNPV*4217A**	1.00	0.90	58MEB100-20	58MEB100-20
CNPV*4821A**	1.01	0.90	58CV(A.X)155-22	58MEB100-20	CNPV*4821A**	1.01	0.92	58MEB100-20	58MEB100-20
CSPH*4212A**	1.01	0.90	58CV(A.X)155-22	58MEB100-20	CSPH*4212A**	1.01	0.92	58MEB100-20	58MEB100-20
CSPH*4824A**	1.01	0.91	58CV(A.X)155-22	58MEB100-20	CSPH*4824A**	1.01	0.93	58MEB100-20	58MEB100-20
CAP**4817A**	1.01	0.91	58CV(A.X)155-22	58MEB100-20	CAP**4817A**	1.01	0.92	58MEB100-20	58MEB100-20
CNPV*4217A**	1.00	0.90	58CV(A.X)155-22	58MEB100-20	CNPV*4217A**	1.00	0.90	58MEB100-20	58MEB100-20
CNPV*4821A**	1.01	0.90	58CV(A.X)155-22	58MEB100-20	CNPV*4821A**	1.01	0.92	58MEB100-20	58MEB100-20
CSPH*4212A**	1.01	0.90	58CV(A.X)155-22	58MEB100-20	CSPH*4212A**	1.01	0.92	58MEB100-20	58MEB100-20
CSPH*4824A**	1.01	0.91	58CV(A.X)155-22	58MEB100-20	CSPH*4824A**	1.01	0.93	58MEB100-20	58MEB100-20
CAP**4817A**	1.01	0.91	58CV(A.X)155-22	58MEB100-20	CAP**4817A**	1.01	0.92	58MEB100-20	58MEB100-20
CNPV*4217A**	1.00	0.90	58CV(A.X)155-22	58MEB100-20	CNPV*4217A**	1.00	0.90	58MEB100-20	58MEB100-20
CNPV*4821A**	1.01	0.90	58CV(A.X)155-22	58MEB100-20	CNPV*4821A**	1.01	0.92	58MEB100-20	58MEB100-20
CSPH*4212A**	1.01	0.90	58CV(A.X)155-22	58MEB100-20	CSPH*4212A**	1.01	0.92	58MEB100-20	58MEB100-20
CSPH*4824A**	1.01	0.91	58CV(A.X)155-22	58MEB100-20	CSPH*4824A**	1.01	0.93	58MEB100-20	58MEB100-20
CAP**4817A**	1.01	0.91	58CV(A.X)155-22	58MEB100-20	CAP**4817A**	1.01	0.92	58MEB100-20	58MEB100-20
CNPV*4217A**	1.00	0.90	58CV(A.X)155-22	58MEB100-20	CNPV*4217A**	1.00	0.90	58MEB100-20	58MEB100-20
CNPV*4821A**	1.01	0.90	58CV(A.X)155-22	58MEB100-20	CNPV*4821A**	1.01	0.92	58MEB100-20	58MEB100-20
CSPH*4212A**	1.01	0.90	58CV(A.X)155-22	58MEB100-20	CSPH*4212A**	1.01	0.92	58MEB100-20	58MEB100-20
CSPH*4824A**	1.01	0.91	58CV(A.X)155-22	58MEB100-20	CSPH*4824A**	1.01	0.93	58MEB100-20	58MEB100-20
CAP**4817A**	1.01	0.91	58CV(A.X)155-22	58MEB100-20	CAP**4817A**	1.01	0.92	58MEB100-20	58MEB100-20
CNPV*4217A**	1.00	0.90	58CV(A.X)155-22	58MEB100-20	CNPV*4217A**	1.00	0.90	58MEB100-20	58MEB100-20
CNPV*4821A**	1.01	0.90	58CV(A.X)155-22	58MEB100-20	CNPV*4821A**	1.01	0.92	58MEB100-20	58MEB100-20
CSPH*4212A**	1.01	0.90	58CV(A.X)155-22	58MEB100-20	CSPH*4212A**	1.01	0.92	58MEB100-20	58MEB100-20
CSPH*4824A**	1.01	0.91	58CV(A.X)155-22	58MEB100-20	CSPH*4824A**	1.01	0.93	58MEB100-20	58MEB100-20
CAP**4817A**	1.01	0.91	58CV(A.X)155-22	58MEB100-20	CAP**4817A**	1.01	0.92	58MEB100-20	58MEB100-20
CNPV*4217A**	1.00	0.90	58CV(A.X)155-22	58MEB100-20	CNPV*4217A**	1.00	0.90	58MEB100-20	58MEB100-20
CNPV*4821A**	1.01	0.90	58CV(A.X)155-22	58MEB100-20	CNPV*4821A**	1.01	0.92	58MEB100-20	58MEB100-20
CSPH*4212A**	1.01	0.90	58CV(A.X)155-22	58MEB100-20	CSPH*4212A**	1.01	0.92	58MEB100-20	58MEB100-20
CSPH*4824A**	1.01	0.91	58CV(A.X)155-22	58MEB100-20	CSPH*4824A**	1.01	0.93	58MEB100-20	58MEB100-20
CAP**4817A**	1.01	0.91	58CV(A.X)155-22	58MEB100-20	CAP**4817A**	1.01	0.92	58MEB100-20	58MEB100-20
CNPV*4217A**	1.00	0.90	58CV(A.X)155-22	58MEB100-20	CNPV*4217A**	1.00	0.90	58MEB100-20	58MEB100-20
CNPV*4821A**	1.01	0.90	58CV(A.X)155-22	58MEB100-20	CNPV*4821A**	1.01	0.92	58MEB100-20	58MEB100-20
CSPH*4212A**	1.01	0.90	58CV(A.X)155-22	58MEB100-20	CSPH*4212A**	1.01	0.92	58MEB100-20	58MEB100-20
CSPH*4824A**	1.01	0.91	58CV(A.X)155-22	58MEB100-20	CSPH*4824A**	1.01	0.93	58MEB100-20	58MEB100-20
CAP**4817A**	1.01	0.91	58CV(A.X)155-22	58MEB100-20	CAP**4817A**	1.01	0.92	58MEB100-20	58MEB100-20
CNPV*4217A**	1.00	0.90	58CV(A.X)155-22	58MEB100-20	CNPV*4217A**	1.00	0.90	58MEB100-20	58MEB100-20
CNPV*4821A**	1.01	0.90	58CV(A.X)155-22	58MEB100-20	CNPV*4821A**	1.01	0.92	58MEB100-20	58MEB100-20
CSPH*4212A**	1.01	0.90	58CV(A.X)155-22	58MEB100-20	CSPH*4212A**	1.01	0.92	58MEB100-20	58MEB100-20

DETAILED COOLING CAPACITIES# CONTINUED

25HBB342(A,W)30, 50, 60 Outdoor Section With F4ANF042 Indoor Section

COOLING INDOOR MODEL	CAPACITY	POWER	FURNACE MODEL
CSPH*4812A**	1.01	0.92	58PH*135-20

See notes on page 45

COOLING INDOOR MODEL	CAPACITY	POWER	FURNACE MODEL
CAP**4821A**	1.00	0.91	58MV(B,C)080-14
CNPH*4221A**	0.99	0.93	58MV(B,C)080-14
CNPH*4821A**	1.00	0.94	58MV(B,C)080-14
CNPV*4221A**	0.99	0.93	58MV(B,C)080-14
CNPV*4821A**	1.00	0.94	58MV(B,C)080-14
CSPH*4212A**	0.98	0.91	58MV(B,C)080-14
CSPH*4812A**	1.00	0.94	58MV(B,C)080-14
CAP**4221A**	0.99	0.93	58MV(B,C)080-20
CAP**4821A**	1.00	0.93	58MV(B,C)080-20
CNPH*4221A**	0.99	0.92	58MV(B,C)080-20
CNPH*4821A**	1.00	0.93	58MV(B,C)080-20
CNPV*4221A**	0.98	0.91	58MV(B,C)080-20
CNPV*4821A**	1.00	0.93	58MV(B,C)080-20
CSPH*4212A**	0.99	0.92	58MV(B,C)080-20
CSPH*4812A**	1.00	0.92	58MV(B,C)080-20
CAP**4221A**	0.99	0.92	58MV(B,C)100-20
CAP**4821A**	1.00	0.92	58MV(B,C)100-20
CNPH*4221A**	0.99	0.90	58MV(B,C)100-20
CNPH*4821A**	1.00	0.91	58MV(B,C)100-20
CNPV*4221A**	0.99	0.90	58MV(B,C)100-20
CNPV*4821A**	1.00	0.91	58MV(B,C)100-20
CSPH*4212A**	0.99	0.91	58MV(B,C)100-20
CSPH*4812A**	1.00	0.92	58MV(B,C)100-20
CAP**4224A**	0.99	0.92	58MV(B,C)120-20
CAP**4824A**	1.00	0.91	58MV(B,C)120-20
CNPH*4221A**	0.99	0.90	58MV(B,C)120-20
CNPH*4821A**	1.00	0.91	58MV(B,C)120-20
CNPV*4824A**	1.00	0.91	58MV(B,C)120-20
CSPH*4212A**	0.99	0.90	58MV(B,C)120-20
CSPH*4812A**	1.00	0.91	58MV(B,C)120-20
CAP**4817A**	1.01	0.96	58PH*070-16
CNPH*4221A**	0.99	0.98	58PH*070-16
CNPH*4821A**	1.01	0.96	58PH*070-16
CNPV*4217A**	0.99	0.98	58PH*070-16
CNPV*4817A**	1.01	0.96	58PH*070-16
CSPH*4212A**	1.01	0.96	58PH*070-16
CSPH*4812A**	1.01	0.96	58PH*070-16
CAP**4221A**	0.99	0.89	58PH*090-16
CAP**4821A**	1.01	0.92	58PH*090-16
CNPH*4221A**	0.99	0.93	58PH*090-16
CNPH*4821A**	1.01	0.92	58PH*090-16
CNPV*4221A**	0.99	0.93	58PH*090-16
CNPV*4821A**	1.01	0.92	58PH*090-16
CSPH*4212A**	1.01	0.92	58PH*090-16
CSPH*4812A**	1.01	0.92	58PH*090-16
CAP**4221A**	1.00	0.90	58PH*110-20
CAP**4821A**	1.01	0.92	58PH*110-20
CNPH*4221A**	0.99	0.89	58PH*110-20
CNPH*4821A**	1.01	0.92	58PH*110-20
CNPV*4221A**	0.99	0.93	58PH*110-20
CNPV*4821A**	1.01	0.92	58PH*110-20
CSPH*4212A**	1.02	0.93	58PH*110-20
CAP**4224A**	1.00	0.90	58PH*135-20
CAP**4824A**	1.01	0.92	58PH*135-20
CNPH*4221A**	0.99	0.93	58PH*135-20
CNPH*4821A**	1.01	0.92	58PH*135-20
CNPV*4824A**	1.01	0.92	58PH*135-20
CSPH*4212A**	1.01	0.92	58PH*135-20

# DETAILED COOLING CAPACITIES# CONTINUED

EVAPORATOR AIR		CONDENSER ENTERING AIR TEMPERATURES ° F (° C)																																				
		75 (23.9)				85 (29.4)				95 (35)				105 (40.6)				115 (46.1)				125 (51.7)																
		CFM	EWB ° F (° C)	Capacity MBtuh		Total System KW**	Capacity MBtuh		Total System KW**	Capacity MBtuh		Total System KW**	Capacity MBtuh		Total System KW**	Capacity MBtuh		Total System KW**	Capacity MBtuh		Total System KW**	Capacity MBtuh		Total System KW**														
Total	Sens†			Total	Sens†		Total	Sens†		Total	Sens†		Total	Sens†		Total	Sens†		Total	Sens†		Total	Sens†		Total	Sens†												
<b>25HBB348(A,W)30, 50, 60 Outdoor Section With F14ANF048 Indoor Section</b>																																						
1400	72 (22.2)	56.99	28.50	3.33	54.20	27.43	3.76	51.28	26.33	4.22	48.25	25.21	4.72	45.04	24.03	5.25	41.55	22.77	5.82	67 (19.4)	52.08	35.47	3.36	49.50	34.38	3.78	46.83	33.26	4.23	44.04	32.10	4.72	41.11	30.90	5.25	37.92	29.61	5.81
	63 (17.2)††	48.43	34.32	3.37	46.02	33.22	3.79	43.52	32.10	4.24	40.92	30.94	4.72	38.19	29.75	5.24	35.23	28.46	5.80	62 (16.7)	47.48	42.35	3.37	45.13	41.21	3.79	42.72	40.01	4.24	40.24	38.73	4.72	37.77	37.77	5.24	35.36	35.36	5.80
	57 (13.9)	45.85	45.85	3.38	43.97	43.97	3.79	42.02	42.02	4.24	39.96	39.96	4.72	37.77	37.77	5.24	35.36	35.36	5.80	72 (22.2)	57.89	29.74	3.41	55.00	28.67	3.84	48.74	26.41	4.30	46.82	26.41	4.80	45.51	25.22	5.42	41.89	23.95	5.90
	67 (19.4)	52.98	37.62	3.44	50.29	36.51	3.86	47.50	35.36	4.32	44.61	34.19	4.81	41.57	32.96	5.33	38.27	31.63	5.90	67 (19.4)††	49.31	36.34	3.45	46.79	35.22	3.87	44.18	34.07	4.32	41.48	32.89	4.81	38.66	31.66	5.33	35.60	30.34	5.89
	62 (16.7)	48.44	45.27	3.46	46.03	44.02	3.87	43.55	43.55	4.32	41.33	41.33	4.81	39.00	39.00	5.33	36.43	36.43	5.89	57 (13.9)	47.61	47.61	3.46	45.61	45.61	3.87	43.52	43.52	4.32	41.33	41.33	4.81	39.01	39.01	5.33	36.44	36.44	5.89
1600	72 (22.2)	58.54	30.92	3.49	55.56	29.83	3.92	52.43	28.71	4.39	49.21	27.56	4.89	45.80	26.36	5.42	42.10	25.07	5.99	67 (19.4)	53.62	39.66	3.52	50.84	38.53	3.95	47.96	37.36	4.40	44.99	36.17	4.90	41.88	34.91	5.42	38.50	33.54	5.99
	63 (17.2)††	49.95	38.25	3.54	47.35	37.12	3.96	44.66	35.95	4.41	41.88	34.74	4.90	38.98	33.48	5.42	35.85	32.10	5.98	72 (22.2)	52.98	37.62	3.44	50.29	36.51	3.86	47.50	35.36	4.32	44.61	34.19	4.81	41.57	32.96	5.33	38.27	31.63	5.90
	67 (19.4)	49.26	47.81	3.54	46.95	46.95	3.96	44.75	44.75	4.41	42.44	42.44	4.90	39.99	39.99	5.42	37.27	37.27	5.98	67 (19.4)††	49.26	47.81	3.54	46.95	46.95	3.96	44.75	44.75	4.41	42.44	42.44	4.90	39.99	39.99	5.42	37.27	37.27	5.98
	57 (13.9)	49.06	49.06	3.54	46.96	46.96	3.96	44.75	44.75	4.41	42.44	42.44	4.90	39.99	39.99	5.42	37.28	37.28	5.98	62 (16.7)	49.06	49.06	3.54	46.96	46.96	3.96	44.75	44.75	4.41	42.44	42.44	4.90	39.99	39.99	5.42	37.28	37.28	5.98
	62 (16.7)	48.44	45.27	3.46	46.03	44.02	3.87	43.55	43.55	4.32	41.33	41.33	4.81	39.00	39.00	5.33	36.43	36.43	5.89	57 (13.9)	47.61	47.61	3.46	45.61	45.61	3.87	43.52	43.52	4.32	41.33	41.33	4.81	39.01	39.01	5.33	36.44	36.44	5.89
1800	72 (22.2)	58.54	30.92	3.49	55.56	29.83	3.92	52.43	28.71	4.39	49.21	27.56	4.89	45.80	26.36	5.42	42.10	25.07	5.99	67 (19.4)	53.62	39.66	3.52	50.84	38.53	3.95	47.96	37.36	4.40	44.99	36.17	4.90	41.88	34.91	5.42	38.50	33.54	5.99
	63 (17.2)††	49.95	38.25	3.54	47.35	37.12	3.96	44.66	35.95	4.41	41.88	34.74	4.90	38.98	33.48	5.42	35.85	32.10	5.98	72 (22.2)	52.98	37.62	3.44	50.29	36.51	3.86	47.50	35.36	4.32	44.61	34.19	4.81	41.57	32.96	5.33	38.27	31.63	5.90
	67 (19.4)	49.26	47.81	3.54	46.95	46.95	3.96	44.75	44.75	4.41	42.44	42.44	4.90	39.99	39.99	5.42	37.27	37.27	5.98	67 (19.4)††	49.26	47.81	3.54	46.95	46.95	3.96	44.75	44.75	4.41	42.44	42.44	4.90	39.99	39.99	5.42	37.27	37.27	5.98
	57 (13.9)	49.06	49.06	3.54	46.96	46.96	3.96	44.75	44.75	4.41	42.44	42.44	4.90	39.99	39.99	5.42	37.28	37.28	5.98	62 (16.7)	49.06	49.06	3.54	46.96	46.96	3.96	44.75	44.75	4.41	42.44	42.44	4.90	39.99	39.99	5.42	37.28	37.28	5.98
	62 (16.7)	48.44	45.27	3.46	46.03	44.02	3.87	43.55	43.55	4.32	41.33	41.33	4.81	39.00	39.00	5.33	36.43	36.43	5.89	57 (13.9)	47.61	47.61	3.46	45.61	45.61	3.87	43.52	43.52	4.32	41.33	41.33	4.81	39.01	39.01	5.33	36.44	36.44	5.89

COOLING INDOOR MODEL	CAPACITY	POWER	FURNACE MODEL	COOLING INDOOR MODEL	CAPACITY	POWER	FURNACE MODEL	COOLING INDOOR MODEL	CAPACITY	POWER	FURNACE MODEL	COOLING INDOOR MODEL	CAPACITY	POWER	FURNACE MODEL	COOLING INDOOR MODEL	CAPACITY	POWER	FURNACE MODEL	COOLING INDOOR MODEL	CAPACITY	POWER	FURNACE MODEL
*FYAANF048	1.00	1.00	58CV(A,X)135-22	CNPV*6024A**	1.00	0.92	58CV(A,X)135-22	CNPV*4821A**	1.00	0.92	58CV(A,X)135-22	CNPV*4821A**	1.00	0.92	58CV(A,X)135-22	CNPV*4821A**	1.00	0.92	58CV(A,X)135-22	CNPV*4821A**	1.00	0.92	58CV(A,X)135-22
FE4AN(B,F)005	1.00	0.92	58CV(A,X)135-22	CNPV*4824A**	0.96	0.90	58CV(A,X)135-22	CNPV*4824A**	0.96	0.90	58CV(A,X)135-22	CNPV*4824A**	0.96	0.90	58CV(A,X)135-22	CNPV*4824A**	0.96	0.90	58CV(A,X)135-22	CNPV*4824A**	0.96	0.90	58CV(A,X)135-22
FE4AN(B)006	1.01	0.93	58CV(A,X)135-22	CSPH*6024A**	1.00	0.92	58CV(A,X)135-22	CSPH*6024A**	1.00	0.92	58CV(A,X)135-22	CSPH*6024A**	1.00	0.92	58CV(A,X)135-22	CSPH*6024A**	1.00	0.92	58CV(A,X)135-22	CSPH*6024A**	1.00	0.92	58CV(A,X)135-22
FV4BN(B,F)005	1.00	0.92	58CV(A,X)135-22	CSPH*4812A**	0.99	0.91	58CV(A,X)135-22	CSPH*4812A**	0.99	0.91	58CV(A,X)135-22	CSPH*4812A**	0.99	0.91	58CV(A,X)135-22	CSPH*4812A**	0.99	0.91	58CV(A,X)135-22	CSPH*4812A**	0.99	0.91	58CV(A,X)135-22
FV4BN(B)006	1.01	0.93	58CV(A,X)135-22	CSPH*6012A**	1.01	0.93	58CV(A,X)135-22	CSPH*6012A**	1.01	0.93	58CV(A,X)135-22	CSPH*6012A**	1.01	0.93	58CV(A,X)135-22	CSPH*6012A**	1.01	0.93	58CV(A,X)135-22	CSPH*6012A**	1.01	0.93	58CV(A,X)135-22
FX4CN(B,F)048	1.01	0.93	58CV(A,X)155-22	CAP**4824A**	0.98	0.90	58CV(A,X)155-22	CAP**4824A**	0.98	0.90	58CV(A,X)155-22	CAP**4824A**	0.98	0.90	58CV(A,X)155-22	CAP**4824A**	0.98	0.90	58CV(A,X)155-22	CAP**4824A**	0.98	0.90	58CV(A,X)155-22
FX4CN(B,F)060	1.02	0.94	58CV(A,X)155-22	CAP**6024A**	1.01	0.93	58CV(A,X)155-22	CAP**6024A**	1.01	0.93	58CV(A,X)155-22	CAP**6024A**	1.01	0.93	58CV(A,X)155-22	CAP**6024A**	1.01	0.93	58CV(A,X)155-22	CAP**6024A**	1.01	0.93	58CV(A,X)155-22
FY4AN(B)060	1.01	0.97	58CV(A,X)155-22	CNPV*4821A**	0.99	0.91	58CV(A,X)155-22	CNPV*4821A**	0.99	0.91	58CV(A,X)155-22	CNPV*4821A**	0.99	0.91	58CV(A,X)155-22	CNPV*4821A**	0.99	0.91	58CV(A,X)155-22	CNPV*4821A**	0.99	0.91	58CV(A,X)155-22
CAP**4817A**	0.98	0.98	58CV(A,X)155-22	CNPV*6024A**	1.00	0.92	58CV(A,X)155-22	CNPV*6024A**	1.00	0.92	58CV(A,X)155-22	CNPV*6024A**	1.00	0.92	58CV(A,X)155-22	CNPV*6024A**	1.00	0.92	58CV(A,X)155-22	CNPV*6024A**	1.00	0.92	58CV(A,X)155-22
CAP**4821A**	0.99	0.99	58CV(A,X)155-22	CNPV*4817A**	0.99	0.95	58MEB080-16	CNPV*4817A**	0.99	0.95	58MEB080-16	CNPV*4817A**	0.99	0.95	58MEB080-16	CNPV*4817A**	0.99	0.95	58MEB080-16	CNPV*4817A**	0.99	0.95	58MEB080-16
CAP**4824A**	0.99	0.99	58CV(A,X)155-22	CNPV*4821A**	1.00	0.92	58MEB080-16	CNPV*4821A**	1.00	0.92	58MEB080-16	CNPV*4821A**	1.00	0.92	58MEB080-16	CNPV*4821A**	1.00	0.92	58MEB080-16	CNPV*4821A**	1.00	0.92	58MEB080-16
CAP**6021A**	1.01	0.97	58CV(A,X)155-22	CNPV*6024A**	1.00	0.92	58MEB080-16	CNPV*6024A**	1.00	0.92	58MEB080-16	CNPV*6024A**	1.00	0.92	58MEB080-16	CNPV*6024A**	1.00	0.92	58MEB080-16	CNPV*6024A**	1.00	0.92	58MEB080-16
CAP**6024A**	1.01	0.97	58CV(A,X)155-22	CNPV*4812A**	0.99	0.91	58MEB080-16	CNPV*4812A**	0.99	0.91	58MEB080-16	CNPV*4812A**	0.99	0.91	58MEB080-16	CNPV*4812A**	0.99	0.91	58MEB080-16	CNPV*4812A**	0.99	0.91	58MEB080-16
CNPV*4818A**	0.97	0.97	58CV(A,X)155-22	CSPH*6012A**	1.00	0.92	58MEB080-16	CSPH*6012A**	1.00	0.92	58MEB080-16	CSPH*6012A**	1.00	0.92	58MEB080-16	CSPH*6012A**	1.00	0.92	58MEB080-16	CSPH*6012A**	1.00	0.92	58MEB080-16
CNPV*4821A**	0.99	0.99	58CV(A,X)155-22	CNPV*4812A**	0.99	0.91	58MEB080-16	CNPV*4812A**	0.99	0.91	58MEB080-16	CNPV*4812A**	0.99	0.91	58MEB080-16	CNPV*4812A**	0.99	0.91	58MEB080-16	CNPV*4812A**	0.99	0.91	58MEB080-16
CNPV*6024A**	0.99	0.99	58CV(A,X)155-22	CNPV*6024A**	1.00	0.9																	

**DETAILED COOLING CAPACITIES# CONTINUED**

25HBB3#8(A,W)30, 50, 60 Outdoor Section With FY4ANF048 Indoor Section

COOLING INDOOR MODEL	CAPACITY	POWER	FURNACE MODEL
CNPH*4821A**	0.99	0.91	58PH*135-20
CNPH*4821A**	0.99	0.91	58PH*135-20
CNPH*6024A**	1.01	0.93	58PH*135-20
CNPV*4824A**	0.99	0.91	58PH*135-20
CNPV*6024A**	1.01	0.93	58PH*135-20
CSPH*4812A**	0.99	0.91	58PH*135-20
CSPH*6012A**	1.01	0.93	58PH*135-20

See notes on page 45

# DETAILED COOLING CAPACITIES# CONTINUED

EVAPORATOR AIR		CONDENSER ENTERING AIR TEMPERATURES °F (°C)																					
		75 (23.9)				85 (29.4)				95 (35)				105 (40.6)				115 (46.1)				125 (51.7)	
		CFM	EWB °F (°C)	Capacity MBtuh		Total System KW**	Capacity MBtuh		Total System KW**	Capacity MBtuh		Total System KW**	Capacity MBtuh		Total System KW**	Capacity MBtuh		Total System KW**	Capacity MBtuh		Total System KW**		
Total	Sens†			Total	Sens†		Total	Sens†		Total	Sens†		Total	Sens†		Total	Sens†						
<b>25HBB360(A,W)30, 51, 61 Outdoor Section With FY4ANB060 Indoor Section</b>																							
	72 (22.2)	70.34	35.38	4.52	67.10	34.14	4.98	63.63	32.83	5.48	60.01	31.48	6.03	56.06	30.03	6.63	51.70	28.45	7.27				
	67 (19.4)	64.72	44.25	4.46	61.72	42.98	4.92	58.50	41.62	5.42	55.15	40.23	5.97	51.50	38.73	6.52	47.50	37.11	7.21				
1750	63 (17.2)††	60.52	42.98	4.41	57.88	41.87	4.87	54.66	40.31	5.37	51.50	38.90	5.92	48.09	37.40	6.52	44.37	35.78	7.17				
	62 (16.7)	59.39	53.03	4.40	56.60	51.67	4.86	53.67	50.23	5.36	50.63	48.68	5.91	47.46	47.46	6.51	44.40	44.40	7.17				
	57 (13.9)	57.36	57.36	4.38	55.12	55.12	4.84	52.73	52.73	5.35	50.21	50.21	5.90	47.45	47.45	6.51	44.40	44.40	7.17				
	72 (22.2)	71.28	36.87	4.64	67.97	35.64	5.09	64.37	34.31	5.59	60.64	32.95	6.14	56.56	31.48	6.74	52.07	29.88	7.39				
	67 (19.4)	65.71	46.88	4.58	62.80	45.59	5.03	59.26	44.22	5.53	55.79	42.80	6.08	52.01	41.28	6.69	47.89	39.62	7.33				
2000	63 (17.2)††	61.54	45.45	4.53	58.58	44.14	4.99	55.44	42.75	5.49	52.17	41.32	6.04	48.63	39.78	6.64	44.80	38.11	7.28				
	62 (16.7)	60.48	56.64	4.52	57.63	55.18	4.98	54.66	54.31	5.48	51.85	51.85	6.03	48.91	48.91	6.64	45.66	45.66	7.30				
	57 (13.9)	59.46	59.46	4.51	57.07	57.07	4.97	54.53	54.53	5.48	51.85	51.85	6.03	48.92	48.92	6.64	45.67	45.67	7.30				
	72 (22.2)	71.96	36.30	4.75	68.56	37.06	5.21	64.87	35.72	5.71	61.04	34.35	6.26	56.86	32.87	6.86	52.26	31.26	7.50				
	67 (19.4)	66.40	49.38	4.70	63.21	48.09	5.15	59.77	46.69	5.65	56.21	45.25	6.20	52.34	43.69	6.80	48.13	41.98	7.44				
2250	63 (17.2)††	62.26	47.81	4.65	59.21	46.48	5.10	55.98	45.06	5.60	52.62	43.60	6.15	49.00	42.02	6.75	45.07	40.30	7.40				
	62 (16.7)	61.41	58.80	4.64	58.65	58.65	5.10	55.97	55.97	5.61	53.15	53.15	6.16	50.06	50.06	6.77	46.64	46.64	7.42				
	57 (13.9)	61.16	61.16	4.64	58.65	58.65	5.10	55.97	55.97	5.61	53.16	53.16	6.16	50.07	50.07	6.77	46.65	46.65	7.42				

COOLING INDOOR MODEL	CAPACITY	POWER	FURNACE MODEL	COOLING INDOOR MODEL		POWER	FURNACE MODEL	COOLING INDOOR MODEL		POWER	FURNACE MODEL	COOLING INDOOR MODEL		POWER	FURNACE MODEL
				INDOOR MODEL	POWER			INDOOR MODEL	POWER			INDOOR MODEL	POWER		
*FY4ANB060	1.00	1.00		CSPH*6012A**	1.00	0.96	58CV(A,X)135-22	CSPH*6012A**	0.99	0.99	58MV(B,C)100-20	CSPH*6012A**	0.99	0.99	58MV(B,C)100-20
FV4ANB006	1.02	0.98		CAP**6024A**	1.00	0.96	58CV(A,X)155-22	CAP**6024A**	0.99	0.98	58MV(B,C)120-20	CAP**6024A**	0.98	0.98	58MV(B,C)120-20
FV4BNB006	1.02	0.96		CNPV*6024A**	0.99	0.96	58CV(A,X)155-22	CNPV*6024A**	0.99	0.98	58MV(B,C)120-20	CNPV*6024A**	0.98	0.98	58MV(B,C)120-20
FX4CN(B,F)060	1.01	0.97		CSPH*6012A**	1.00	0.96	58CV(A,X)155-22	CNPV*6024A**	0.99	0.96	58MV(B,C)120-20	CSPH*6012A**	0.99	0.99	58MV(B,C)120-20
CAP**6021A**	0.99	0.99		CNPV*6024A**	0.98	1.01	58MEB080-16	CSPH*6012A**	0.98	0.97	58PH*090-16	CAP**6021A**	0.99	0.97	58PH*090-16
CNPV*6024A**	0.99	0.99		CAP**6021A**	0.98	1.01	58MEB080-16	CNPV*6012A**	0.99	0.97	58PH*090-16	CNPV*6024A**	0.98	0.97	58PH*090-16
CNPV*6024A**	0.99	0.99		CNPV*6024A**	0.99	0.97	58MEB100-20	CAP**6021A**	0.99	0.97	58PH*090-16	CNPV*6024A**	0.98	0.97	58PH*090-16
CAP**6021A**	1.00	1.00		CNPV*6012A**	0.99	0.97	58MEB100-20	CNPV*6024A**	0.99	0.97	58PH*110-20	CAP**6021A**	1.00	0.98	58PH*110-20
CNPV*6024A**	0.99	0.97		CAP**6021A**	0.99	0.97	58MEB120-20	CNPV*6012A**	0.99	0.97	58PH*110-20	CNPV*6024A**	0.99	0.98	58PH*110-20
CNPV*6012A**	0.99	0.98		CNPV*6012A**	0.99	0.97	58MEB120-20	CAP**6024A**	0.99	0.97	58PH*135-20	CNPV*6012A**	0.99	0.97	58PH*135-20
CAP**6024A**	0.99	0.97		CNPV*6024A**	0.99	0.97	58MEB120-20	CNPV*6024A**	0.99	0.97	58PH*135-20	CAP**6024A**	0.99	0.97	58PH*135-20
CNPV*6024A**	0.99	0.97		CSPH*6012A**	1.00	0.98	58MEB120-20	CSPH*6012A**	1.00	0.98	58PH*135-20	CNPV*6024A**	0.99	0.97	58PH*135-20
CNPV*6024A**	0.99	0.97		CAP**6021A**	0.98	0.98	58MV(B,C)100-20	CAP**6021A**	0.98	0.98	58PH*135-20	CNPV*6024A**	1.00	0.98	58PH*135-20

\* Tested combination.  
† Total and sensible capacities are net capacities. Blower motor heat has been subtracted.  
‡ Sensible capacities shown are based on 80°F (27°C) entering air at the indoor coil. For sensible capacities at other than 80°F (27°C), deduct 835 Btuh (245 kW) per 1000 CFM (480 L/S) of indoor coil air for each degree below 80°F (27°C), or add 835 Btuh (245 kW) per 1000 CFM (480 L/S) of indoor coil air per degree above 80°F (27°C).  
# Detailed cooling capacities are based on indoor and outdoor unit at the same elevation per ARI standard 210/240--2008. If additional tubing length and/or indoor unit is located above outdoor unit, a slight variation in capacity may occur.  
\*\* System kw is total of indoor and outdoor unit kilowatts.  
†† At TVA rating indoor condition (75°F edb/63°F ewb). All other indoor air temperatures are at 80°F edb.  
NOTE: When the required data falls between the published data, interpolation may be performed. Extrapolation is not an acceptable practice.  
EWB — Entering Wet Bulb



25HBB3

HEAT PUMP HEATING PERFORMANCE

INDOOR AIR		OUTDOOR COIL ENTERING AIR TEMPERATURES °F (°C)															
EDB °F (°C)	CFM	-3 (-19.4)		7 (-13.9)		17 (-8.3)		27 (-2.8)		37 (2.8)		47 (8.3)		57 (13.9)		67 (19.4)	
		Capacity MBtuh	Total Syst. KWT	Capacity MBtuh	Total Syst. KWT	Capacity MBtuh	Total Syst. KWT	Capacity MBtuh	Total Syst. KWT	Capacity MBtuh	Total Syst. KWT	Capacity MBtuh	Total Syst. KWT	Capacity MBtuh	Total Syst. KWT	Capacity MBtuh	Total Syst. KWT
65 (18.3)	525	6.57	6.04	1.23	1.28	8.48	7.79	10.53	9.60	12.74	11.31	15.25	13.88	18.04	16.55	20.79	18.34
	600	6.72	6.19	1.25	1.29	8.66	7.95	10.71	9.77	13.4	12.99	15.57	14.17	18.34	16.85	20.88	18.34
	675	6.87	6.32	1.26	1.31	8.81	8.10	10.89	9.93	13.5	13.20	15.81	14.39	18.61	17.11	20.94	18.61
70 (21.1)	525	6.23	5.74	1.28	1.28	8.18	7.52	10.24	9.34	12.44	11.05	14.90	13.56	17.66	16.27	20.52	19.13
	600	6.39	5.88	1.29	1.34	8.36	7.68	10.42	9.50	12.66	11.25	15.19	13.83	18.00	16.60	20.69	19.24
	675	6.52	6.00	1.31	1.36	8.52	7.83	10.60	9.66	12.88	11.44	15.45	14.06	18.28	16.88	20.73	19.39
75 (23.9)	525	5.89	5.42	1.32	1.39	7.86	7.23	9.94	9.06	12.15	10.79	14.55	13.24	17.31	16.00	20.20	18.88
	600	6.05	5.56	1.34	1.40	8.02	7.37	10.11	9.22	12.38	10.99	14.85	13.51	17.63	16.30	20.45	19.17
	675	6.19	5.69	1.36	1.41	8.20	7.54	10.29	9.39	12.58	11.17	15.09	13.73	17.92	16.60	20.55	19.28

25HBB318(A,W)30 Outdoor Section With FY4ANF018 Indoor Section

HEATING INDOOR MODEL	HEATING INDOOR MODEL	CAPACITY	POWER	FURNACE MODEL
FY4ANF018	CNPH*2417A**	0.97	0.89	58PH*045-08
FE4ANF002	CNPV*1814A**	0.97	0.92	58PH*045-08
FF1ENP018	CNPV*2414A**	0.97	0.89	58PH*045-08
FF1ENP024	CSPH*2412A**	0.96	0.89	58PH*045-08

See notes on page 55

HEATING INDOOR MODEL	CAPACITY	POWER	FURNACE MODEL
FY4ANF018	1.00	1.00	
FE4ANF002	0.96	0.89	
FF1ENP018	1.00	1.00	
FF1ENP024	1.00	0.98	
FV4BNF002	0.96	0.89	
FV4CNF018	0.97	0.91	
FV4CNF024	0.96	0.89	
FV4ANF024	1.00	1.00	
CAP**2414A**	1.00	0.97	
CAP**2417A**	1.00	0.97	
CNPF*2418A**	1.00	0.96	
CNPH*2417A**	1.00	0.96	
CNPV*1814A**	1.00	0.97	
CNPV*2414A**	1.00	0.96	
CNPV*2417A**	1.00	0.96	
CSPH*2412A**	1.00	0.96	
CAP**1814A**	0.95	0.96	58CV(A,X)070-12
CAP**2414A**	0.97	0.94	58CV(A,X)070-12
CNPH*2417A**	0.97	0.92	58CV(A,X)070-12
CNPV*1814A**	0.97	0.94	58CV(A,X)070-12
CNPV*2414A**	0.97	0.92	58CV(A,X)070-12
CNPH*2412A**	0.97	0.92	58CV(A,X)090-16
CAP**2417A**	0.96	0.92	58CV(A,X)090-16
CNPH*2417A**	0.97	0.92	58CV(A,X)090-16
CSPH*2412A**	0.97	0.92	58CV(A,X)090-16
CAP**2417A**	0.98	0.87	58MEB040-12
CNPH*2417A**	0.98	0.88	58MEB040-12
CNPV*2417A**	0.98	0.88	58MEB040-12
CSPH*2412A**	0.97	0.88	58MEB040-12
CAP**2417A**	0.97	0.88	58MEB060-12
CNPH*2417A**	0.97	0.89	58MEB060-12
CNPV*2417A**	0.97	0.89	58MEB060-12
CSPH*2412A**	0.96	0.91	58MEB060-12
CNPH*2417A**	0.97	0.92	58MV(B,C)040-14
CSPH*2412A**	0.97	0.92	58MV(B,C)060-14
CAP**2417A**	0.97	0.93	58MV(B,C)060-14
CNPH*2417A**	0.97	0.92	58MV(B,C)060-14
CNPV*2417A**	0.97	0.92	58MV(B,C)060-14
CSPH*2412A**	0.97	0.91	58MV(B,C)060-14
CNPH*2417A**	0.97	0.92	58MV(B,C)080-14
CSPH*2412A**	0.97	0.92	58MV(B,C)080-14
CAP**1814A**	0.96	0.94	58PH*045-08
CAP**2414A**	0.97	0.90	58PH*045-08

# HEAT PUMP HEATING PERFORMANCE CONTINUED

INDOOR AIR		OUTDOOR COIL ENTERING AIR TEMPERATURES °F (°C)																							
		-3 (-19.4)			7 (-13.9)			17 (-8.3)			27 (-2.8)			37 (2.8)			47 (8.3)			57 (13.9)			67 (19.4)		
		Capacity MBtuh		Total Syst. KWT	Capacity MBtuh		Total Syst. KWT	Capacity MBtuh		Total Syst. KWT	Capacity MBtuh		Total Syst. KWT	Capacity MBtuh		Total Syst. KWT	Capacity MBtuh		Total Syst. KWT	Capacity MBtuh		Total Syst. KWT	Capacity MBtuh		Total Syst. KWT
EDB °F (°C)	CFM	Total	Integ*	Total	Integ*	Total	Integ*	Total	Integ*	Total	Integ*	Total	Integ*	Total	Integ*	Total	Integ*	Total	Integ*	Total	Integ*	Total	Integ*	Total	
65 (18.3)	700	9.58	8.82	11.98	11.01	1.59	14.58	13.29	15.56	17.51	15.56	17.75	18.94	1.86	24.20	24.20	1.96	27.14	27.14	2.06	30.15	30.15	2.17	2.09	
	800	9.77	8.99	12.19	11.20	1.60	14.81	13.51	15.81	17.80	15.81	17.74	19.24	1.84	24.17	24.17	1.91	26.94	26.94	2.00	29.60	29.60	2.17	2.09	
	900	9.94	9.15	12.37	11.37	1.61	15.03	13.70	16.04	17.86	16.04	17.74	19.47	1.83	24.07	24.07	1.89	26.59	26.59	1.97	28.87	28.87	2.03	2.03	
70 (21.1)	700	9.29	8.54	11.70	10.75	1.67	14.30	13.04	14.74	17.18	15.26	18.4	20.47	1.95	23.95	23.95	2.06	26.95	26.95	2.17	30.01	30.01	2.29	2.29	
	800	9.48	8.72	11.91	10.94	1.67	14.53	13.25	14.74	17.46	15.51	18.2	20.79	1.93	24.00	24.00	2.01	26.83	26.83	2.11	29.61	29.61	2.20	2.20	
	900	9.65	8.87	12.09	11.11	1.69	14.73	13.43	15.73	17.71	15.73	18.3	21.06	1.92	23.97	23.97	1.99	26.60	26.60	2.07	29.03	29.03	2.15	2.15	
75 (23.9)	700	8.96	8.24	11.40	10.48	1.75	14.02	12.78	14.97	16.85	14.97	19.3	20.14	2.05	23.63	23.63	2.17	26.71	26.71	2.28	29.80	29.80	2.41	2.41	
	800	9.15	8.42	11.61	10.67	1.75	14.25	12.99	15.21	17.13	15.21	19.1	20.44	2.03	23.84	23.84	2.12	26.68	26.68	2.22	29.54	29.54	2.32	2.32	
	900	9.33	8.58	11.80	10.84	1.77	14.45	13.17	15.43	17.37	15.43	19.1	20.71	2.02	23.82	23.82	2.09	26.53	26.53	2.18	29.10	29.10	2.27	2.27	

## 25HBB3224(A)W30 Outdoor Section With FV4ANF024 Indoor Section

HEATING INDOOR MODEL	CAPACITY		POWER	FURNACE MODEL		HEATING INDOOR MODEL	CAPACITY		POWER	FURNACE MODEL		HEATING INDOOR MODEL	CAPACITY		POWER	FURNACE MODEL	
	Total	Integ*		Total	Integ*		Total	Integ*		Total	Integ*		Total	Integ*		Total	Integ*
FV4ANF024	1.00	1.00	1.00	58CV(A,X)135-22	0.95	CSPH*3012A**	0.95	58CV(A,X)135-22	0.91	58MEB040-12	0.95	CSPH*3012A**	0.95	58MEB040-12	0.92	58MV(B,C)080-14	
FF1ENP024	1.00	1.00	1.00	58CV(A,X)155-22	0.98	CNPV*2417A**	0.98	58CV(A,X)155-22	0.94	58MEB040-12	0.98	CNPV*2417A**	0.98	58MEB040-12	0.92	58MV(B,C)080-20	
FF1ENP030	1.01	1.01	1.00	58CV(A,X)155-22	0.96	CNPV*3017A**	0.96	58CV(A,X)155-22	0.92	58MEB040-12	0.96	CNPV*3017A**	0.96	58MEB040-12	0.91	58MV(B,C)080-20	
FV4BN(F)003	0.96	0.90	0.90	58CV(A,X)155-22	0.98	CSPH*2412A**	0.98	58CV(A,X)155-22	0.92	58MEB040-12	0.98	CSPH*2412A**	0.98	58MEB040-12	0.93	58MV(B,C)080-20	
FV4BNF002	0.97	0.90	0.90	58CV(A,X)155-22	0.95	CSPH*3012A**	0.95	58CV(A,X)155-22	0.91	58MEB040-12	0.95	CSPH*3012A**	0.95	58MEB040-12	0.92	58MV(B,C)080-20	
FV4CNF024	0.99	0.94	0.94	58MEB040-12	0.98	CAP**2417A**	0.98	58MEB040-12	0.91	58MEB040-12	0.98	CAP**2417A**	0.98	58MEB040-12	0.94	58MV(B,C)100-20	
FV4CNF030	0.98	0.91	0.91	58MEB040-12	0.94	CAP**3017A**	0.94	58MEB040-12	0.87	58MEB040-12	0.94	CAP**3017A**	0.94	58MEB040-12	0.92	58MV(B,C)100-20	
FV4ANF030	1.00	0.97	0.97	58MEB040-12	0.98	CNPV*2417A**	0.98	58MEB040-12	0.91	58MEB040-12	0.98	CNPV*2417A**	0.98	58MEB040-12	0.92	58MV(B,C)100-20	
CAP**2414A**	1.02	1.00	1.00	58MEB040-12	0.94	CNPV*3017A**	0.94	58MEB040-12	0.87	58MEB040-12	0.94	CNPV*3017A**	0.94	58MEB040-12	0.91	58MV(B,C)120-20	
CAP**2417A**	1.02	1.00	1.00	58MEB040-12	0.98	CNPV*2417A**	0.98	58MEB040-12	0.91	58MEB040-12	0.98	CNPV*2417A**	0.98	58MEB040-12	0.95	58MV(B,C)120-20	
CAP**3014A**	0.98	0.97	0.97	58MEB040-12	0.94	CNPV*3017A**	0.94	58MEB040-12	0.87	58MEB040-12	0.94	CNPV*3017A**	0.94	58MEB040-12	0.93	58MV(B,C)120-20	
CNPV*2418A**	1.02	0.98	0.98	58MEB040-12	0.98	CSPH*2412A**	0.98	58MEB040-12	0.88	58MEB040-12	0.98	CSPH*2412A**	0.98	58MEB040-12	0.93	58MV(B,C)120-20	
CNPV*3014A**	1.02	0.98	0.98	58MEB040-12	0.94	CSPH*3012A**	0.94	58MEB040-12	0.88	58MEB040-12	0.94	CSPH*3012A**	0.94	58MEB040-12	0.93	58MV(B,C)120-20	
CNPV*2414A**	1.02	0.98	0.98	58MEB040-12	0.98	CAP**2417A**	0.98	58MEB040-12	0.90	58MEB040-12	0.98	CAP**2417A**	0.98	58MEB040-12	0.95	58PH*045-08	
CNPV*3014A**	0.98	0.97	0.97	58MEB040-12	0.98	CAP**3017A**	0.98	58MEB040-12	0.87	58MEB040-12	0.98	CAP**3017A**	0.98	58MEB040-12	0.94	58PH*045-08	
CSPH*2412A**	1.01	0.97	0.97	58MEB040-12	0.94	CNPV*2417A**	0.94	58MEB040-12	0.87	58MEB040-12	0.94	CNPV*2417A**	0.94	58MEB040-12	0.92	58PH*045-08	
CSPH*3012A**	0.97	0.96	0.96	58MEB040-12	0.94	CSPH*3012A**	0.94	58MEB040-12	0.88	58MEB040-12	0.94	CSPH*3012A**	0.94	58MEB040-12	0.92	58PH*045-08	
CAP**2414A**	0.98	0.96	0.96	58CV(A,X)070-12	0.98	CAP**2417A**	0.98	58CV(A,X)070-12	0.91	58MEB080-12	0.98	CAP**2417A**	0.98	58MEB080-12	0.92	58PH*045-08	
CAP**2417A**	0.96	0.93	0.93	58CV(A,X)070-12	0.98	CAP**3017A**	0.98	58CV(A,X)070-12	0.89	58MEB080-12	0.96	CAP**3017A**	0.96	58MEB080-12	0.94	58PH*045-08	
CNPV*2417A**	0.96	0.93	0.93	58CV(A,X)070-12	0.98	CNPV*2417A**	0.98	58CV(A,X)070-12	0.89	58MEB080-12	0.96	CNPV*2417A**	0.96	58MEB080-12	0.94	58PH*045-08	
CNPV*3017A**	0.96	0.93	0.93	58CV(A,X)070-12	0.98	CNPV*3017A**	0.98	58CV(A,X)070-12	0.89	58MEB080-12	0.96	CNPV*3017A**	0.96	58MEB080-12	0.94	58PH*045-08	
CSPH*2412A**	0.95	0.92	0.92	58CV(A,X)090-16	0.98	CNPV*2412A**	0.98	58CV(A,X)090-16	0.87	58MEB080-12	0.98	CNPV*2412A**	0.98	58MEB080-12	0.92	58PH*045-08	
CSPH*3012A**	0.96	0.92	0.92	58CV(A,X)090-16	0.98	CSPH*3012A**	0.98	58CV(A,X)090-16	0.87	58MEB080-12	0.98	CSPH*3012A**	0.98	58MEB080-12	0.92	58PH*045-08	
CAP**2417A**	0.96	0.92	0.92	58CV(A,X)090-16	0.98	CAP**2417A**	0.98	58CV(A,X)090-16	0.88	58MEB080-12	0.98	CAP**2417A**	0.98	58MEB080-12	0.92	58PH*045-08	
CNPV*2417A**	0.96	0.92	0.92	58CV(A,X)090-16	0.98	CNPV*2417A**	0.98	58CV(A,X)090-16	0.88	58MEB080-12	0.98	CNPV*2417A**	0.98	58MEB080-12	0.92	58PH*045-08	
CNPV*3017A**	0.96	0.92	0.92	58CV(A,X)090-16	0.98	CNPV*3017A**	0.98	58CV(A,X)090-16	0.88	58MEB080-12	0.98	CNPV*3017A**	0.98	58MEB080-12	0.92	58PH*045-08	
CSPH*2412A**	0.96	0.92	0.92	58CV(A,X)090-16	0.98	CSPH*2412A**	0.98	58CV(A,X)090-16	0.87	58MEB080-12	0.98	CSPH*2412A**	0.98	58MEB080-12	0.92	58PH*045-08	
CSPH*3012A**	0.96	0.92	0.92	58CV(A,X)090-16	0.98	CSPH*3012A**	0.98	58CV(A,X)090-16	0.87	58MEB080-12	0.98	CSPH*3012A**	0.98	58MEB080-12	0.92	58PH*045-08	
CAP**2417A**	0.95	0.92	0.92	58CV(A,X)110-20	0.98	CAP**2417A**	0.98	58CV(A,X)110-20	0.89	58MEB080-12	0.98	CAP**2417A**	0.98	58MEB080-12	0.92	58PH*045-08	
CNPV*2417A**	0.96	0.92	0.92	58CV(A,X)110-20	0.98	CNPV*2417A**	0.98	58CV(A,X)110-20	0.89	58MEB080-12	0.98	CNPV*2417A**	0.98	58MEB080-12	0.92	58PH*045-08	
CNPV*3017A**	0.96	0.92	0.92	58CV(A,X)110-20	0.98	CNPV*3017A**	0.98	58CV(A,X)110-20	0.89	58MEB080-12	0.98	CNPV*3017A**	0.98	58MEB080-12	0.92	58PH*045-08	
CSPH*2412A**	0.95	0.92	0.92	58CV(A,X)135-22	0.98	CSPH*2412A**	0.98	58CV(A,X)135-22	0.88	58MEB080-12	0.98	CSPH*2412A**	0.98	58MEB080-12	0.92	58PH*045-08	
CSPH*3012A**	0.96	0.92	0.92	58CV(A,X)135-22	0.98	CSPH*3012A**	0.98	58CV(A,X)135-22	0.88	58MEB080-12	0.98	CSPH*3012A**	0.98	58MEB080-12	0.92	58PH*045-08	
CNPV*2417A**	0.96	0.92	0.92	58CV(A,X)135-22	0.98	CNPV*2417A**	0.98	58CV(A,X)135-22	0.88	58MEB080-12	0.98	CNPV*2417A**	0.98	58MEB080-12	0.92	58PH*045-08	
CSPH*2412A**	0.98	0.92	0.92	58CV(A,X)135-22	0.98	CSPH*2412A**	0.98	58CV(A,X)135-22	0.88	58MEB080-12	0.98	CSPH*2412A**	0.98	58MEB080-12	0.92	58PH*045-08	

See notes on page 55



25HBB3

HEAT PUMP HEATING PERFORMANCE CONTINUED

INDOOR AIR		OUTDOOR COIL ENTERING AIR TEMPERATURES ° F (° C)																							
		-3 (-19.4)			7 (-13.9)			17 (-8.3)			27 (-2.8)			37 (2.8)			47 (8.3)			57 (13.9)			67 (19.4)		
EDB ° F (° C)	CFM	Capacity MBtu/h		Total Syst. KW†	Capacity MBtu/h		Total Syst. KW†	Capacity MBtu/h		Total Syst. KW†	Capacity MBtu/h		Total Syst. KW†	Capacity MBtu/h		Total Syst. KW†	Capacity MBtu/h		Total Syst. KW†	Capacity MBtu/h		Total Syst. KW†	Capacity MBtu/h		Total Syst. KW†
		Total	Integ*		Total	Integ*		Total	Integ*		Total	Integ*		Total	Integ*		Total	Integ*		Total	Integ*		Total	Integ*	
65 (18.3)	875	12.02	11.06	1.89	15.08	13.85	1.97	18.33	16.72	2.07	21.82	19.38	2.18	25.66	23.35	2.31	29.99	29.99	2.47	34.77	34.77	2.64	39.32	39.32	2.79
	1000	12.26	11.28	1.90	15.33	14.09	1.98	18.61	16.97	2.06	22.12	19.64	2.16	26.04	23.69	2.28	30.47	30.47	2.42	35.11	35.11	2.55	39.58	39.58	2.69
	1125	12.47	11.47	1.92	15.56	14.30	1.99	18.86	17.19	2.07	22.38	19.88	2.15	28.41	24.04	2.26	30.87	30.87	2.39	35.28	35.28	2.49	39.69	39.69	2.63
70 (21.1)	875	11.62	10.69	1.98	14.71	13.52	2.08	17.98	16.40	2.18	21.49	19.08	2.30	25.25	22.98	2.43	29.55	29.55	2.60	34.31	34.31	2.79	38.81	38.81	2.94
	1000	11.85	10.91	2.00	14.97	13.76	2.08	18.26	16.65	2.17	21.79	19.35	2.28	25.64	23.38	2.40	30.00	30.00	2.55	34.70	34.70	2.69	39.17	39.17	2.83
	1125	12.07	11.10	2.02	15.20	13.97	2.10	18.51	16.88	2.18	22.05	19.56	2.27	25.97	23.63	2.38	30.39	30.39	2.52	34.94	34.94	2.63	39.35	39.35	2.77
75 (23.9)	875	11.19	10.29	2.07	14.32	13.16	2.18	17.61	16.06	2.29	21.13	18.77	2.42	24.86	22.62	2.56	29.13	29.13	2.74	33.84	33.84	2.95	38.33	38.33	3.09
	1000	11.42	10.51	2.09	14.58	13.40	2.19	17.90	16.32	2.29	21.44	19.04	2.40	25.23	22.95	2.52	29.56	29.56	2.68	34.25	34.25	2.84	38.72	38.72	2.98
	1125	11.64	10.70	2.12	14.82	13.61	2.20	18.15	16.55	2.29	21.72	19.29	2.39	25.55	23.25	2.50	29.93	29.93	2.65	34.55	34.55	2.78	38.96	38.96	2.91

25HBB330(A,W)30, 60 Outdoor Section With FY4ANF030 Indoor Section

HEATING INDOOR MODEL	CAPACITY	POWER	FURNACE MODEL	HEATING INDOOR MODEL			CAPACITY	POWER	FURNACE MODEL	HEATING INDOOR MODEL			CAPACITY	POWER	FURNACE MODEL	HEATING INDOOR MODEL			CAPACITY	POWER	FURNACE MODEL	HEATING INDOOR MODEL			CAPACITY	POWER	FURNACE MODEL
				Total	Integ*	Total Syst. KW†				Total	Integ*	Total Syst. KW†				Total	Integ*	Total Syst. KW†				Total	Integ*	Total Syst. KW†			
*FY4ANF030	1.00	1.00		CNPH*3017A**	0.99	0.98	58CV(A,X)110-20	1.00	0.96	58MEB030-16	CNPH*3017A**	1.00	0.96	58MEB030-16	CNPH*3017A**	1.00	0.96	58MEB030-16	CNPH*3017A**	1.00	0.96	58MEB030-16	CNPH*3017A**	1.00	0.96	58MEB030-16	
FE4AN(B,F)003	0.99	0.96		CNPH*3617A**	0.99	0.98	58CV(A,X)110-20	1.00	0.96	58MEB040-12	CNPH*3017A**	1.00	0.96	58MEB040-12	CNPH*3017A**	1.00	0.96	58MEB040-12	CNPH*3017A**	1.00	0.96	58MEB040-12	CNPH*3017A**	1.00	0.96	58MEB040-12	
FE4ANF002	1.00	0.97		CNPH*3621A**	1.00	0.98	58CV(A,X)110-20	1.00	0.96	58MEB040-12	CNPH*3617A**	1.00	0.96	58MEB040-12	CNPH*3617A**	1.00	0.96	58MEB040-12	CNPH*3617A**	1.00	0.96	58MEB040-12	CNPH*3617A**	1.00	0.96	58MEB040-12	
FF1ENP030	1.00	1.01		CSPH*3012A**	1.00	0.99	58CV(A,X)110-20	1.00	0.99	58MEB060-12	CSPH*3012A**	1.00	0.99	58MEB060-12	CSPH*3012A**	1.00	0.99	58MEB060-12	CSPH*3012A**	1.00	0.99	58MEB060-12	CSPH*3012A**	1.00	0.99	58MEB060-12	
FF1ENP036	1.00	0.99		CSPH*3612A**	1.00	0.95	58CV(A,X)110-20	1.00	0.95	58MEB060-12	CSPH*3612A**	1.00	0.95	58MEB060-12	CSPH*3612A**	1.00	0.95	58MEB060-12	CSPH*3612A**	1.00	0.95	58MEB060-12	CSPH*3612A**	1.00	0.95	58MEB060-12	
FV4BN(B,F)003	0.99	0.96		CNPH*3017A**	0.99	0.98	58CV(A,X)135-22	1.00	0.97	58MEB040-12	CNPH*3017A**	0.99	0.98	58MEB040-12	CNPH*3017A**	0.99	0.98	58MEB040-12	CNPH*3017A**	0.99	0.98	58MEB040-12	CNPH*3017A**	0.99	0.98	58MEB040-12	
FV4CN(B,F)036	1.00	0.96		CNPH*3617A**	1.00	0.98	58CV(A,X)135-22	1.00	0.97	58MEB040-12	CNPH*3617A**	1.00	0.98	58MEB040-12	CNPH*3617A**	1.00	0.98	58MEB040-12	CNPH*3617A**	1.00	0.98	58MEB040-12	CNPH*3617A**	1.00	0.98	58MEB040-12	
FV4CNF030	1.00	0.96		CSPH*3012A**	1.00	0.99	58CV(A,X)135-22	1.00	0.99	58MEB040-12	CSPH*3012A**	1.00	0.99	58MEB040-12	CSPH*3012A**	1.00	0.99	58MEB040-12	CSPH*3012A**	1.00	0.99	58MEB040-12	CSPH*3012A**	1.00	0.99	58MEB040-12	
FV4BNF002	1.00	0.97		CSPH*3612A**	1.00	0.95	58CV(A,X)135-22	1.00	0.95	58MEB040-12	CSPH*3612A**	1.00	0.95	58MEB040-12	CSPH*3612A**	1.00	0.95	58MEB040-12	CSPH*3612A**	1.00	0.95	58MEB040-12	CSPH*3612A**	1.00	0.95	58MEB040-12	
FY4ANF036	1.00	1.00		CNPH*3017A**	1.00	0.98	58CV(A,X)155-22	1.00	0.98	58MEB040-12	CNPH*3017A**	1.00	0.98	58MEB040-12	CNPH*3017A**	1.00	0.98	58MEB040-12	CNPH*3017A**	1.00	0.98	58MEB040-12	CNPH*3017A**	1.00	0.98	58MEB040-12	
CAP**3017A**	1.00	1.00		CNPH*3617A**	1.00	0.98	58CV(A,X)155-22	1.00	0.98	58MEB040-12	CNPH*3617A**	1.00	0.98	58MEB040-12	CNPH*3617A**	1.00	0.98	58MEB040-12	CNPH*3617A**	1.00	0.98	58MEB040-12	CNPH*3617A**	1.00	0.98	58MEB040-12	
CAP**3017A**	1.00	1.00		CSPH*3012A**	1.00	0.99	58CV(A,X)155-22	1.00	0.99	58MEB040-12	CSPH*3012A**	1.00	0.99	58MEB040-12	CSPH*3012A**	1.00	0.99	58MEB040-12	CSPH*3012A**	1.00	0.99	58MEB040-12	CSPH*3012A**	1.00	0.99	58MEB040-12	
CAP**3614A**	1.00	0.99		CSPH*3612A**	1.00	0.95	58CV(A,X)155-22	1.00	0.95	58MEB040-12	CSPH*3612A**	1.00	0.95	58MEB040-12	CSPH*3612A**	1.00	0.95	58MEB040-12	CSPH*3612A**	1.00	0.95	58MEB040-12	CSPH*3612A**	1.00	0.95	58MEB040-12	
CAP**3017A**	1.00	0.99		CAP**3017A**	1.00	0.97	58MEB040-12	1.00	0.97	58MEB040-12	CAP**3017A**	1.00	0.97	58MEB040-12	CAP**3017A**	1.00	0.97	58MEB040-12	CAP**3017A**	1.00	0.97	58MEB040-12	CAP**3017A**	1.00	0.97	58MEB040-12	
CAP**3621A**	1.00	0.99		CAP**3617A**	1.00	0.96	58MEB040-12	1.00	0.96	58MEB040-12	CAP**3621A**	1.00	0.96	58MEB040-12	CAP**3617A**	1.00	0.96	58MEB040-12	CAP**3621A**	1.00	0.96	58MEB040-12	CAP**3617A**	1.00	0.96	58MEB040-12	
CNPH*3017A**	1.00	0.99		CNPH*3017A**	1.00	0.97	58MEB040-12	1.00	0.97	58MEB040-12	CNPH*3017A**	1.00	0.97	58MEB040-12	CNPH*3017A**	1.00	0.97	58MEB040-12	CNPH*3017A**	1.00	0.97	58MEB040-12	CNPH*3017A**	1.00	0.97	58MEB040-12	
CNPH*3618A**	1.00	0.99		CNPH*3017A**	1.00	0.97	58MEB040-12	1.00	0.97	58MEB040-12	CNPH*3618A**	1.00	0.97	58MEB040-12	CNPH*3017A**	1.00	0.97	58MEB040-12	CNPH*3618A**	1.00	0.97	58MEB040-12	CNPH*3017A**	1.00	0.97	58MEB040-12	
CNPH*3017A**	1.00	0.99		CNPH*3617A**	1.00	0.97	58MEB040-12	1.00	0.97	58MEB040-12	CNPH*3017A**	1.00	0.97	58MEB040-12	CNPH*3617A**	1.00	0.97	58MEB040-12	CNPH*3017A**	1.00	0.97	58MEB040-12	CNPH*3617A**	1.00	0.97	58MEB040-12	
CNPH*3617A**	1.00	0.99		CNPH*3017A**	1.00	0.97	58MEB040-12	1.00	0.97	58MEB040-12	CNPH*3617A**	1.00	0.97	58MEB040-12	CNPH*3017A**	1.00	0.97	58MEB040-12	CNPH*3617A**	1.00	0.97	58MEB040-12	CNPH*3017A**	1.00	0.97	58MEB040-12	
CNPH*3014A**	1.00	1.01		CSPH*3612A**	1.00	0.95	58CV(A,X)070-12	1.00	0.97	58MEB060-12	CNPH*3014A**	1.00	1.01	58CV(A,X)070-12	CSPH*3612A**	1.00	0.95	58CV(A,X)070-12	CNPH*3014A**	1.00	1.01	58CV(A,X)070-12	CSPH*3612A**	1.00	0.95	58CV(A,X)070-12	
CNPH*3017A**	1.00	1.00		CNPH*3017A**	1.00	0.99	58CV(A,X)070-12	1.00	0.99	58MEB060-12	CNPH*3017A**	1.00	1.00	58CV(A,X)070-12	CNPH*3017A**	1.00	0.99	58CV(A,X)070-12	CNPH*3017A**	1.00	1.00	58CV(A,X)070-12	CNPH*3017A**	1.00	0.99	58MEB060-12	
CNPH*3617A**	1.00	1.00		CNPH*3617A**	1.00	0.99	58CV(A,X)070-12	1.00	0.99	58MEB060-12	CNPH*3617A**	1.00	1.00	58CV(A,X)070-12	CNPH*3617A**	1.00	0.99	58CV(A,X)070-12	CNPH*3617A**	1.00	1.00	58CV(A,X)070-12	CNPH*3617A**	1.00	0.99	58MEB060-12	
CNPH*3014A**	1.00	1.01		CNPH*3012A**	1.00	0.99	58CV(A,X)070-12	1.00	0.99	58MEB060-12	CNPH*3014A**	1.00	1.01	58CV(A,X)070-12	CNPH*3012A**	1.00	0.99	58CV(A,X)070-12	CNPH*3014A**	1.00	1.01	58CV(A,X)070-12	CNPH*3012A**	1.00	0.99	58MEB060-12	
CNPH*3017A**	1.00	1.00		CNPH*3012A**	1.00	0.99	58CV(A,X)070-12	1.00	0.99	58MEB060-12	CNPH*3017A**	1.00	1.00	58CV(A,X)070-12	CNPH*3012A**	1.00	0.99	58CV(A,X)070-12	CNPH*3017A**	1.00	1.00	58CV(A,X)070-12	CNPH*3012A**	1.00	0.99	58MEB060-12	
CNPH*3014A**	1.00	1.01		CNPH*3617A**	1.00	0.97	58CV(A,X)070-12	1.00	0.97	58MEB060-12	CNPH*3014A**	1.00	1.01	58CV(A,X)070-12	CNPH*3617A**	1.00	0.97	58CV(A,X)070-12	CNPH*3014A**	1.00	1.01	58CV(A,X)070-12	CNPH*3617A**	1.00	0.97	58MEB060-12	
CNPH*3017A**	1.00	1.00		CNPH*3017A**	1.00	0.99	58CV(A,X)090-16	1.00	0.99																		

# HEAT PUMP HEATING PERFORMANCE CONTINUED

25HBB30(A,W)30, 50 Outdoor Section With FY4ANF030 Indoor Section

HEATING INDOOR MODEL	CAPACITY	POWER	FURNACE MODEL
CAP**3617A**	1.00	0.98	58PH*070-16
CNPH*3017A**	1.00	0.99	58PH*070-16
CNPH*3617A**	1.00	0.99	58PH*070-16
CNPV*3017A**	1.00	0.99	58PH*070-16
CNPV*3617A**	1.00	0.99	58PH*070-16
CSPH*3012A**	1.00	0.99	58PH*070-16
CSPH*3612A**	1.00	0.94	58PH*070-16
CAP**3621A**	1.00	0.96	58PH*090-16
CNPH*3017A**	1.00	0.98	58PH*090-16
CNPH*3617A**	1.00	0.98	58PH*090-16
CNPV*3621A**	1.00	0.98	58PH*090-16
CSPH*3012A**	1.00	0.99	58PH*090-16
CSPH*3612A**	1.00	0.93	58PH*090-16

See notes on page 55

HEAT PUMP HEATING PERFORMANCE CONTINUED

INDOOR AIR		OUTDOOR COIL ENTERING AIR TEMPERATURES ° F (° C)																							
		-3 (-19.4)			7 (-13.9)			17 (-8.3)			27 (-2.8)			37 (2.8)			47 (8.3)			57 (13.9)			67 (19.4)		
EDB °F (°C)	CFM	Capacity MBtuh		Total Syst. KWT	Capacity MBtuh		Total Syst. KWT	Capacity MBtuh		Total Syst. KWT	Capacity MBtuh		Total Syst. KWT	Capacity MBtuh		Total Syst. KWT	Capacity MBtuh		Total Syst. KWT	Capacity MBtuh		Total Syst. KWT			
		Total	Integ*		Total	Integ*		Total	Integ*		Total	Integ*		Total	Integ*		Total	Integ*		Total	Integ*		Total	Integ*	Total
65 (18.3)	1050	14.67	13.49	2.21	18.39	16.90	2.31	22.34	20.37	2.43	26.52	23.55	2.55	31.22	28.41	2.70	35.59	35.59	2.81	39.80	39.80	2.95	44.00	44.00	3.09
	1200	14.99	13.79	2.24	18.74	17.22	2.34	22.71	20.70	2.44	26.92	23.91	2.55	31.69	28.84	2.67	35.68	35.68	2.77	39.71	39.71	2.89	43.61	43.61	3.01
	1350	15.28	14.05	2.28	19.04	17.50	2.37	23.03	21.00	2.46	27.30	24.25	2.57	31.99	29.11	2.67	35.69	35.69	2.76	39.57	39.57	2.86	43.09	43.09	2.96
70 (21.1)	1050	14.11	12.98	2.29	17.89	16.44	2.41	21.87	19.94	2.53	26.08	23.16	2.67	30.68	27.92	2.82	35.26	35.26	2.95	39.46	39.46	3.09	43.69	43.69	3.24
	1200	14.43	13.28	2.33	18.24	16.77	2.44	22.26	20.29	2.55	26.48	23.52	2.67	31.18	28.38	2.81	35.40	35.40	2.91	39.47	39.47	3.03	43.45	43.45	3.16
	1350	14.73	13.55	2.37	18.56	17.05	2.47	22.59	20.59	2.57	26.85	23.84	2.68	31.58	28.74	2.80	35.47	35.47	2.90	39.45	39.45	3.00	43.06	43.06	3.11
75 (23.9)	1050	13.50	12.42	2.38	17.35	15.95	2.51	21.37	19.49	2.65	25.61	22.75	2.79	30.14	27.42	2.95	34.88	34.88	3.09	39.08	39.08	3.24	43.32	43.32	3.40
	1200	13.81	12.71	2.42	17.71	16.27	2.54	21.76	19.84	2.66	26.02	23.11	2.79	30.65	27.89	2.94	35.10	35.10	3.03	39.17	39.17	3.18	43.19	43.19	3.31
	1350	14.11	12.98	2.46	18.03	16.57	2.58	22.10	20.15	2.68	26.38	23.43	2.80	31.06	28.27	2.93	35.21	35.21	3.05	39.15	39.15	3.15	42.93	42.93	3.26

25HBB336(A,W)30, 50, 60 Outdoor Section With FY4ANF036 Indoor Section

HEATING INDOOR MODEL	CAPACITY	POWER	FURNACE MODEL	HEATING INDOOR MODEL			POWER	CAPACITY	FURNACE MODEL	HEATING INDOOR MODEL			POWER	CAPACITY	FURNACE MODEL	HEATING INDOOR MODEL			POWER	CAPACITY	FURNACE MODEL			
				MODEL	POWER	FURNACE MODEL				MODEL	POWER	FURNACE MODEL				MODEL	POWER	FURNACE MODEL						
*FY4ANF036	1.00	1.00	58CV(A,X)070-12	CSPH*4212A**	0.95	58CV(A,X)135-22	0.90	0.95	58CV(A,X)135-22	0.90	0.95	58CV(A,X)135-22	0.90	0.95	58CV(A,X)135-22	0.90	0.95	58CV(A,X)135-22	0.90	0.95	58CV(A,X)135-22	0.90	0.95	58CV(A,X)135-22
FF1EAF036	0.99	0.99	58CV(A,X)090-16	CAP**4224A**	0.96	58CV(A,X)155-22	0.92	0.96	58CV(A,X)155-22	0.92	0.96	58CV(A,X)155-22	0.92	0.96	58CV(A,X)155-22	0.92	0.96	58CV(A,X)155-22	0.92	0.96	58CV(A,X)155-22	0.92	0.96	58CV(A,X)155-22
FV4BN(F)003	0.97	0.94	58CV(A,X)090-16	CNPV*3617A**	0.97	58CV(A,X)155-22	0.95	0.97	58CV(A,X)155-22	0.95	0.97	58CV(A,X)155-22	0.95	0.97	58CV(A,X)155-22	0.95	0.97	58CV(A,X)155-22	0.95	0.97	58CV(A,X)155-22	0.95	0.97	58CV(A,X)155-22
FV4BN(F)003	0.96	0.92	58CV(A,X)090-16	CNPV*4221A**	0.97	58CV(A,X)155-22	0.93	0.97	58CV(A,X)155-22	0.93	0.97	58CV(A,X)155-22	0.93	0.97	58CV(A,X)155-22	0.93	0.97	58CV(A,X)155-22	0.93	0.97	58CV(A,X)155-22	0.93	0.97	58CV(A,X)155-22
FV4CN(B)036	0.98	0.99	58CV(A,X)090-16	CSPH*3612A**	0.96	58CV(A,X)155-22	0.91	0.96	58CV(A,X)155-22	0.91	0.96	58CV(A,X)155-22	0.91	0.96	58CV(A,X)155-22	0.91	0.96	58CV(A,X)155-22	0.91	0.96	58CV(A,X)155-22	0.91	0.96	58CV(A,X)155-22
FV4CN(B)042	0.95	0.91	58CV(A,X)090-16	CSPH*4212A**	0.95	58CV(A,X)155-22	0.89	0.95	58CV(A,X)155-22	0.89	0.95	58CV(A,X)155-22	0.89	0.95	58CV(A,X)155-22	0.89	0.95	58CV(A,X)155-22	0.89	0.95	58CV(A,X)155-22	0.89	0.95	58CV(A,X)155-22
FY4ANF042	0.97	0.90	58CV(A,X)090-16	CAP**3617A**	0.97	58MEB040-12	0.94	0.97	58MEB040-12	0.94	0.97	58MEB040-12	0.94	0.97	58MEB040-12	0.94	0.97	58MEB040-12	0.94	0.97	58MEB040-12	0.94	0.97	58MEB040-12
CAP**3617A**	0.99	1.00	58CV(A,X)090-16	CNPV*3617A**	0.97	58MEB040-12	0.95	0.99	58MEB040-12	0.95	0.99	58MEB040-12	0.95	0.99	58MEB040-12	0.95	0.99	58MEB040-12	0.95	0.99	58MEB040-12	0.95	0.99	58MEB040-12
CAP**3617A**	0.99	0.99	58CV(A,X)090-16	CNPV*4221A**	0.97	58MEB040-12	0.92	0.99	58MEB040-12	0.92	0.99	58MEB040-12	0.92	0.99	58MEB040-12	0.92	0.99	58MEB040-12	0.92	0.99	58MEB040-12	0.92	0.99	58MEB040-12
CAP**3621A**	0.99	0.99	58CV(A,X)090-16	CNPV*3617A**	0.97	58MEB060-12	0.95	0.99	58MEB060-12	0.95	0.99	58MEB060-12	0.95	0.99	58MEB060-12	0.95	0.99	58MEB060-12	0.95	0.99	58MEB060-12	0.95	0.99	58MEB060-12
CAP**4224A**	0.99	0.98	58CV(A,X)090-16	CNPV*4217A**	0.95	58MEB040-12	0.90	0.98	58MEB040-12	0.90	0.98	58MEB040-12	0.90	0.98	58MEB040-12	0.90	0.98	58MEB040-12	0.90	0.98	58MEB040-12	0.90	0.98	58MEB040-12
CNPV*3618A**	1.00	0.95	58CV(A,X)090-16	CSPH*4212A**	0.95	58MEB040-12	0.89	1.00	58MEB040-12	0.89	1.00	58MEB040-12	0.89	1.00	58MEB040-12	0.89	1.00	58MEB040-12	0.89	1.00	58MEB040-12	0.89	1.00	58MEB040-12
CNPV*3617A**	1.00	0.96	58CV(A,X)070-12	CAP**3617A**	0.97	58MEB060-12	0.94	1.00	58MEB060-12	0.94	1.00	58MEB060-12	0.94	1.00	58MEB060-12	0.94	1.00	58MEB060-12	0.94	1.00	58MEB060-12	0.94	1.00	58MEB060-12
CNPV*3617A**	0.99	0.96	58CV(A,X)070-12	CNPV*4221A**	0.97	58MEB060-12	0.92	0.99	58MEB060-12	0.92	0.99	58MEB060-12	0.92	0.99	58MEB060-12	0.92	0.99	58MEB060-12	0.92	0.99	58MEB060-12	0.92	0.99	58MEB060-12
CNPV*3617A**	0.99	0.96	58CV(A,X)070-12	CNPV*3617A**	0.97	58MEB060-12	0.95	0.99	58MEB060-12	0.95	0.99	58MEB060-12	0.95	0.99	58MEB060-12	0.95	0.99	58MEB060-12	0.95	0.99	58MEB060-12	0.95	0.99	58MEB060-12
CNPV*3617A**	1.00	0.95	58CV(A,X)090-16	CNPV*3617A**	0.97	58MEB060-12	0.92	1.00	58MEB060-12	0.92	1.00	58MEB060-12	0.92	1.00	58MEB060-12	0.92	1.00	58MEB060-12	0.92	1.00	58MEB060-12	0.92	1.00	58MEB060-12
CNPV*4217A**	0.97	0.95	58CV(A,X)090-16	CNPV*4217A**	0.95	58MEB060-12	0.90	0.97	58MEB060-12	0.90	0.97	58MEB060-12	0.90	0.97	58MEB060-12	0.90	0.97	58MEB060-12	0.90	0.97	58MEB060-12	0.90	0.97	58MEB060-12
CNPV*4221A**	0.99	0.97	58CV(A,X)090-16	CSPH*3612A**	0.95	58MEB060-12	0.90	0.99	58MEB060-12	0.90	0.99	58MEB060-12	0.90	0.99	58MEB060-12	0.90	0.99	58MEB060-12	0.90	0.99	58MEB060-12	0.90	0.99	58MEB060-12
CSPH*3612A**	0.98	0.98	58CV(A,X)090-16	CSPH*4212A**	0.95	58MEB060-12	0.89	0.98	58MEB060-12	0.89	0.98	58MEB060-12	0.89	0.98	58MEB060-12	0.89	0.98	58MEB060-12	0.89	0.98	58MEB060-12	0.89	0.98	58MEB060-12
CSPH*4212A**	0.97	0.97	58CV(A,X)090-16	CAP**3617A**	0.97	58MEB060-12	0.94	0.97	58MEB060-12	0.94	0.97	58MEB060-12	0.94	0.97	58MEB060-12	0.94	0.97	58MEB060-12	0.94	0.97	58MEB060-12	0.94	0.97	58MEB060-12
CAP**3614A**	0.98	0.91	58CV(A,X)070-12	CNPV*3617A**	0.97	58MEB060-12	0.96	0.98	58MEB060-12	0.96	0.98	58MEB060-12	0.96	0.98	58MEB060-12	0.96	0.98	58MEB060-12	0.96	0.98	58MEB060-12	0.96	0.98	58MEB060-12
CNPV*3617A**	0.98	0.97	58CV(A,X)070-12	CNPV*4221A**	0.97	58MEB060-12	0.93	0.98	58MEB060-12	0.93	0.98	58MEB060-12	0.93	0.98	58MEB060-12	0.93	0.98	58MEB060-12	0.93	0.98	58MEB060-12	0.93	0.98	58MEB060-12
CNPV*4221A**	0.97	0.94	58CV(A,X)070-12	CNPV*3617A**	0.97	58MEB060-12	0.96	0.97	58MEB060-12	0.96	0.97	58MEB060-12	0.96	0.97	58MEB060-12	0.96	0.97	58MEB060-12	0.96	0.97	58MEB060-12	0.96	0.97	58MEB060-12
CNPV*4221A**	0.97	0.94	58CV(A,X)070-12	CNPV*4217A**	0.97	58MEB060-12	0.92	0.97	58MEB060-12	0.92	0.97	58MEB060-12	0.92	0.97	58MEB060-12	0.92	0.97	58MEB060-12	0.92	0.97	58MEB060-12	0.92	0.97	58MEB060-12
CNPV*4221A**	0.95	0.91	58CV(A,X)070-12	CSPH*3612A**	0.95	58MEB060-12	0.90	0.95	58MEB060-12	0.90	0.95	58MEB060-12	0.90	0.95	58MEB060-12	0.90	0.95	58MEB060-12	0.90	0.95	58MEB060-12	0.90	0.95	58MEB060-12
CAP**3617A**	0.97	0.95	58CV(A,X)090-16	CNPV*4212A**	0.95	58MEB060-12	0.89	0.97	58MEB060-12	0.89	0.97	58MEB060-12	0.89	0.97	58MEB060-12	0.89	0.97	58MEB060-12	0.89	0.97	58MEB060-12	0.89	0.97	58MEB060-12
CNPV*3617A**	0.98	0.97	58CV(A,X)090-16	CAP**3617A**	0.97	58MEB060-16	0.94	0.98	58MEB060-16	0.94	0.98	58MEB060-16	0.94	0.98	58MEB060-16	0.94	0.98	58MEB060-16	0.94	0.98	58MEB060-16	0.94	0.98	58MEB060-16
CNPV*3617A**	0.97	0.94	58CV(A,X)090-16	CNPV*3617A**	0.97	58MEB060-16	0.92	0.97	58MEB060-16	0.92	0.97	58MEB060-16	0.92	0.										

# HEAT PUMP HEATING PERFORMANCE CONTINUED

25HBB36(A,W)30, 50, 60 Outdoor Section With F4ANF036 Indoor Section

HEATING INDOOR MODEL	CAPACITY	POWER	FURNACE MODEL
CAP**3617A**	0.98	0.97	58PH*070-16
CNPH*3617A**	0.98	0.98	58PH*070-16
CNPH*4221A**	0.98	0.95	58PH*070-16
CNPV*3617A**	0.98	0.98	58PH*070-16
CNPV*4217A**	0.96	0.93	58PH*070-16
CSPH*3612A**	0.97	0.93	58PH*070-16
CSPH*4212A**	0.95	0.91	58PH*070-16
CAP**3621A**	0.97	0.93	58PH*090-16
CAP**4221A**	0.97	0.92	58PH*090-16
CNPH*3617A**	0.98	0.96	58PH*090-16
CNPH*4221A**	0.97	0.93	58PH*090-16
CNPV*3621A**	0.98	0.95	58PH*090-16
CNPV*4221A**	0.97	0.93	58PH*090-16
CSPH*3612A**	0.96	0.90	58PH*090-16
CSPH*4212A**	0.95	0.88	58PH*090-16
CAP**3621A**	0.97	0.92	58PH*110-20
CAP**4221A**	0.97	0.91	58PH*110-20
CNPH*3617A**	0.98	0.95	58PH*110-20
CNPH*4221A**	0.97	0.91	58PH*110-20
CNPV*3621A**	0.98	0.95	58PH*110-20
CNPV*4221A**	0.97	0.91	58PH*110-20
CSPH*3612A**	0.96	0.90	58PH*110-20
CSPH*4212A**	0.95	0.88	58PH*110-20

See notes on page 55

HEAT PUMP HEATING PERFORMANCE CONTINUED

INDOOR AIR		OUTDOOR COIL ENTERING AIR TEMPERATURES ° F (° C)																							
		-3 (-19.4)			7 (-13.9)			17 (-8.3)			27 (-2.8)			37 (2.8)			47 (8.3)			57 (13.9)			67 (19.4)		
		Capacity MBtuh		Total Sys. KWT	Capacity MBtuh		Total Sys. KWT	Capacity MBtuh		Total Sys. KWT	Capacity MBtuh		Total Sys. KWT	Capacity MBtuh		Total Sys. KWT	Capacity MBtuh		Total Sys. KWT	Capacity MBtuh		Total Sys. KWT	Capacity MBtuh		Total Sys. KWT
EDB ° F (° C)	CFM	Total	Integ*	Total	Integ*	Total	Integ*	Total	Integ*	Total	Integ*	Total	Integ*	Total	Integ*	Total	Integ*	Total	Integ*	Total	Integ*	Total	Integ*		
25HBB342(A,W)30, 50, 60 Outdoor Section With FY4ANF042 Indoor Section																									
65 (18.3)	1225	17.53	16.13	2.72	21.61	19.86	2.83	25.00	23.71	2.95	30.74	27.30	3.08	36.21	32.95	3.26	42.09	42.09	3.43	47.60	47.60	3.60	53.07	53.07	3.79
	1400	17.88	16.45	2.75	21.99	20.20	2.85	26.39	24.06	2.96	31.20	27.71	3.08	36.75	33.44	3.25	42.44	42.44	3.38	47.57	47.57	3.53	52.73	52.73	3.69
	1575	18.21	16.75	2.80	22.32	20.51	2.89	26.75	24.39	2.99	31.61	28.08	3.10	37.22	33.87	3.25	42.50	42.50	3.36	47.37	47.37	3.49	52.15	52.15	3.63
70 (21.1)	1225	17.06	15.69	2.84	21.17	19.45	2.96	25.58	23.32	3.09	30.29	26.90	3.23	35.68	32.47	3.42	41.58	41.58	3.60	47.11	47.11	3.77	52.62	52.62	3.98
	1400	17.40	16.01	2.88	21.52	19.78	2.99	25.97	23.68	3.10	30.69	27.26	3.23	36.21	32.96	3.40	42.00	42.00	3.55	47.24	47.24	3.70	52.50	52.50	3.87
	1575	17.74	16.32	2.92	21.88	20.11	3.02	26.32	24.00	3.12	31.11	27.63	3.24	36.68	33.38	3.40	42.19	42.19	3.52	47.15	47.15	3.66	52.04	52.04	3.81
75 (23.9)	1225	16.54	15.21	2.96	20.69	19.02	3.09	25.13	22.91	3.23	29.85	26.51	3.39	35.03	31.88	3.57	41.04	41.04	3.78	46.60	46.60	3.95	52.13	52.13	4.17
	1400	16.89	15.54	3.00	21.08	19.37	3.12	25.53	23.28	3.24	30.29	26.90	3.38	35.58	32.38	3.55	41.57	41.57	3.72	46.84	46.84	3.88	52.10	52.10	4.06
	1575	17.21	15.83	3.05	21.41	19.67	3.16	25.90	23.62	3.27	30.67	27.24	3.40	36.15	32.90	3.56	41.81	41.81	3.69	46.84	46.84	3.84	51.83	51.83	3.99

HEATING INDOOR MODEL	CAPACITY	POWER	FURNACE MODEL		HEATING INDOOR MODEL	CAPACITY	POWER	FURNACE MODEL		HEATING INDOOR MODEL	CAPACITY	POWER	FURNACE MODEL		HEATING INDOOR MODEL	CAPACITY	POWER	FURNACE MODEL		HEATING INDOOR MODEL	CAPACITY	POWER	FURNACE MODEL				
			Model	Efficiency				Model	Efficiency				Model	Efficiency				Model	Efficiency				Model	Efficiency	Model	Efficiency	Model
*FY4ANF042	1.00	1.00	58CV(A,X)135-22	0.98	CAP**4824A**	0.98	0.93	58CV(A,X)135-22	0.98	CAP**4824A**	0.98	0.93	58CV(A,X)135-22	0.98	0.93	58CV(A,X)135-22	0.98	0.93	58CV(A,X)135-22	0.98	0.93	58CV(A,X)135-22	0.98	0.93	58CV(A,X)135-22	0.98	0.93
FE4AN(F)003	0.98	1.01	58CV(A,X)135-22	0.98	CAP**4221A**	0.98	0.97	58CV(A,X)135-22	0.98	CAP**4221A**	0.98	0.97	58CV(A,X)135-22	0.98	0.97	58CV(A,X)135-22	0.98	0.97	58CV(A,X)135-22	0.98	0.97	58CV(A,X)135-22	0.98	0.97	58CV(A,X)135-22	0.98	0.97
FE4AN(B)F005	0.96	0.93	58CV(A,X)135-22	0.98	CNP**4821A**	0.98	0.93	58CV(A,X)135-22	0.98	CNP**4821A**	0.98	0.93	58CV(A,X)135-22	0.98	0.93	58CV(A,X)135-22	0.98	0.93	58CV(A,X)135-22	0.98	0.93	58CV(A,X)135-22	0.98	0.93	58CV(A,X)135-22	0.98	0.93
FE4AN(B)F003	0.94	0.90	58CV(A,X)135-22	0.98	CNP**4824A**	0.98	0.93	58CV(A,X)135-22	0.98	CNP**4824A**	0.98	0.93	58CV(A,X)135-22	0.98	0.93	58CV(A,X)135-22	0.98	0.93	58CV(A,X)135-22	0.98	0.93	58CV(A,X)135-22	0.98	0.93	58CV(A,X)135-22	0.98	0.93
FV4BN(B)F005	0.96	0.93	58CV(A,X)135-22	0.98	CSPH**4212A**	0.98	0.92	58CV(A,X)135-22	0.98	CSPH**4212A**	0.98	0.92	58CV(A,X)135-22	0.98	0.92	58CV(A,X)135-22	0.98	0.92	58CV(A,X)135-22	0.98	0.92	58CV(A,X)135-22	0.98	0.92	58CV(A,X)135-22	0.98	0.92
FV4BN(B)F006	0.94	0.90	58CV(A,X)155-22	0.98	CAP**4224A**	0.98	0.93	58CV(A,X)155-22	0.98	CAP**4224A**	0.98	0.93	58CV(A,X)155-22	0.98	0.93	58CV(A,X)155-22	0.98	0.93	58CV(A,X)155-22	0.98	0.93	58CV(A,X)155-22	0.98	0.93	58CV(A,X)155-22	0.98	0.93
FX4CN(B)F042	1.00	0.96	58CV(A,X)155-22	0.98	CAP**4824A**	0.98	0.93	58CV(A,X)155-22	0.98	CAP**4824A**	0.98	0.93	58CV(A,X)155-22	0.98	0.93	58CV(A,X)155-22	0.98	0.93	58CV(A,X)155-22	0.98	0.93	58CV(A,X)155-22	0.98	0.93	58CV(A,X)155-22	0.98	0.93
FX4CN(B)F048	0.98	0.93	58CV(A,X)155-22	0.98	CNP**4221A**	0.98	0.97	58CV(A,X)155-22	0.98	CNP**4221A**	0.98	0.97	58CV(A,X)155-22	0.98	0.97	58CV(A,X)155-22	0.98	0.97	58CV(A,X)155-22	0.98	0.97	58CV(A,X)155-22	0.98	0.97	58CV(A,X)155-22	0.98	0.97
FY4ANF048	0.98	0.97	58CV(A,X)155-22	0.98	CNP**4824A**	0.98	0.93	58CV(A,X)155-22	0.98	CNP**4824A**	0.98	0.93	58CV(A,X)155-22	0.98	0.93	58CV(A,X)155-22	0.98	0.93	58CV(A,X)155-22	0.98	0.93	58CV(A,X)155-22	0.98	0.93	58CV(A,X)155-22	0.98	0.93
CAP**4224A**	1.01	1.02	58CV(A,X)155-22	0.98	CSPH**4212A**	0.98	0.94	58CV(A,X)155-22	0.98	CSPH**4212A**	0.98	0.94	58CV(A,X)155-22	0.98	0.94	58CV(A,X)155-22	0.98	0.94	58CV(A,X)155-22	0.98	0.94	58CV(A,X)155-22	0.98	0.94	58CV(A,X)155-22	0.98	0.94
CAP**4817A**	0.98	0.95	58CV(A,X)155-22	0.98	CSPH**4812A**	0.98	0.93	58CV(A,X)155-22	0.98	CSPH**4812A**	0.98	0.93	58CV(A,X)155-22	0.98	0.93	58CV(A,X)155-22	0.98	0.93	58CV(A,X)155-22	0.98	0.93	58CV(A,X)155-22	0.98	0.93	58CV(A,X)155-22	0.98	0.93
CAP**4821A**	1.00	0.96	58MEB040-12	0.99	CAP**4817A**	0.99	0.95	58MEB040-12	0.99	CAP**4817A**	0.99	0.95	58MEB040-12	0.99	0.95	58MEB040-12	0.99	0.95	58MEB040-12	0.99	0.95	58MEB040-12	0.99	0.95	58MEB040-12	0.99	0.95
CAP**4824A**	1.00	0.98	58MEB040-12	1.00	CNP**4221A**	1.00	1.00	58MEB040-12	1.00	CNP**4221A**	1.00	1.00	58MEB040-12	1.00	1.00	58MEB040-12	1.00	1.00	58MEB040-12	1.00	1.00	58MEB040-12	1.00	1.00	58MEB040-12	1.00	1.00
CNP**4818A**	1.00	0.99	58MEB040-12	1.01	CNP**4812A**	1.01	0.98	58MEB040-12	1.00	CNP**4812A**	1.00	0.98	58MEB040-12	1.00	0.98	58MEB040-12	1.00	0.98	58MEB040-12	1.00	0.98	58MEB040-12	1.00	0.98	58MEB040-12	1.00	0.98
CNP**4212A**	1.01	1.02	58MEB040-12	1.00	CNP**4217A**	1.00	0.97	58MEB040-12	1.00	CNP**4217A**	1.00	0.97	58MEB040-12	1.00	0.97	58MEB040-12	1.00	0.97	58MEB040-12	1.00	0.97	58MEB040-12	1.00	0.97	58MEB040-12	1.00	0.97
CNP**4812A**	1.00	0.97	58MEB040-12	1.01	CSPH**4212A**	1.01	0.96	58MEB040-12	1.01	CSPH**4212A**	1.01	0.96	58MEB040-12	1.01	0.96	58MEB040-12	1.01	0.96	58MEB040-12	1.01	0.96	58MEB040-12	1.01	0.96	58MEB040-12	1.01	0.96
CNP**4217A**	1.02	1.01	58MEB040-12	1.01	CSPH**4812A**	1.01	0.96	58MEB040-12	1.01	CSPH**4812A**	1.01	0.96	58MEB040-12	1.01	0.96	58MEB040-12	1.01	0.96	58MEB040-12	1.01	0.96	58MEB040-12	1.01	0.96	58MEB040-12	1.01	0.96
CNP**4212A**	1.01	1.02	58MEB040-12	1.01	CAP**4817A**	1.01	0.95	58MEB040-12	1.01	CAP**4817A**	1.01	0.95	58MEB040-12	1.01	0.95	58MEB040-12	1.01	0.95	58MEB040-12	1.01	0.95	58MEB040-12	1.01	0.95	58MEB040-12	1.01	0.95
CNP**4824A**	1.00	0.97	58MEB040-12	1.00	CNP**4821A**	1.00	0.97	58MEB040-12	1.00	CNP**4821A**	1.00	0.97	58MEB040-12	1.00	0.97	58MEB040-12	1.00	0.97	58MEB040-12	1.00	0.97	58MEB040-12	1.00	0.97	58MEB040-12	1.00	0.97
CSPH**4212A**	1.01	0.98	58MEB040-12	1.01	CNP**4217A**	1.01	0.98	58MEB040-12	1.01	CNP**4217A**	1.01	0.98	58MEB040-12	1.01	0.98	58MEB040-12	1.01	0.98	58MEB040-12	1.01	0.98	58MEB040-12	1.01	0.98	58MEB040-12	1.01	0.98
CSPH**4812A**	1.00	0.96	58CV(A,X)070-12	0.99	CSPH**4212A**	0.99	0.96	58CV(A,X)070-12	0.99	CSPH**4212A**	0.99	0.96	58CV(A,X)070-12	0.99	0.96	58CV(A,X)070-12	0.99	0.96	58CV(A,X)070-12	0.99	0.96	58CV(A,X)070-12	0.99	0.96	58CV(A,X)070-12	0.99	0.96
CNP**4821A**	0.99	1.01	58CV(A,X)070-12	0.98	CSPH**4812A**	0.99	0.96	58CV(A,X)070-12	0.99	CSPH**4812A**	0.99	0.96	58CV(A,X)070-12	0.99	0.96	58CV(A,X)070-12	0.99	0.96	58CV(A,X)070-12	0.99	0.96	58CV(A,X)070-12	0.99	0.96	58CV(A,X)070-12	0.99	0.96
CSPH**4212A**	0.98	0.96	58CV(A,X)090-16	0.99	CNP**4812A**	0.99	0.96	58CV(A,X)090-16	0.99	CNP**4812A**	0.99	0.96	58CV(A,X)090-16	0.99	0.96	58CV(A,X)090-16	0.99	0.96	58CV(A,X)090-16	0.99	0.96	58CV(A,X)090-16	0.99	0.96	58CV(A,X)090-16	0.99	0.96
CSPH**4812A**	0.99	0.97	58CV(A,X)090-16	0.99	CAP**4817A**	0.99	0.95	58CV(A,X)090-16	0.99	CAP**4817A**	0.99	0.95	58CV(A,X)090-16	0.99	0.95	58CV(A,X)090-16	0.99	0.95	58CV(A,X)090-16	0.99	0.95	58CV(A,X)090-16	0.99	0.95	58CV(A,X)090-16	0.99	0.95
CAP**4817A**	0.96	0.93	58CV(A,X)090-16	0.98	CNP**4217A**	0.99	1.00	58CV(A,X)090-16	0.99	CNP**4217A**	0.99	1.00	58CV(A,X)090-16	0.99	1.00	58CV(A,X)090-16	0.99	1.00	58CV(A,X)090-16	0.99	1.00	58CV(A					

# HEAT PUMP HEATING PERFORMANCE CONTINUED

25HBB32(A,W)30, 50, 60 Outdoor Section With F14ANF042 Indoor Section

HEATING INDOOR MODEL	CAPACITY	POWER	FURNACE MODEL
CSPH*4812A**	0.98	0.94	58MV(B,C)100-20
CAP**4224A**	0.98	0.99	58MV(B,C)120-20
CAP**4824A**	0.98	0.95	58MV(B,C)120-20
CNPH*4221A**	0.98	0.98	58MV(B,C)120-20
CNPH*4821A**	0.98	0.95	58MV(B,C)120-20
CNPV*4824A**	0.98	0.95	58MV(B,C)120-20
CSPH*4212A**	0.99	0.96	58MV(B,C)120-20
CSPH*4812A**	0.98	0.94	58MV(B,C)120-20
CAP**4817A**	0.99	0.97	58PH*070-16
CNPH*4221A**	1.01	1.04	58PH*070-16
CNPH*4821A**	1.00	0.98	58PH*070-16
CNPV*4217A**	1.01	1.02	58PH*070-16
CSPH*4212A**	1.00	0.98	58PH*070-16
CSPH*4812A**	1.00	0.97	58PH*070-16
CAP**4221A**	0.99	0.99	58PH*090-16
CAP**4821A**	0.99	0.95	58PH*090-16
CNPH*4221A**	0.99	0.99	58PH*090-16
CNPH*4821A**	0.99	0.94	58PH*090-16
CNPV*4221A**	0.99	0.99	58PH*090-16
CNPV*4821A**	1.00	0.95	58PH*090-16
CSPH*4212A**	0.99	0.95	58PH*090-16
CSPH*4812A**	0.99	0.94	58PH*090-16
CAP**4221A**	0.99	0.98	58PH*110-20
CAP**4821A**	0.99	0.94	58PH*110-20
CNPH*4221A**	0.99	0.99	58PH*110-20
CNPH*4821A**	0.99	0.94	58PH*110-20
CNPV*4221A**	0.99	0.99	58PH*110-20
CNPV*4821A**	1.00	0.95	58PH*110-20
CSPH*4212A**	0.99	0.94	58PH*110-20
CSPH*4812A**	0.99	0.94	58PH*110-20
CAP**4224A**	0.99	0.98	58PH*135-20
CAP**4824A**	0.99	0.94	58PH*135-20
CNPH*4221A**	0.99	1.00	58PH*135-20
CNPH*4821A**	0.99	0.94	58PH*135-20
CNPV*4824A**	1.00	0.95	58PH*135-20
CSPH*4212A**	0.99	0.95	58PH*135-20
CSPH*4812A**	0.99	0.94	58PH*135-20

See notes on page 55

HEAT PUMP HEATING PERFORMANCE CONTINUED

INDOOR AIR		OUTDOOR COIL ENTERING AIR TEMPERATURES ° F (° C)																							
		-3 (-19.4)			7 (-13.9)			17 (-8.3)			27 (-2.8)			37 (2.8)			47 (8.3)			57 (13.9)			67 (19.4)		
		Capacity MBtuh		Total Sys. KWT	Capacity MBtuh		Total Sys. KWT	Capacity MBtuh		Total Sys. KWT	Capacity MBtuh		Total Sys. KWT	Capacity MBtuh		Total Sys. KWT	Capacity MBtuh		Total Sys. KWT	Capacity MBtuh		Total Sys. KWT	Capacity MBtuh		Total Sys. KWT
EDB ° F (° C)	CFM	Total	Integ*	Total	Integ*	Total	Integ*	Total	Integ*	Total	Integ*	Total	Integ*	Total	Integ*	Total	Integ*	Total	Integ*	Total	Integ*	Total	Integ*	Total	
65 (18.3)	1400	20.81	19.15	3.06	25.42	23.36	3.19	30.38	27.70	3.32	35.87	31.86	3.47	42.17	38.37	3.62	48.31	48.31	3.79	54.67	54.67	3.98	57.60	57.60	4.06
	1600	21.19	19.50	3.11	25.83	23.74	3.22	30.81	28.09	3.34	36.40	32.33	3.47	42.62	38.79	3.60	48.38	48.38	3.74	52.00	52.00	3.83	53.71	53.71	3.86
	1800	21.55	19.83	3.16	26.21	24.08	3.26	31.20	28.45	3.37	36.89	32.77	3.50	42.78	38.93	3.60	48.08	48.08	3.73	49.39	49.39	3.74	50.69	50.69	3.76
70 (21.1)	1400	20.34	18.71	3.19	24.97	22.94	3.33	29.94	27.30	3.47	35.33	31.38	3.63	41.59	37.84	3.81	47.84	47.84	3.97	54.25	54.25	4.18	58.09	58.09	4.30
	1600	20.73	19.07	3.24	25.38	23.33	3.36	30.38	27.70	3.49	35.85	31.84	3.63	42.17	38.38	3.78	48.00	48.00	3.93	52.90	52.90	4.06	54.76	54.76	4.10
	1800	21.08	19.40	3.30	25.76	23.67	3.41	30.78	28.07	3.53	36.32	32.25	3.65	42.48	38.65	3.78	47.99	47.99	3.91	50.45	50.45	3.97	51.89	51.89	3.98
75 (23.9)	1400	19.84	18.25	3.33	24.49	22.50	3.48	29.50	26.89	3.63	34.84	30.94	3.80	41.03	37.33	4.01	47.37	47.37	4.17	53.77	53.77	4.39	56.58	56.58	4.55
	1600	20.23	18.61	3.38	24.91	22.89	3.51	29.94	27.30	3.65	35.31	31.36	3.80	41.61	37.87	3.96	47.60	47.60	4.12	53.57	53.57	4.30	55.57	55.57	4.34
	1800	20.59	18.94	3.43	25.29	23.24	3.56	30.34	27.67	3.68	35.77	31.77	3.82	42.06	38.28	3.96	47.67	47.67	4.10	51.31	51.31	4.20	52.92	52.92	4.22

25HBB348(A,W)30, 50, 60 Outdoor Section With FY4ANF048 Indoor Section

HEATING INDOOR MODEL	CAPACITY	POWER	FURNACE MODEL	HEATING INDOOR MODEL			CAPACITY			POWER			FURNACE MODEL			HEATING INDOOR MODEL	CAPACITY	POWER	FURNACE MODEL		
				INDOOR MODEL	POWER	FURNACE MODEL	INDOOR MODEL	POWER	FURNACE MODEL	INDOOR MODEL	POWER	FURNACE MODEL									
*FY4ANF048	1.00	1.00	58CV(A,X)090-16	CNPV*6024A**	0.98	0.94	58CV(A,X)155-22	0.98	0.94	58CV(A,X)155-22	0.98	0.94	58CV(A,X)155-22	CNPV*6024A**	0.99	0.97	58MV(B,C)120-20	CSPH*4812A**	0.97	0.96	58MV(B,C)120-20
FE4ANB006	0.97	0.91	58CV(A,X)090-16	CNPV*4824A**	0.98	0.94	58CV(A,X)155-22	0.98	0.94	58CV(A,X)155-22	0.98	0.94	58CV(A,X)155-22	CNPV*4824A**	0.99	0.96	58MV(B,C)120-20	CSPH*6012A**	0.98	0.96	58MV(B,C)120-20
FV4BNB006	0.97	0.94	58CV(A,X)090-16	CSPH*4812A**	1.00	0.96	58CV(A,X)155-22	1.00	0.96	58CV(A,X)155-22	1.00	0.96	58CV(A,X)155-22	CSPH*4812A**	1.01	0.93	58PH*070-16	CNPV*4821A**	1.00	0.98	58PH*070-16
FV4BNB006	0.97	0.91	58CV(A,X)090-16	CSPH*6012A**	0.98	0.93	58CV(A,X)155-22	0.98	0.93	58CV(A,X)155-22	0.98	0.93	58CV(A,X)155-22	CSPH*6012A**	1.00	0.98	58PH*090-16	CAP**4821A**	1.00	0.95	58PH*090-16
FX4CN(B,F)048	0.99	0.95	58CV(A,X)090-16	CAP**4817A**	1.00	0.98	58MEB080-16	1.00	0.98	58MEB080-16	1.00	0.98	58MEB080-16	CAP**4817A**	1.01	0.98	58PH*090-16	CNPV*4821A**	1.00	0.99	58PH*090-16
FX4CN(B,F)060	0.96	0.91	58CV(A,X)090-16	CNPV*4821A**	1.01	1.00	58MEB080-16	1.01	1.00	58MEB080-16	1.01	1.00	58MEB080-16	CNPV*4821A**	1.00	0.99	58PH*090-16	CNPV*4821A**	1.00	0.99	58PH*090-16
FY4ANB060	0.96	0.96	58CV(A,X)090-16	CNPV*6024A**	1.00	0.98	58MEB080-16	1.00	0.98	58MEB080-16	1.00	0.98	58MEB080-16	CNPV*6024A**	1.00	0.99	58PH*090-16	CNPV*4821A**	1.00	0.99	58PH*090-16
CAP**4817A**	1.00	0.99	58CV(A,X)090-16	CSPH*4812A**	1.01	0.99	58MEB060-16	1.01	0.99	58MEB060-16	1.01	0.99	58MEB060-16	CSPH*4812A**	1.00	0.99	58PH*090-16	CNPV*4821A**	1.00	0.99	58PH*090-16
CAP**4821A**	1.00	0.98	58CV(A,X)090-16	CSPH*6012A**	0.99	0.95	58MEB080-16	0.99	0.95	58MEB080-16	0.99	0.95	58MEB080-16	CSPH*6012A**	1.00	0.98	58PH*090-16	CNPV*4821A**	1.00	0.99	58PH*090-16
CAP**6021A**	0.95	0.96	58CV(A,X)090-16	CAP**4821A**	1.00	0.98	58MEB100-20	1.00	0.98	58MEB100-20	1.00	0.98	58MEB100-20	CAP**4821A**	1.00	0.98	58PH*090-16	CSPH*4812A**	1.00	0.98	58PH*090-16
CAP**6024A**	0.95	0.96	58CV(A,X)090-16	CNPV*4821A**	1.00	0.98	58MEB100-20	1.00	0.98	58MEB100-20	1.00	0.98	58MEB100-20	CNPV*4821A**	1.00	0.99	58PH*090-16	CAP**4821A**	1.00	0.95	58PH*090-16
CNPV*4818A**	1.00	1.03	58CV(A,X)090-16	CNPV*6024A**	0.99	0.98	58MEB100-20	0.99	0.98	58MEB100-20	0.99	0.98	58MEB100-20	CNPV*6024A**	0.99	0.94	58PH*110-20	CAP**6021A**	1.00	0.97	58PH*110-20
CNPV*4821A**	1.00	0.98	58CV(A,X)090-16	CNPV*4821A**	0.99	0.97	58MEB100-20	0.99	0.97	58MEB100-20	0.99	0.97	58MEB100-20	CNPV*4821A**	1.00	0.98	58PH*110-20	CNPV*4821A**	1.00	0.98	58PH*110-20
CNPV*6024A**	1.00	0.98	58CV(A,X)090-16	CSPH*4812A**	1.00	0.97	58MEB100-20	1.00	0.97	58MEB100-20	1.00	0.97	58MEB100-20	CSPH*4812A**	1.00	0.98	58PH*110-20	CNPV*6024A**	1.00	0.98	58PH*110-20
CSPH*4812A**	1.00	0.96	58CV(A,X)090-16	CAP**4824A**	0.99	0.96	58MEB120-20	0.99	0.96	58MEB120-20	0.99	0.96	58MEB120-20	CAP**4824A**	0.99	0.95	58PH*135-20	CNPV*4821A**	1.00	0.98	58PH*135-20
CSPH*4812A**	1.00	0.97	58CV(A,X)090-16	CNPV*6024A**	0.99	0.96	58MEB120-20	0.99	0.96	58MEB120-20	0.99	0.96	58MEB120-20	CNPV*6024A**	0.99	0.95	58PH*135-20	CAP**4824A**	1.00	0.98	58PH*135-20
CAP**4821A**	1.00	0.97	58CV(A,X)090-16	CNPV*4821A**	0.99	0.96	58MEB120-20	0.99	0.96	58MEB120-20	0.99	0.96	58MEB120-20	CNPV*4821A**	1.00	0.99	58PH*135-20	CNPV*4821A**	1.00	0.98	58PH*135-20
CAP**4821A**	1.00	0.97	58CV(A,X)090-16	CNPV*6024A**	0.99	0.96	58MEB120-20	0.99	0.96	58MEB120-20	0.99	0.96	58MEB120-20	CNPV*6024A**	0.99	0.95	58PH*135-20	CNPV*4821A**	1.00	0.98	58PH*135-20
CNPV*4821A**	1.00	0.99	58CV(A,X)090-16	CNPV*4821A**	0.99	0.96	58MEB120-20	0.99	0.96	58MEB120-20	0.99	0.96	58MEB120-20	CNPV*4821A**	1.00	0.99	58PH*135-20	CNPV*4821A**	1.00	0.98	58PH*135-20
CNPV*4821A**	1.00	0.99	58CV(A,X)090-16	CSPH*4812A**	1.00	0.96	58MEB120-20	1.00	0.96	58MEB120-20	1.00	0.96	58MEB120-20	CSPH*4812A**	1.00	0.99	58PH*135-20	CNPV*4821A**	1.00	0.98	58PH*135-20
CNPV*4821A**	1.00	0.99	58CV(A,X)090-16	CSPH*6012A**	1.00	0.96	58MEB120-20	1.00	0.96	58MEB120-20	1.00	0.96	58MEB120-20	CSPH*6012A**	1.00	0.99	58PH*135-20	CNPV*4821A**	1.00	0.98	58PH*135-20
CNPV*4821A**	1.00	0.99	58CV(A,X)090-16	CAP**4821A**	1.00	0.96	58MEB120-20	1.00	0.96	58MEB120-20	1.00	0.96	58MEB120-20	CAP**4821A**	1.00	0.99	58PH*135-20	CNPV*4821A**	1.00	0.98	58PH*135-20
CNPV*4821A**	1.00	0.99	58CV(A,X)090-16	CNPV*4821A**	1.00	0.96	58MEB120-20	1.00	0.96	58MEB120-20	1.00	0.96	58MEB120-20	CNPV*4821A**	1.00	0.99	58PH*135-20	CNPV*4821A**	1.00	0.98	58PH*135-20
CNPV*4821A**	1.00	0.99	58CV(A,X)090-16	CNPV*4821A**	1.00	0.96	58MEB120-20	1.00	0.96	58MEB120-20	1.00	0.96	58MEB120-20	CNPV*4821A**	1.00	0.99	58PH*135-20	CNPV*4821A**	1.00	0.98	58PH*135-20
CNPV*4821A**	1.00	0.99	58CV(A,X)090-16	CNPV*4821A**	1.00	0.96	58MEB120-20	1.00	0.96	58MEB120-20	1.00	0.96	58MEB120-20	CNPV*4821A**	1.00	0.99	58PH*135-20	CNPV*4821A**	1.00	0.98	58PH*135-20
CNPV*4821A**	1.00	0.99	58CV(A,X)090-16	CNPV*4821A**	1.00	0.96	58MEB120-20	1.00	0.96	58MEB120-20	1.00	0.96	58MEB120-20	CNPV*4821A**	1.00	0.99	58PH*135-20	CNPV*4821A**	1.00	0.98	58PH*135-20
CNPV*4821A**	1.00	0.99	58CV(A,X)090-16	CNPV*4821A**	1.00	0.96	58MEB120-20	1.00	0.96	58MEB120-20	1.00	0.96	58MEB120-20	CNPV*4821A**	1.00	0.99	58PH*135-20	CNPV*4821A**	1.00	0.98	58PH*135-20
CNPV*4821A**	1.00	0.99	58CV(A,X)090-16	CNPV*4821A**	1.00	0.96	58MEB120-20	1.00	0.96	58MEB120-20	1.00	0.96	58MEB120-20	CNPV*4821A**	1.00	0.99	58PH*135-20	CNPV*4821A**	1.00	0.98	58PH*135-20
CNPV*4821A**	1.00	0.99	58CV(A,X)090-16	CNPV*4821A**	1.00	0.96	58MEB120-20	1.00	0.96	58MEB120-20	1.00	0.96	58MEB120-20	CNPV*4821A**	1.00	0.99	58PH*135-20	CNPV*4821A**	1.00	0.98	58PH*135-20
CNPV*4821A**	1.00	0.99	58CV(A,X)090-16	CNPV*4821A**	1.00	0.96	58MEB120-20	1.00	0.96	58MEB120-20	1.00	0.96	58MEB120-20	CNPV*4821A**	1.00	0.99	58PH*135-20	CNPV*4821A**	1.00	0.98	58PH*135-20
CNPV*4821A**	1.00	0.99	58CV(A,X)090-16	CNPV*4821A**	1.00	0.96	58MEB120-20	1.00	0.96	58MEB120-20	1.00	0.96	58MEB120-20	CNPV*4821A**	1.00	0.99	58PH*135-20	CNPV*4821A**	1.00	0.98	

# HEAT PUMP HEATING PERFORMANCE CONTINUED

INDOOR AIR		OUTDOOR COIL ENTERING AIR TEMPERATURES ° F (° C)																						
		-3 (-19.4)		7 (-13.9)		17 (-8.3)		27 (-2.8)		37 (2.8)		47 (8.3)		57 (13.9)		67 (19.4)								
EDB ° F (° C)	CFM	Capacity MBtuh		Total Sys. KWT		Capacity MBtuh		Total Sys. KWT		Capacity MBtuh		Total Sys. KWT		Capacity MBtuh		Total Sys. KWT								
		Total	Integ*	Total	Integ*	Total	Integ*	Total	Integ*	Total	Integ*	Total	Integ*	Total	Integ*	Total	Integ*							
<b>25HBB360(A,W)30, 51, 61 Outdoor Section With FY4ANB060 Indoor Section</b>																								
65 (18.3)	1750	24.06	22.14	2.98	30.37	27.90	3.14	33.74	3.31	44.09	39.16	3.49	51.99	47.31	3.70	60.58	60.58	3.88	68.82	68.82	4.11	77.46	77.46	4.36
	2000	24.32	22.37	2.95	30.63	28.14	3.10	37.33	3.24	44.47	39.50	3.41	52.57	47.84	3.59	60.71	60.71	3.75	68.81	68.81	3.94	75.63	75.63	4.11
	2250	24.52	22.56	2.93	30.87	28.37	3.06	37.59	34.27	44.78	39.77	3.35	53.02	48.24	3.50	60.66	60.66	3.65	68.43	68.43	3.82	72.29	72.29	3.89
70 (21.1)	1750	23.20	21.34	3.13	29.59	27.19	3.31	36.29	33.09	43.39	38.54	3.68	51.21	46.80	3.91	59.77	59.77	4.10	67.95	67.95	4.33	76.55	76.55	4.60
	2000	23.45	21.58	3.10	29.88	27.46	3.27	36.63	33.40	43.77	38.87	3.60	51.69	47.04	3.80	60.02	60.02	3.96	68.06	68.06	4.16	75.59	75.59	4.36
	2250	23.66	21.77	3.08	30.11	27.67	3.23	36.88	33.62	44.07	39.14	3.54	52.16	47.47	3.70	60.03	60.03	3.86	67.84	67.84	4.04	72.73	72.73	4.14
75 (23.9)	1750	22.27	20.49	3.29	28.76	26.42	3.48	35.52	32.36	42.68	37.91	3.88	50.42	45.89	4.12	58.93	58.93	4.32	67.07	67.07	4.57	75.59	75.59	4.84
	2000	22.53	20.73	3.26	29.05	26.70	3.44	35.84	32.68	43.07	38.25	3.80	50.92	46.34	4.01	59.25	59.25	4.18	67.27	67.27	4.39	75.25	75.25	4.61
	2250	22.74	20.92	3.24	29.29	26.92	3.41	36.12	32.93	43.36	38.51	3.74	51.40	46.77	3.92	59.39	59.39	4.07	67.19	67.19	4.26	72.81	72.81	4.39
HEATING INDOOR MODEL		CAPACITY		POWER		FURNACE MODEL		HEATING INDOOR MODEL		CAPACITY		POWER		FURNACE MODEL		HEATING INDOOR MODEL		CAPACITY		POWER		FURNACE MODEL		
*FY4ANB060		1.00		1.00		58CV(A,X)135-22		CSPH*6012A**		0.99		0.97		58CV(A,X)135-22		CSPH*6012A**		1.00		1.01		58MV(B,C)100-20		
FY4ANB006		0.98		0.94		58CV(A,X)155-22		CAP**6024A**		0.98		0.97		58CV(A,X)155-22		CAP**6024A**		0.99		1.01		58MV(B,C)120-20		
FX4CNB F060		0.99		0.96		58CV(A,X)155-22		CNPV*6024A**		0.99		0.99		58CV(A,X)155-22		CNPV*6024A**		1.00		1.03		58MV(B,C)120-20		
CAP**6021A**		0.99		0.99		58CV(A,X)110-20		CSPH*6012A**		0.99		0.97		58CV(A,X)155-22		CSPH*6012A**		1.00		1.01		58MV(B,C)120-20		
CAP**6024A**		1.00		1.01		58CV(A,X)110-20		CNPV*6024A**		0.99		1.03		58MEB080-16		CAP**6024A**		0.99		0.99		58PH*090-16		
CNPV*6024A**		1.00		1.01		58CV(A,X)110-20		CSPH*6012A**		0.99		1.01		58MEB080-16		CNPV*6024A**		0.99		1.01		58PH*090-16		
CSPH*6012A**		1.00		0.99		58CV(A,X)110-20		CAP**6021A**		0.98		0.99		58MEB100-20		CSPH*6012A**		0.99		0.99		58PH*090-16		
CAP**6021A**		0.99		0.99		58CV(A,X)110-20		CNPV*6024A**		0.99		1.01		58MEB100-20		CNPV*6024A**		0.98		0.98		58PH*110-20		
CNPV*6024A**		0.99		0.99		58CV(A,X)110-20		CSPH*6012A**		0.99		0.99		58MEB100-20		CSPH*6012A**		0.99		1.00		58PH*110-20		
CNPV*6024A**		0.99		1.00		58CV(A,X)110-20		CAP**6024A**		0.98		0.98		58MEB120-20		CAP**6024A**		0.99		0.97		58PH*110-20		
CSPH*6012A**		1.00		0.99		58CV(A,X)110-20		CNPV*6024A**		0.98		0.99		58MEB120-20		CNPV*6024A**		0.98		0.99		58PH*135-20		
CAP**6024A**		0.98		0.98		58CV(A,X)135-22		CSPH*6012A**		0.99		0.99		58MEB120-20		CNPV*6024A**		0.99		1.01		58PH*135-20		
CNPV*6024A**		0.99		1.00		58CV(A,X)135-22		CAP**6021A**		0.99		1.01		58MV(B,C)100-20		CSPH*6012A**		0.99		0.98		58PH*135-20		

**NOTE:** When the required data falls between the published data, interpolation may be performed. Extrapolation is not an acceptable practice.

\* The Btuh heating capacity values shown are net integrated values from which the defrost effect has been subtracted. The Btuh heating from supplement heaters should be added to these values to obtain total system capacity.

† The kW values include the compressor, outdoor fan motor, and indoor blower motor. The kW from supplement heaters should be added to these values to obtain total system kilowatts.

EDB — Entering Dry Bulb

### System Description

Outdoor-mounted, air-cooled, split-system heat pump unit suitable for ground or rooftop installation. Unit consists of a hermetic compressor, an air-cooled coil, propeller-type condenser fan, and a control box. Unit will discharge supply air upward as shown on contract drawings. Unit will be used in a refrigeration circuit to match up to a packaged fan coil or coil unit.

### Quality Assurance

- Unit will be rated in accordance with the latest edition of AHRI Standard 240.
- Unit will be certified for capacity and efficiency, and listed in the latest AHRI directory.
- Unit construction will comply with latest edition of ANSI/ASHRAE and with NEC.
- Unit will be constructed in accordance with UL standards and will carry the UL label of approval. Unit will have C-UL approval.
- Unit cabinet will be capable of withstanding Federal Test Method Standard No. 141 (Method 6061) 500-hr salt spray test.
- Air-cooled condenser coils are pressure tested and the outdoor unit is leak tested.
- Unit constructed in ISO9001 approved facility.

### Delivery, Storage, and Handling

- Unit will be shipped as single package only and is stored and handled per unit manufacturer's recommendations.

### Warranty (for inclusion by specifying engineer)

- U.S. and Canada only.

## PRODUCTS

### Equipment

- Factory assembled, single piece, air-cooled heat pump unit. Contained within the unit enclosure is all factory wiring, piping, controls, compressor, refrigerant charge Puron® (R-410A), and special features required prior to field start-up.

### Unit Cabinet

- Unit cabinet will be constructed of galvanized steel, bonderized, and coated with a powder coat paint.

### Fans

- Condenser fan will be direct-drive propeller type, discharging air upward.
- Condenser fan motors will be totally enclosed, 1-phase type with class B insulation and permanently lubricated bearings.
- Shafts will be corrosion resistant.
- Fan blades will be statically and dynamically balanced.
- Condenser fan openings will be equipped with steel wire safety guards.

### Compressor

- Compressor will be hermetically sealed.
- Compressor will be mounted on rubber vibration isolators.

### Condenser Coil

- Condenser coil will be air cooled.
- Coil will be constructed of aluminum fins mechanically bonded to copper tubes which are then cleaned, dehydrated, and sealed.

### Refrigeration Components

- Refrigeration circuit components will include liquid-line shutoff valve with sweat connections, vapor-line shutoff valve with sweat connections, system charge of Puron® (R-410A) refrigerant, POE compressor oil, accumulator, and reversing valve.

### Operating Characteristics

- The capacity of the unit will meet or exceed \_\_\_\_\_ Btuh at a suction temperature of \_\_\_\_\_ °F/°C. The power consumption at full load will not exceed \_\_\_\_\_ kW.
- Combination of the unit and the evaporator or fan coil unit will have a total net cooling capacity of \_\_\_\_\_ Btuh or greater at conditions of \_\_\_\_\_ CFM entering air temperature at the evaporator at \_\_\_\_\_ °F wet bulb and \_\_\_\_\_ °F/°C dry bulb, and air entering the unit at \_\_\_\_\_ °F/°C.
- The system will have a SEER of \_\_\_\_\_ Btuh/watt or greater at DOE conditions.

### Electrical Requirements

- Nominal unit electrical characteristics will be \_\_\_\_\_ v, single phase, 60 hz. The unit will be capable of satisfactory operation within voltage limits of \_\_\_\_\_ v to \_\_\_\_\_ v.
- Nominal unit electrical characteristics will be \_\_\_\_\_ v, three phase, 60 hz. The unit will be capable of satisfactory operation within voltage limits of \_\_\_\_\_ v to \_\_\_\_\_ v.
- Unit electrical power will be single point connection.
- Control circuit will be 24v.

### Special Features

- Refer to section of this literature identifying accessories and descriptions for specific features and available enhancements.