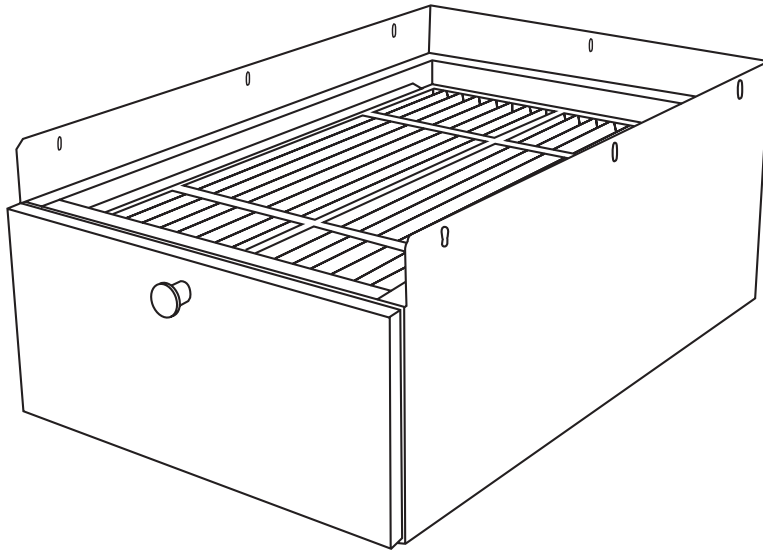




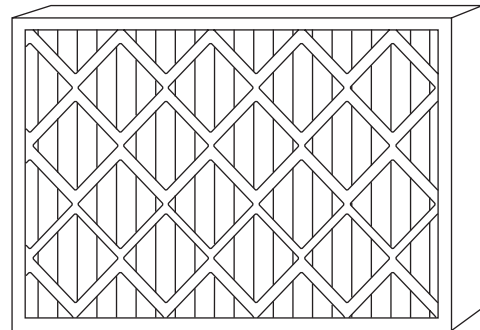
# Product Data

## **FNCCAB & FILCCFNC** **High Efficiency** **Fan Coil Filtration**

Sizes 014, 017, 021 & 024



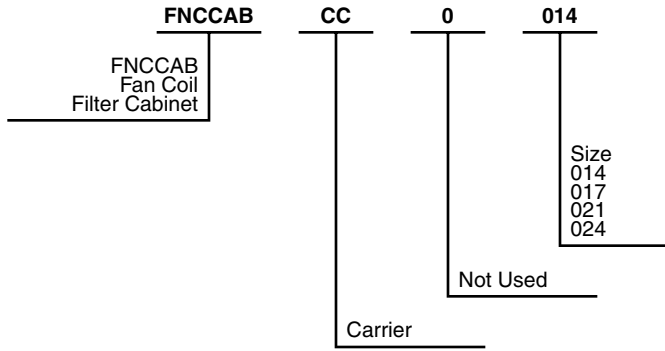
**FNCCAB Filter Cabinet**



**FILCCFNC Media Filter**

# FNCCAB

## Model number nomenclature



## Model FNCCAB

The FNCCAB Mechanical Air Cleaner cleans the air of dust, pollen, and smoke which helps keep homes cleaner and fresher longer.

### FEATURES/BENEFITS

**EASY FILTER ACCESS** — Using the FNCCAB air cleaner allows homeowners easy filter access on their fan coil system. They will no longer have to go inside the fan coil to access or change the filter.

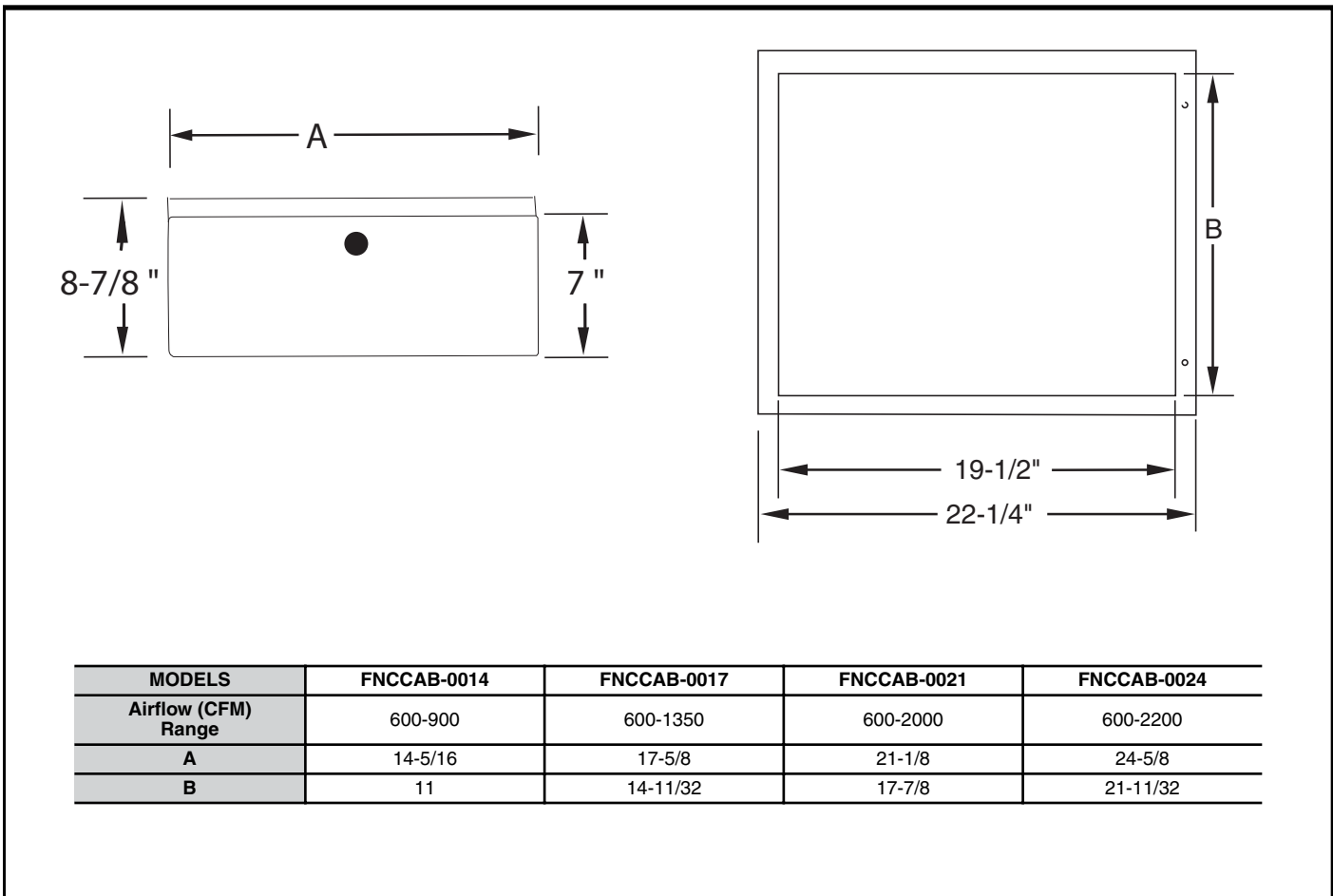
**INSULATED CABINET**— R4.2 insulation

**IMPROVED INDOOR FILFNC AIR QUALITY (IAQ)**— The FILFNC filter, included with the FNCCAB media cabinet, provides MERV 8 air cleaning efficiency for improved IAQ.

**TROUBLE-FREE INSTALLATION** — No electricity is required.

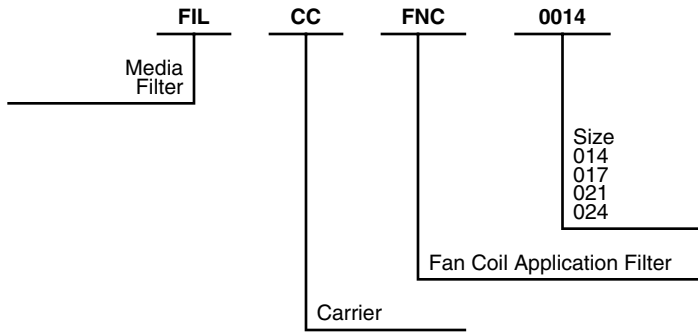
**NEARLY MAINTENANCE FREE OPERATION** — The only maintenance required is replacing the media filter cartridge when needed – before each heating or cooling season or at least once a year, depending on conditions.

## Dimensions



# FILCCFNC

## Model number nomenclature



## Model FILCCFNC

This filter’s Minimum Efficiency Reporting Value (MERV) is specified by ASHRAE Standard 52.2. It is based on lab tests to determine the filter’s ability to trap particles. MERVs for residential filters will typically be in the range of MERV 1-10. The higher the value, the more efficient the filter. MERV 8 filters have a minimum of 70% particle collection efficiency in the 3-10 micron particle size range. (Human hair is approximately 50-100 microns in diameter.) All four sizes of filters reach a MERV 8.

### FEATURES/BENEFITS

**LARGE DUST HOLDING CAPACITY** — These filters accommodate between 13 and 25 sq. ft. of filter media into a

unique low-pressure drop design — providing some of the largest dust-holding capacities available in efficient residential air cleaners today.

The exceptionally large surface area traps dust, pollen, molds, tobacco smoke, grease, soot, bacteria, and animal dander to provide cleaner, fresher air that is free of airborne pollutants and irritants regardless of the season.

**EXCEPTIONAL SYSTEM PERFORMANCE**— For optimum system performance use the FNCCAB & Carrier FILCCFNC high efficiency media filter designed especially for Carrier furnaces.

## Replacement Filters

### REPLACEMENT FILTERS

ORDER NUMBER	FILCCFNC0014	FILCCFNC0017	FILCCFNC0021	FILCCFNC0024
Quantity per Carton	2	2	2	2

### DIMENSIONS (In.)

PRODUCT NUMBER	MEDIA AREA (GROSS)	DIMENSIONS (In.) TOLERANCE +/-0.125"
FILCCFNC0014	≥13.05 sq. ft.	19.8125 x 12.175 x 4.3125
FILCCFNC0017	≥17.8 sq. ft.	19.8125 x 15.625 x 4.3125
FILCCFNC0021	≥20.17 sq. ft.	19.8125 x 19.125 x 4.3125
FILCCFNC0024	≥24.9 sq. ft.	19.8125 x 22.625 x 4.3125

# FILCCFNC

## Physical data

SIZE	014	017	021	024
RATED AIRFLOW	900	1350	2000	2200
MERV	8	8	8	8
DUST HOLDING CAPACITY (grams) <sup>2</sup>	68	90	105	130
ATMOSPHERIC DUST SPOT EFFICIENCY	41	41	41	41
TYPICAL STATIC PRESSURE DROP (in. wc.) (Clean@rated airflow)	.20	.23	.28	.25
FILTER MEDIA	Polyolefin			
SHIPPING WEIGHT (2 pack)	5	6	6-1/2	7

PLEATED MEDIA FILTER	EFFICIENCY <sup>1</sup>
14-in. FILCCFNC0014	E1: 24.4%
	E2: 55.4%
	E3: 70.9%
17-in. FILCCFNC0017	E1: 24.4%
	E2: 55.4%
	E3: 70.9%
21-in. FILCCFNC0021	E1: 24.4%
	E2: 55.4%
	E3: 70.9%
24-in. FILCCFNC0024	E1: 24.4%
	E2: 55.4%
	E3: 70.9%

Notes:

- Minimum Efficiency Reporting Value (MERV) per ASHRAE 52.2 (Exceeds proposed ASHRAE 62.2p requirement for manufacturers to provide a filter with a MERV rating of at least 6.  
 E1: MINIMUM Average Efficiency for particles sized between 0.3 and 1 micron.  
 E2: MINIMUM Average Efficiency for particles sized between 1 and 3 microns.  
 E3: MINIMUM Average Efficiency for particles sized between 3 and 10 microns.
- At 0.5-in. pressure drop and 500FPM per ASHRAE 52.1.

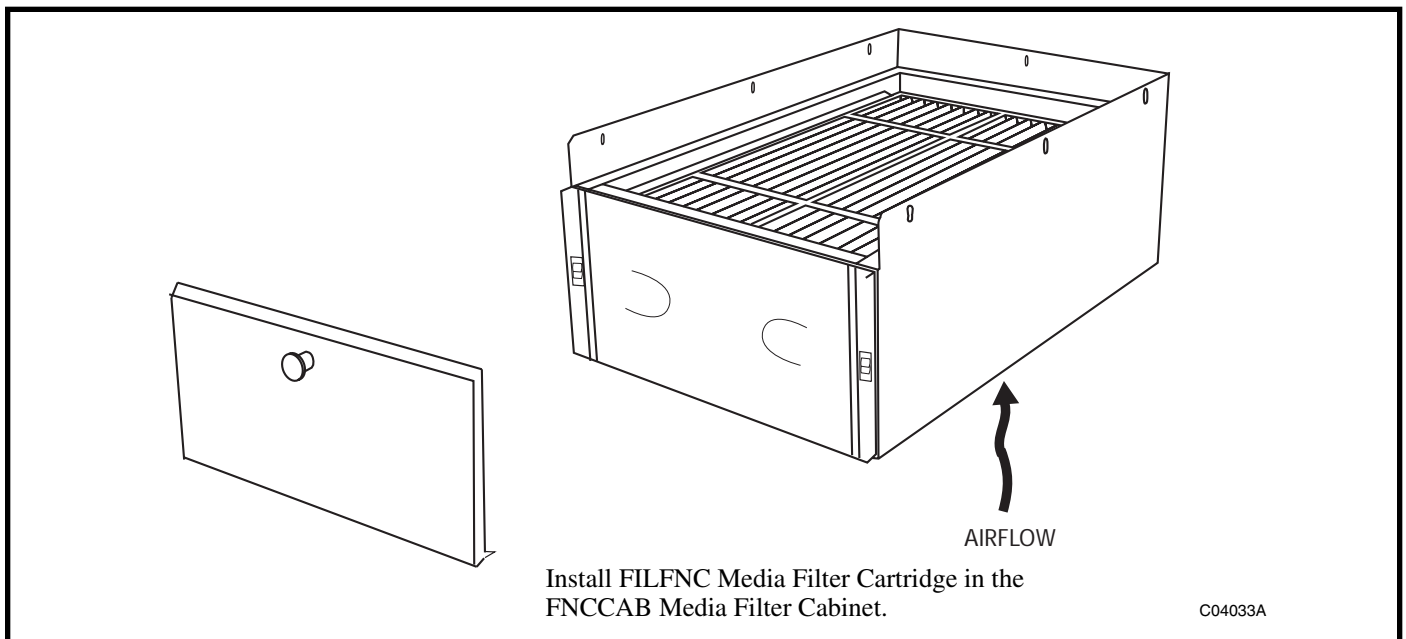
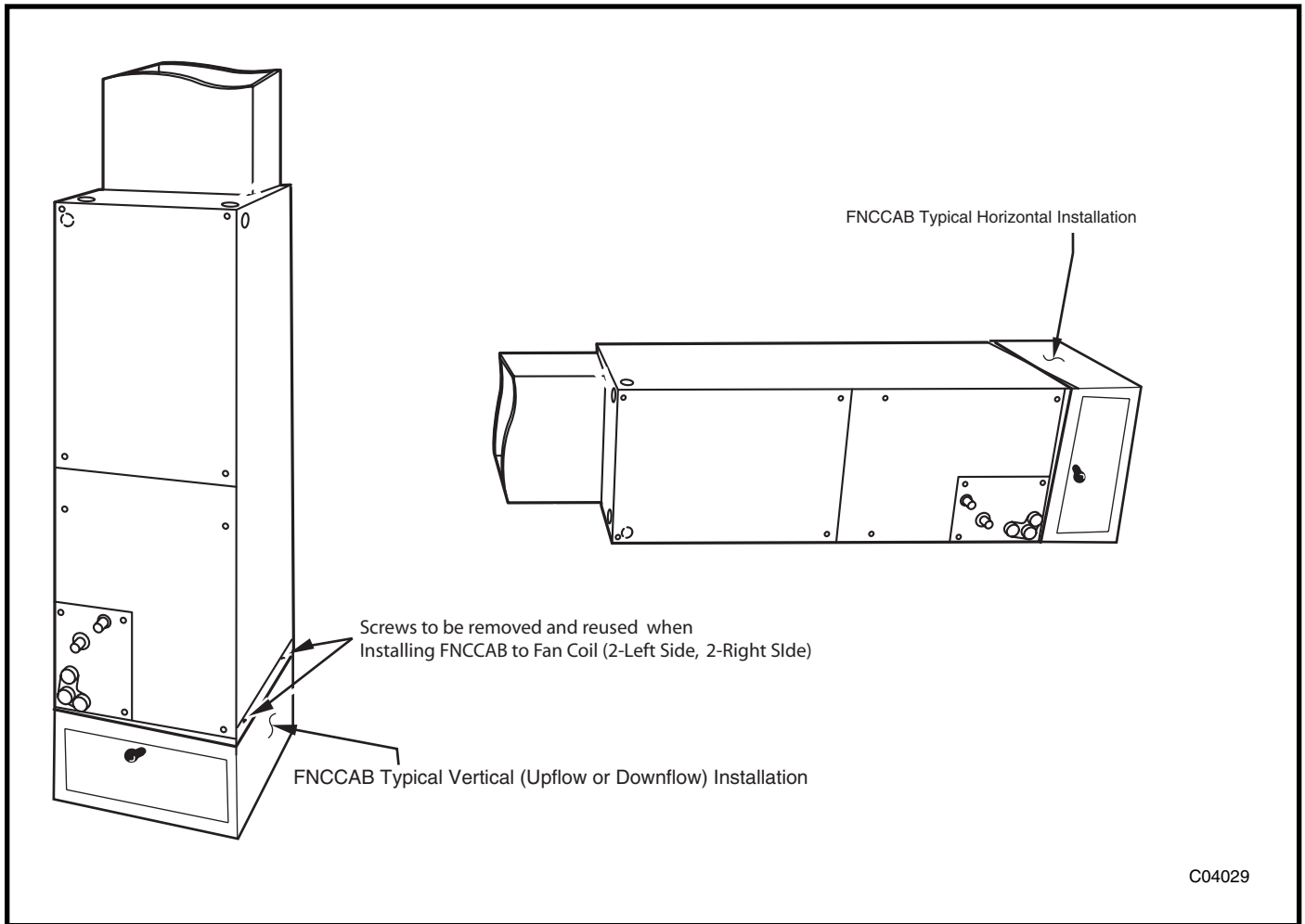
## Pressure drop

### PRESSURE DROP AT VARIOUS AIRFLOWS (CLEAN)

Table 1—FILCCFNC Typical Pressure Drop

TYPICAL PRESSURE DROP					
Air Flow (CFM) Range	Model Number	FILCCFNC0014	FILCCFNC0017	FILCCFNC0021	FILCCFNC0024
	Typical Factory Supplied Filter				
	Resistance (in. w.c.)				
600	.044	.125	.060	.040	.015
800	.075	.150	.090	.060	.030
1000	.072	.250	.125	.070	.040
1200	.100	—	.180	.090	.060
1400	.092	—	.250	.140	.090
1600	.120	—	—	.187	.125
1800	.152	—	—	.230	.150
2000	.187	—	—	.280	.190
2200	—	—	—	—	.250

# Typical installations









**Manufacturer reserves the right to discontinue, or change at any time, specifications or designs without notice and without incurring obligations.**